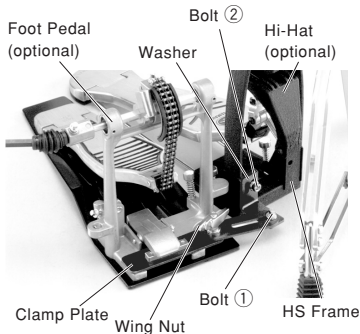


Thank you for purchasing the Yamaha HSAT930 Hi-Hat Attachment. The HSAT930 is specifically designed for use with the Yamaha HS1100 or HS1000 Hi-Hat Stands. To obtain maximum performance and longevity from this product, please read this Owner's Manual thoroughly.



When attached to the hi-hat stand (HS1100 or HS1000), this product delivers improved foot pedal stability.

[Procedure]

- 1) Loosen the bolt ① and wing nut.
- 2) With the bolt ②, loosely fasten the attachment onto the hi-hat stand frame. (Do not tighten the bolt at this time.)
- 3) Secure the foot pedal to the clamp plate.
- 4) Set the foot pedal to the position you prefer.
- 5) After the position of the foot pedal has been determined, tighten the wing nut.
- 6) Next, tighten the bolt ①.
- 7) Finally, tighten the bolt ② with the supplied L-shaped drum key.