

Overview

The Yamaha MY16-AE is an optional digital I/O card for compatible Yamaha digital mixing consoles and signal processors. It provides 16 inputs and 16 outputs for 24-bit, 44.1/48 kHz uncompressed AES/EBU compliant digital audio.



Features

- 24bit resolution, 16-in/16-out AES/EBU interface (8-in/8-out at 96kHz)
- 2 x D-sub 25 pin connectors
- Dimensions: 120mm x 40mm x 176mm (4.7" x 1.6" x 6.9")

Specifications

General Specifications

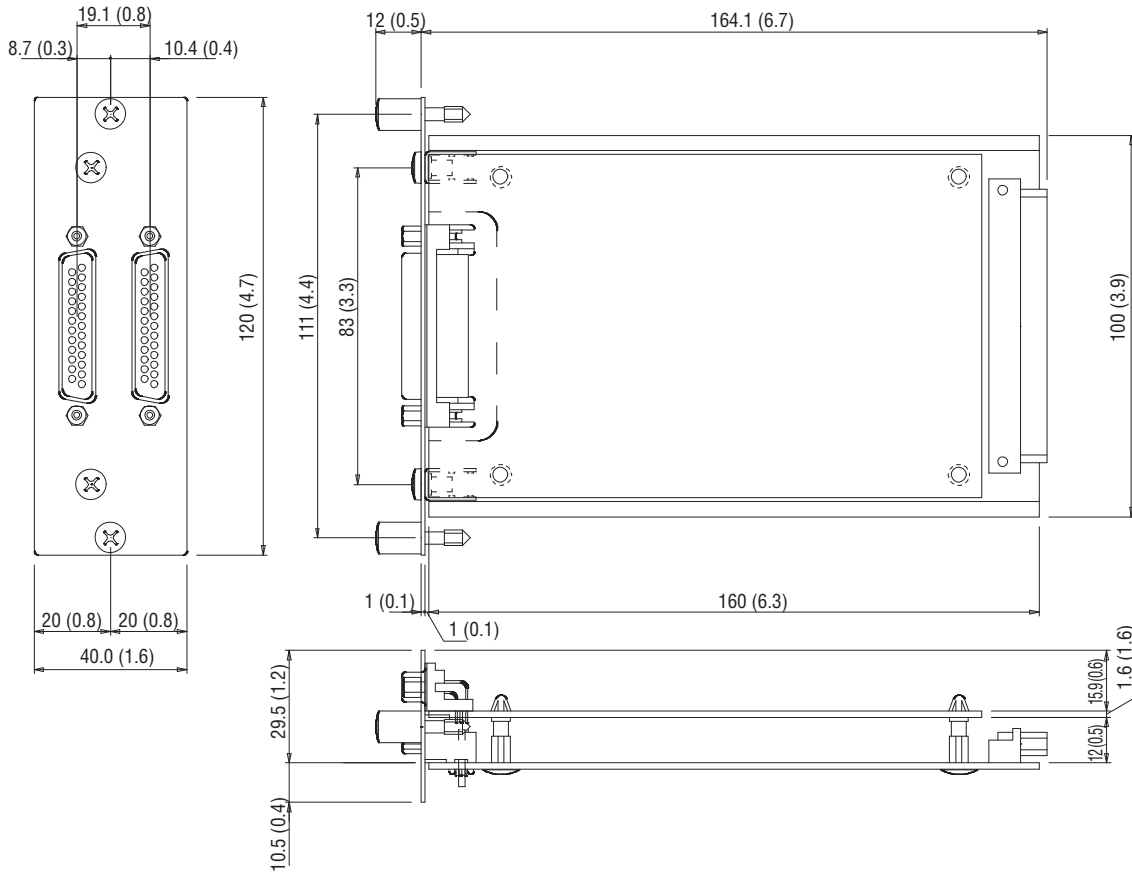
Channel Count	16IN / 16OUT
Format	AES/EBU
Connector	2 x D-sub 25 pin
Resolution	24bit

Pin Assignment

Signal		Data In Ch				Date Out Ch				Open	GND
		1-2 9-10	3-4 11-12	5-6 13-14	7-8 15-16	1-2 9-10	3-4 11-12	5-6 13-14	7-8 15-16		
Pin	Hot	1	2	3	4	5	6	7	8	9, 11	10, 12, 13, 22, 23, 24, 25
	Cold	14	15	16	17	18	19	20	21		

Dimensions

Unit: mm (inch)



Architectural and Engineering Specifications

The Yamaha MY16-AE shall be an optional digital I/O card for compatible Yamaha digital mixing consoles and signal processors. It shall provide 16 inputs and 16 outputs for 24-bit, 44.1/48 kHz uncompressed AES/EBU compliant digital audio. Two D-sub 25-pin connectors shall be provided for input and output connection. Dimensions shall be 120 (W) x 40 (H) x 176 (D) mm.

*All information subject to change without notice.

*All trademarks and registered trademarks are property of their respective owners.

Created in March, 2017

YAMAHA CORPORATION
P.O.BOX 1, Hamamatsu Japan
www.yamahaproaudio.com