

A-S3000

Integrated Amplifier



A Living Tradition in Sound

A piano comes into this world through the perfect synergy of advanced technical skill and artistry. Such a piano can create sound that truly reflects the player's feelings.

The final stage in piano production is called "voicing". It is here that the instrument is given its soul.

A highly skilled expert concentrates his mind and sensitivity on the sound of each key, finely adjusting the dynamic feel of the hammers, bringing the tone and vibrancy of all 88 keys together perfectly; a truly stunning achievement.

It is a quality of sound that can only be determined by an astute, sensitive ear. We apply this very same concept to the manufacture of our audio products. The technician performs exhaustive listening tests and every component is considered, in order to finally achieve the ideal sound.

Yamaha's tradition of audio quality stretches back over 125 years, and continues to live on in all Yamaha products today.



Excellence in Audio Achievement

1920-
1960s

• **First HiFi System introduced in 1920**

We introduced numerous HiFi components (turntables, FM/AM tuners, integrated amplifiers, preamplifiers, power amplifiers and speakers) in 1955 - 1965.

Natural Sound Speaker Series introduced in 1967

NS-20 Monitor Speaker



NS-20



CA-1000

1970s

• **CA-1000 Integrated Amplifier**

Featuring A-Class operation, the CA-1000 set the standard for integrated amplifiers.

NS-690 Natural Sound Speaker



NS-690



NS-1000M

NS-1000M Monitor Speaker

A truly legendary speaker still revered by HiFi enthusiasts.

B-1 Power Amplifier

An innovative power amp that used vertical FETs in all stages.



B-1



C-2

C-2 Control Amplifier

Received top prize at the Milan International Music and HiFi Show.

NS-10M Studio Monitor Speaker

Became of the most popular studio monitors in the world.



PX-2



NS-10M

A-1 Integrated Amplifier

PX-2 Turntable

Yamaha's first straight arm turntable.



B-6



B-2x

1980s

• **B-6 Power Amplifier**

Pyramid-shaped power amplifier.

GT-2000/L Turntable

First CD Player (CD-1) introduced in 1983

B-2x Power Amplifier



MX-10000



CX-10000

**MX-10000 Power Amplifier and
CX-10000 Control Amplifier**

Redefined the capabilities of separate components.

AX-1 Integrated Amplifier

1990s

• **GT-CD1 CD Player**

**MX-1 Power Amplifier and
CX-1 Preamplifier**



Soavo-1



A-S2000

2000s

• **Soavo-1 and Soavo-2 Natural Sound
Speaker Systems**

**A-S2000 Stereo Amplifier and
CD-S2000 Super Audio CD Player**



CD-S2000

2010s

• **NP-S2000 Network Player**



NP-S2000

A-S3000

◆ *Full floating and balanced circuit design achieves the full potential of analogue amplification*

An entirely new floating and balanced power amplifier achieves complete symmetry and permits full balanced transmission (amplification) from the input jack to just before the speaker jack.

◆ *Full-stage balanced signal transmission*

The integrated amplifier offers full stage balanced transmission, combining high power output with good sound texture and outstanding S/N performance.

◆ *Parallel volume and tone control*

◆ *Large power supply with four separate circuits*

◆ *Left-right symmetrical design with rigid, stable construction*

◆ *Discrete phono amplifier*

◆ *High-quality headphone amplifier with low-impedance drive*

■ **Supplied accessories**

Please check that you have received all of the following parts.

- Remote control
- Batteries (AAA, R03, UM-4) (×2)
- Power cable
- SAFETY BROCHURE

Contents

Controls and functions.....	6
Connections.....	16
Specifications.....	24
Troubleshooting.....	28

■ **About this manual**

- ✨ indicates a tip for your operation.
- The color of images in this manual may vary from the original.
- Read the “SAFETY BROCHURE” before using this unit.

A-S3000

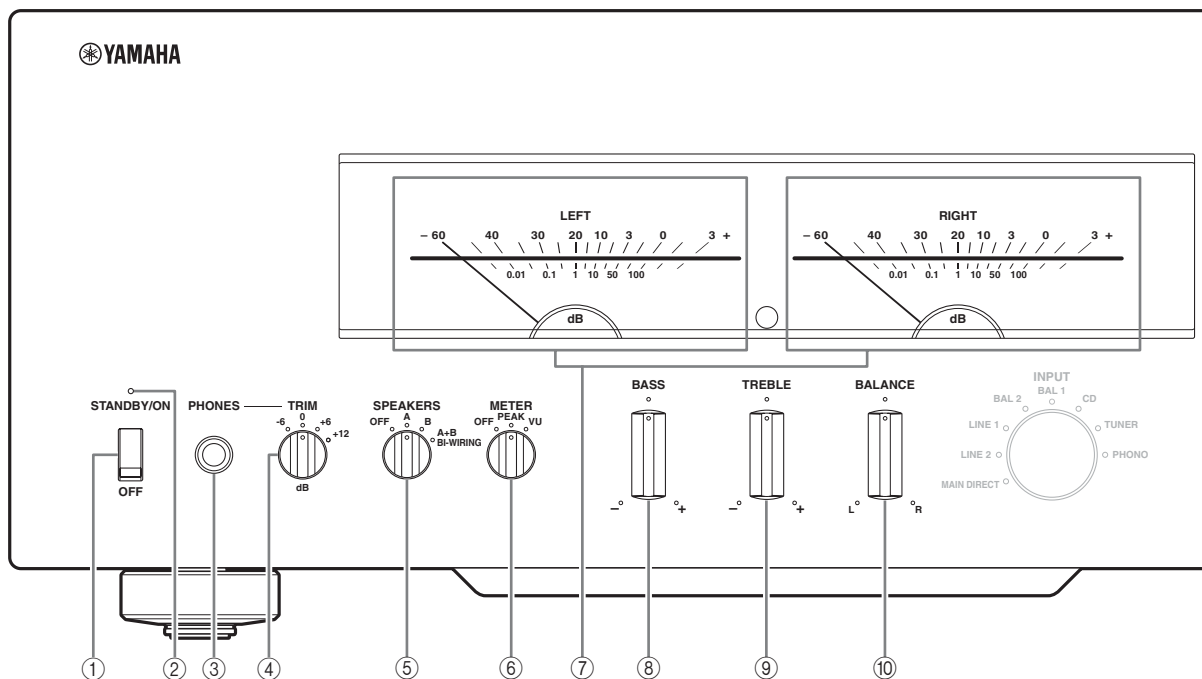
Controls and functions

In this chapter, you will learn the controls and functions of A-S3000.



Controls and functions

■ Front panel (pages 6 to 9)



① STANDBY/ON/OFF switch

Turns on or off this unit.

STANDBY/ON (upper position):

In this position, you can select STANDBY or ON, using the AMP key on the remote control.

OFF (lower position):

The power of this unit is turned off.

Notes

- When you turn on this unit, it will take a few seconds before this unit can reproduce sound.
- If you disconnect the power cable from the AC outlet and connect it again when this unit is in STANDBY mode, the power of the unit is turned on. If the unit is not to be operated for a long time, set the STANDBY/ON/OFF switch to OFF.

② STANDBY/ON indicator

Lit brightly:

Shows that the power of the unit is ON. In this condition, you can switch the unit to STANDBY mode using the AMP key on the remote control.

Lit dimly:

Shows that the unit is in STANDBY mode. In this condition, press the AMP key on the remote control to turn on the unit.

Off:

Shows that the power of the unit is OFF. In this condition, you can turn on the unit using the STANDBY/ON/OFF switch only.

③ PHONES jack

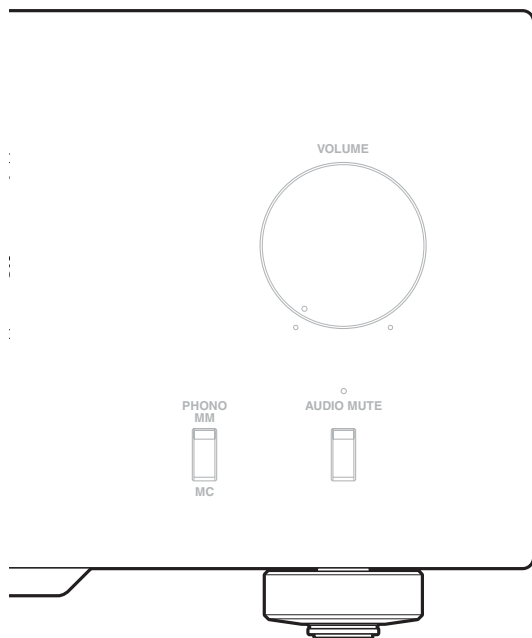
Outputs audio for private listening with headphones.

Notes

- When headphones are plugged in:
 - Both speaker sets connected to the SPEAKERS L/R CH terminals are turned off.
 - No signals are output at the PRE OUT jacks.
 - You cannot select MAIN DIRECT as the input source.
- If headphones are plugged into the PHONES jack while MAIN DIRECT is selected as the input source, no audio is output at the PHONES jack.

④ TRIM selector

Adjusts the volume level when headphones are plugged in to avoid sudden changes in volume. Choices: -6 dB, 0 dB, +6 dB, +12 dB



⑤ **SPEAKERS selector**

Turns on or off the speaker set connected to the SPEAKERS L/R CH A and/or B terminals on the rear panel.

- Switch to the OFF position to turn off both speaker sets.
- Switch to the A or B position to turn on the speaker set connected to the SPEAKERS L/R CH A or B terminals.
- Switch to the A+B BI-WIRING position to turn on both speaker sets.

Caution

If you use two sets (A and B), the impedance of each speaker must be 8 Ω or higher.

⑥ **METER selector**

Switches the display of the meter to OFF, PEAK or VU.

OFF:

Turns off the meter and the illumination.

PEAK:

Switches the meter to a peak level meter. The peak level meter shows a momentarily highest audio output level.

VU:

Switches the meter to a VU (Volume Unit) level meter. The VU level meter shows an effective audio output value that is similar to human senses.

⑦ **Meter displays (LEFT/RIGHT)**

Show the audio output level of the left (LEFT) and right (RIGHT) channels in VU or PEAK meter mode. The VU or PEAK meter can be selected by the METER selector.

⑧ **BASS control**

Increases or decreases the low frequency response. The 0 position produces a flat response. Control range: -10 dB to +10 dB

⑨ **TREBLE control**

Increases or decreases the high frequency response. The 0 position produces a flat response. Control range: -10 dB to +10 dB

⑩ **BALANCE control**

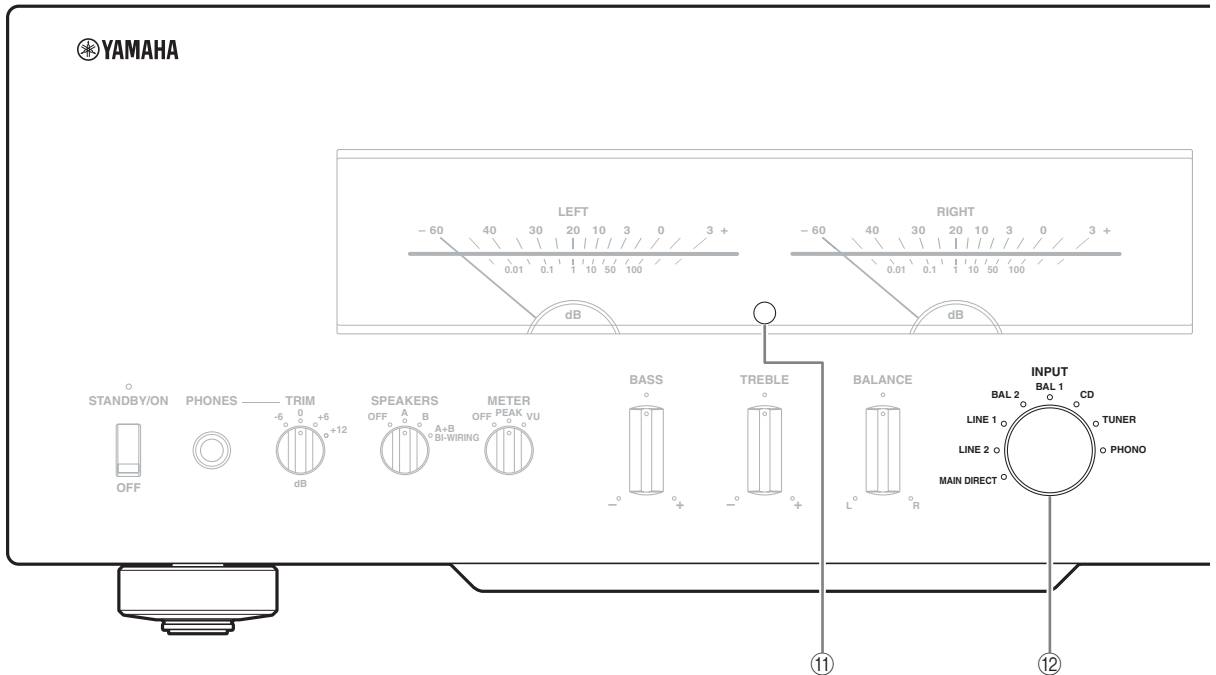
Adjusts the audio output balance of the left and right speakers to compensate for sound imbalances caused by speaker locations or listening room conditions.

Notes

- When both the BASS and TREBLE controls are set to the 0 position, audio signal bypasses the tone control circuitry.
- The BASS, TREBLE and BALANCE controls do not affect the signals input at the MAIN IN jacks and signals output at the LINE 2 REC jacks.

Controls and functions

■ Front panel (pages 6 to 9)

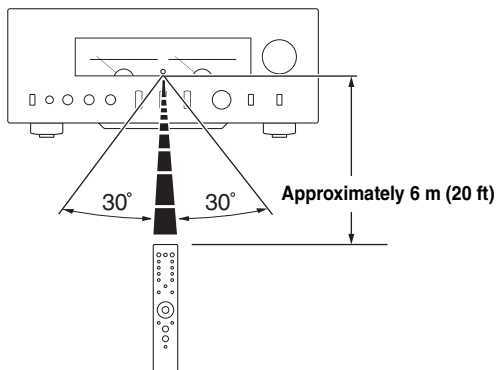


⑪ Remote control sensor

Receives signals from the remote control.



The remote control transmits a directional infrared beam. Be sure to aim the remote control directly at the remote control sensor on the front panel of this unit during operation.



⑫ INPUT selector/indicator

Selects the input source to be played back. The indicator of the input source selected with the INPUT selector lights.

The audio signals of the selected input source are also output at the LINE 2 REC jacks.

MAIN DIRECT: Selects the component connected to the MAIN IN jacks.

When MAIN DIRECT is selected as the input source, the audio signals are not output at the PRE OUT, LINE 2 REC and PHONES jacks.

LINE 1/LINE 2: Selects the component connected to the LINE 1 or LINE 2 jacks.

BAL 1/BAL 2: Selects the component connected to the BAL 1 or BAL 2 jacks (balanced XLR jacks).

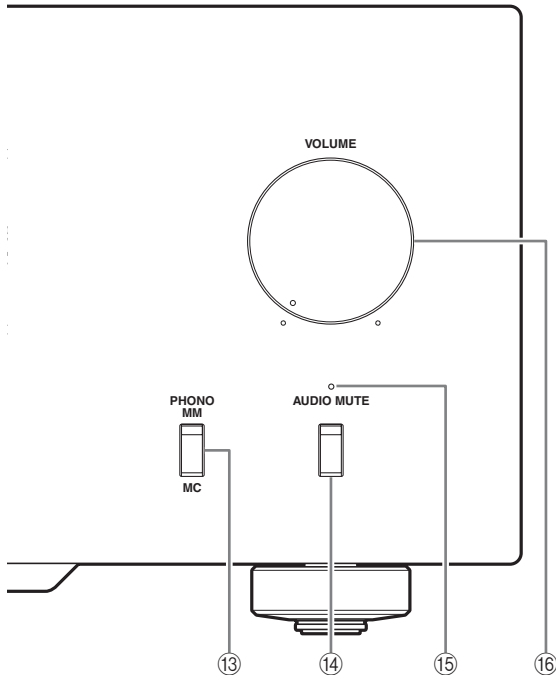
CD: Selects the CD player connected to the CD jacks (unbalanced RCA jacks).

TUNER: Selects the tuner connected to the TUNER jacks.

PHONO: Selects the turntable connected to the PHONO jacks.

Note

When LINE 2 is selected, the audio signals are not output at the LINE 2 REC jacks.



13 PHONO switch

Selects the type of magnetic cartridge of the turntable connected to the PHONO jacks on the rear panel.

- Press upward to the MM position when the connected turntable has a moving magnet (MM) cartridge.
- Press downward to the MC position when the connected turntable has a moving coil (MC) cartridge.



When you replace the cartridge, be sure to turn off this unit.

14 AUDIO MUTE switch

Press downward to reduce the current volume level by approximately 20 dB. Press again to restore the audio output to the previous volume level.



You can also rotate the VOLUME control on the front panel or press the VOLUME + or – key on the remote control to resume the audio output.

15 AUDIO MUTE indicator

Lights when the mute function is turned on with the AUDIO MUTE switch.

16 VOLUME control

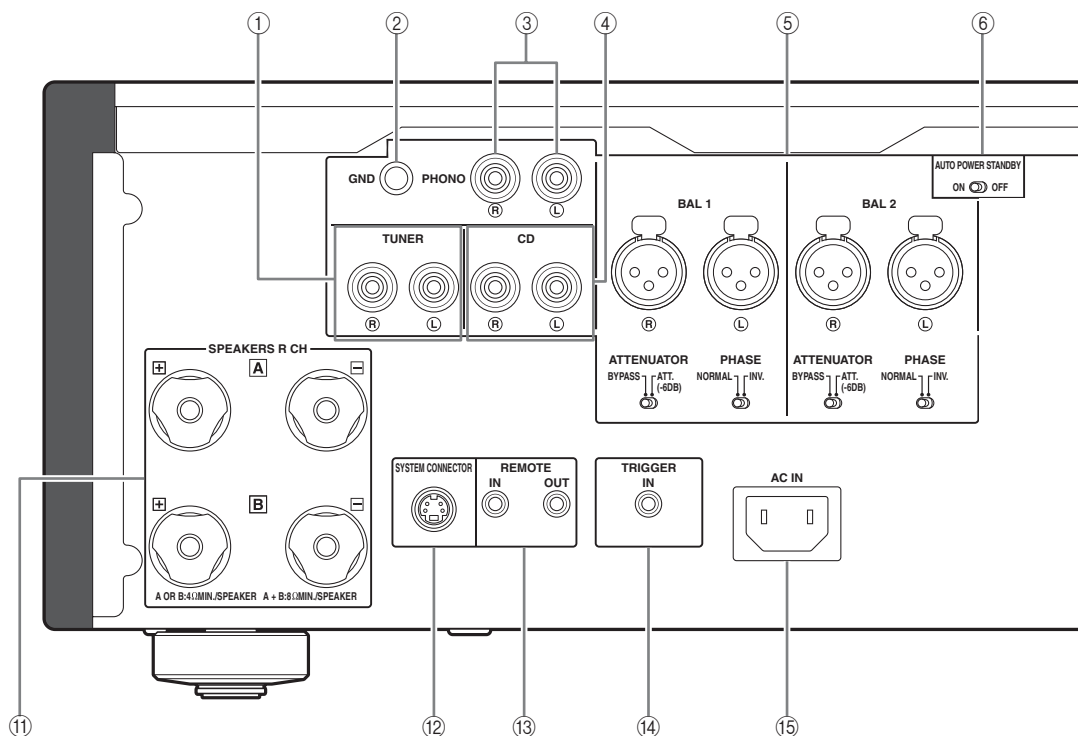
Controls the volume level. This does not affect the output level at the LINE 2 REC jacks.

Note

The VOLUME control does not affect when you select MAIN DIRECT as the input source. Adjust the volume level using the volume control on the external amplifier connected to the MAIN IN jacks.

Controls and functions

■ Rear panel



See page 16 for connection information.

① **TUNER input jacks**

② **GND (Ground) terminal**

③ **PHONO input jacks**

④ **CD input jacks**

⑤ **BAL 1/BAL 2 (balanced) input jacks**

Two sets of balanced input jacks are provided. Set the ATTENUATOR selector and PHASE selector associated with the BAL 1 or BAL 2 jacks according to the player connected to the corresponding jacks. For details of settings, see page 20.

⑥ **AUTO POWER STANDBY switch**

ON:

The unit enters STANDBY mode automatically if not operated for 8 hours.

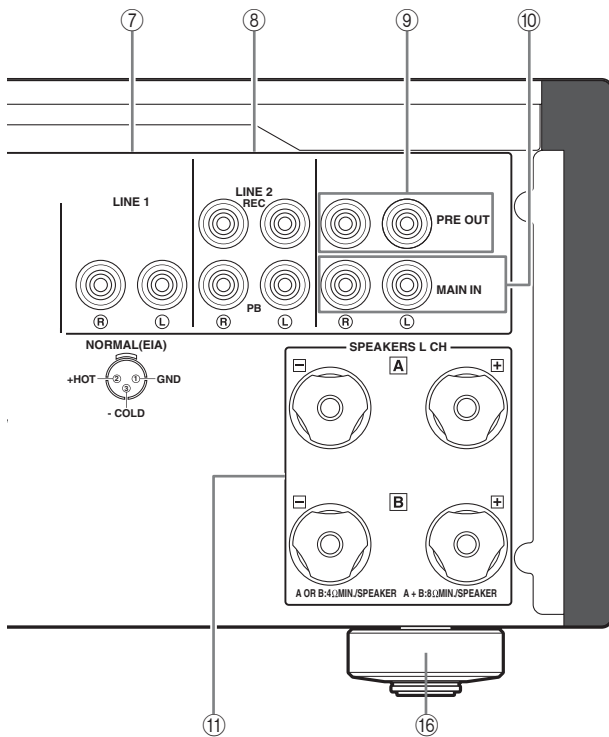
OFF:

The unit does not enter STANDBY mode automatically.

⑦ **LINE 1 input jacks**

⑧ **LINE 2 jacks**

PB (playback) input jacks and REC (recording) output jacks are provided.



9 PRE OUT jacks



- The PRE OUT jacks output the same channel signal as the SPEAKERS L/R CH terminals.
- When you connect a stereo cable to the PRE OUT jacks to drive the speakers using an external amplifier, it is not necessary to use the SPEAKERS L/R CH terminals.
- The signal output at the PRE OUT jacks are affected by the BASS and TREBLE control settings.

10 MAIN IN jacks

Use these jacks to connect an external component equipped with a volume control.

Note

When you select MAIN DIRECT as the input source, the volume level is fixed.
Adjust the volume level using the volume control on the external amplifier connected to the MAIN IN jacks when you select MAIN DIRECT as the input source.

For the connection to the MAIN IN jacks, see pages 16 and 17.

11 SPEAKERS L/R CH terminals

12 SYSTEM CONNECTOR

Use this connector to connect a product testing device for servicing.

13 REMOTE IN/OUT jacks

Use these jacks to connect an external component for remote control.
For details on the connection, see page 21.

14 TRIGGER IN jack

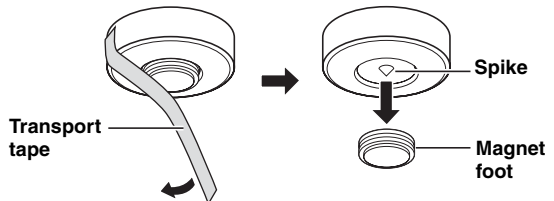
Use this jack to connect an external component for the trigger function.
For details on the connection, see page 22.

15 AC IN inlet

Use this inlet to plug in the supplied power cable.
For details on the connection, see page 19.

16 Foot

The feet of this unit include built-in spikes. Using the spikes can reduce the effect of vibrations on the set.
When using the spikes, remove the transport tape, then remove the magnet foot by pulling it.



Caution

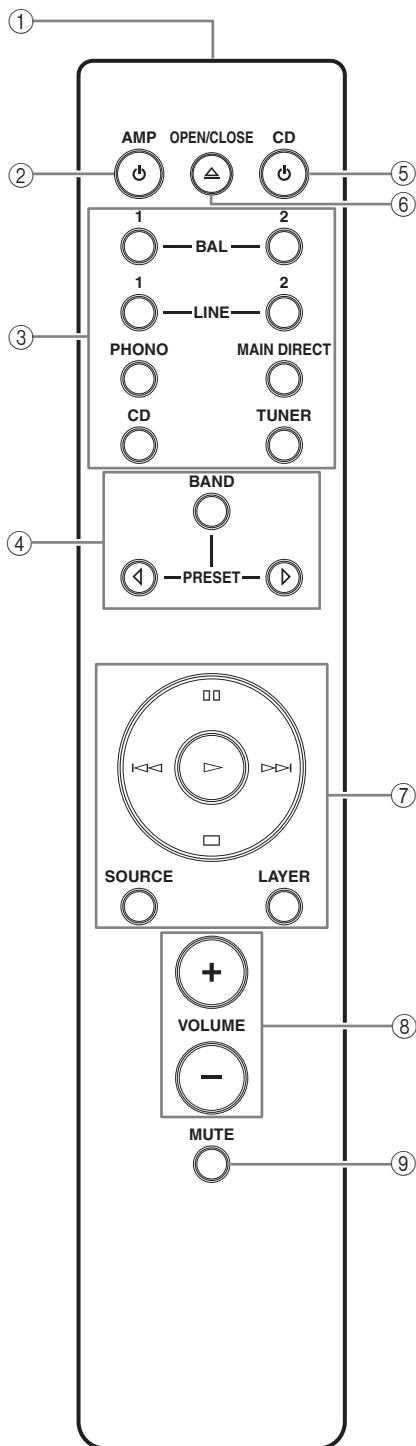
When using the feet's built-in spikes, the spikes may scratch the shelf or floor on which this unit is installed. Use the magnet feet or appropriate supports when placing this unit on expensive furniture, etc.



If this unit is unstable, you can adjust the foot height by rotating it.

Controls and functions

■ Remote control



① Infrared signal transmitter

Outputs infrared control signals.

② AMP key

Turns this unit ON or switches it to STANDBY mode. For details on STANDBY mode, see “Front panel” (page 6).

③ Input select keys

Selects the input source to be played back. The audio signals of the selected input source are output at the LINE 2 REC jacks.



When LINE 2 is selected as the input source, the audio signals are not output at the LINE 2 REC jacks.

BAL: Selects the component connected to the BAL 1 or BAL 2 jacks (balanced XLR jacks).

LINE: Selects the component connected to the LINE 1 or LINE 2 jacks.

PHONO: Selects the turntable connected to the PHONO jacks.

MAIN DIRECT: Selects the component connected to the MAIN IN jacks. When MAIN DIRECT is selected as the input source, the audio signals are not output at the PRE OUT, LINE 2 REC and PHONES jacks.

CD: Selects the CD player connected to the CD jacks (unbalanced RCA jacks).

TUNER: Selects the tuner connected to the TUNER jacks

④ Yamaha tuner control buttons

Control functions of Yamaha tuner. Refer to the owner’s manual of your tuner for details.

Note

Some Yamaha tuners cannot be controlled by this remote control.

⑤ **⏻ CD key**

Turns the Yamaha CD player ON or switches it to STANDBY mode.

⑥ **⏏ OPEN/CLOSE key**

Opens/closes the disc tray of the Yamaha CD player. Refer to the owner's manual of your CD player for details.

Note

Some Yamaha CD players do not support the CD key and/or **⏏** OPEN/CLOSE key of this remote control.

⑦ **Yamaha CD player control keys**

Control various functions of Yamaha CD player. Refer to the owner's manual of your CD player for details.

▷ (Play)

Starts playback.

⏏ (Pause)

Pauses playback. Press the **▷** or **⏏** to resume playback.

⏏ (Stop)

Stops playback.

⏮/▷ (Skip)

Skips to the next track, or skips back to the beginning of the current track.

SOURCE

Selects the source to be played on the Yamaha CD player. The playback source changes each time this key is pressed.

LAYER

Switches the playback layer of a hybrid SA-CD between SA-CD and CD.

⑧ **VOLUME +/- keys**

Control the volume level.

Note

The VOLUME keys do not affect when you select MAIN DIRECT as the input source. Adjust the volume level on the external amplifier connected to the MAIN IN jacks.

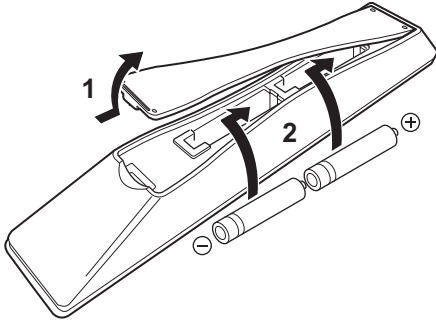
⑨ **MUTE key**

Reduces the current volume level by approximately 20 dB. Press again to restore the audio output to the previous volume level. Pressing the VOLUME + or - key also cancels muting.

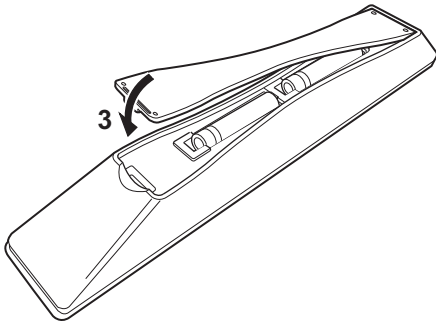
Controls and functions

■ Installing batteries in the remote control

- 1 Remove the battery compartment cover.
- 2 Insert the two batteries (AAA, R03, UM-4) according to the polarity markings (+ and -) on the inside of the battery compartment.



- 3 Reinstall the battery compartment cover.

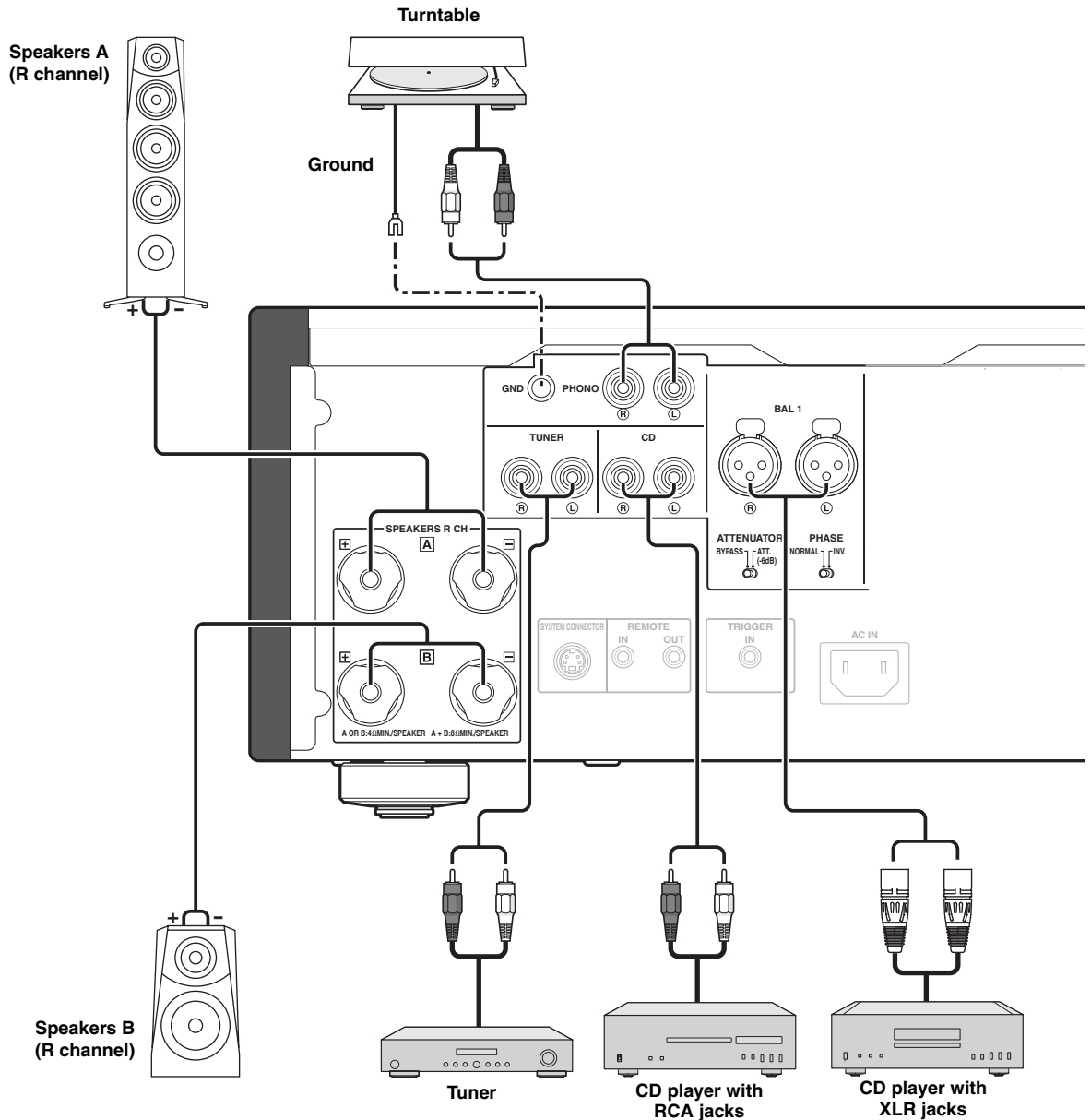




A-S3000 **Connections**

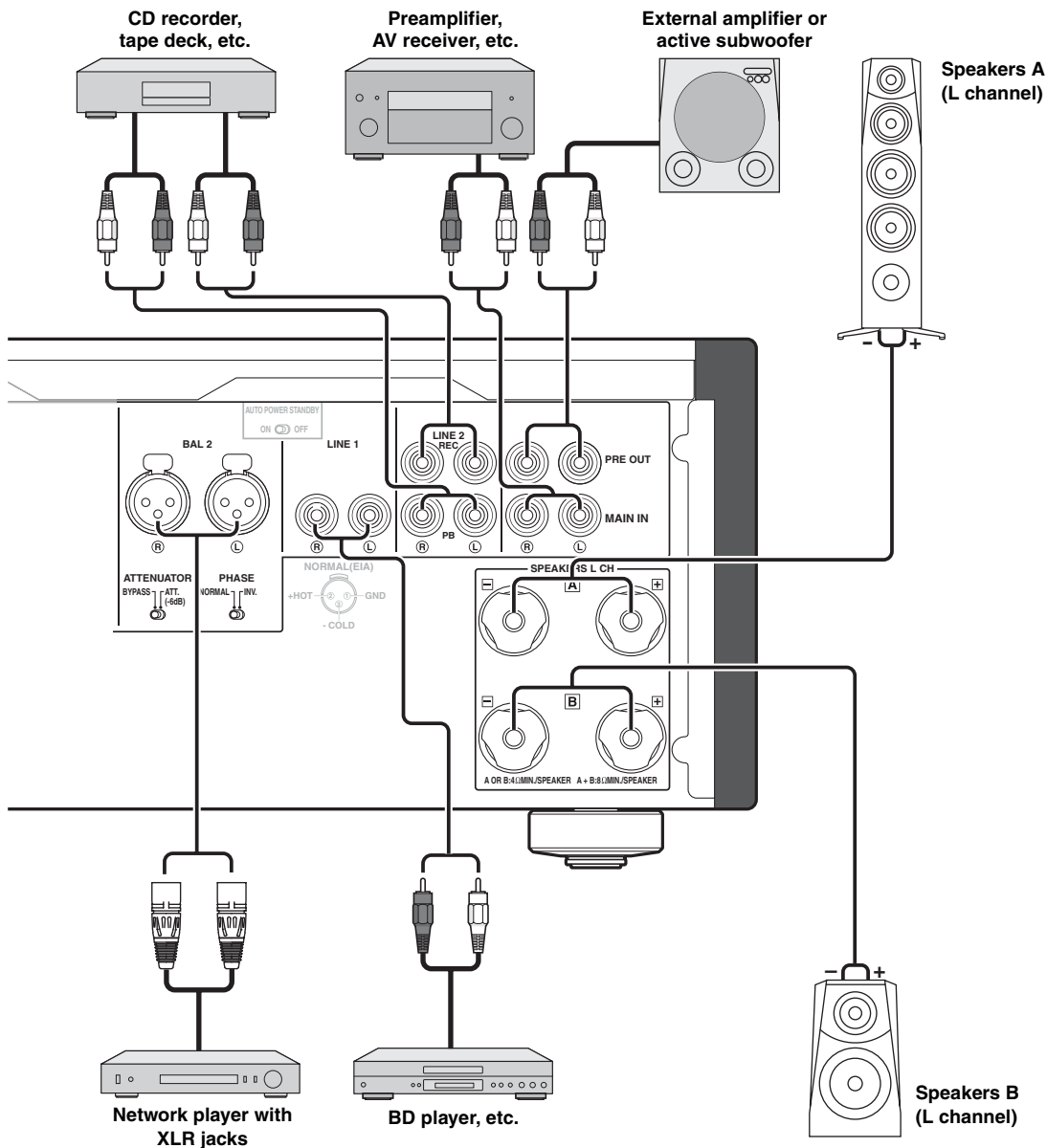
In this section, you will make connections between A-S3000, speakers, and source components.

Connections



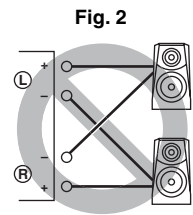
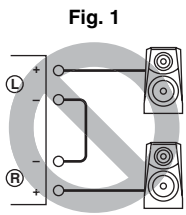
Caution

- Do not let the bare speaker wires touch each other or do not let them touch any metal part of this unit. This could damage this unit and/or the speakers.
- All connections must be correct: L (left) to L, R (right) to R, “+” to “+”, and “-” to “-”. If the connections are faulty, no sound will be heard from the speakers, and if the polarity of the speaker connections is incorrect, the sound will be unnatural and lack bass. Also, refer to the owner’s manual for each of your components.
- Use RCA unbalanced cables to connect other components except speakers. Use XLR balanced cables to connect a CD player or network player with XLR balanced output jacks to the BAL 1 or BAL 2 jacks of this unit.
- Connect your turntable to the GND terminal to reduce noise in the signal. However, you may hear less noise without the connection to the GND terminal for some turntables.



Caution

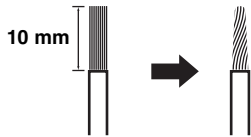
- Because the power amplifier of A-S3000 is of the floating balanced type, the following types of connections are not possible.
 - Connecting with the left channel “-” terminal and the right channel “-” terminal as well as “+” terminals (Fig. 1).
 - Connecting with the left channel “-” terminal and the right channel “-” terminal inverted (cross connection, Fig. 2).
 - Deliberately connecting with the left/right channel “-” terminals and metal part on the rear panel of this unit, as well as accidentally touching them.
- Do not connect your active subwoofer to the SPEAKERS L/R CH terminal. Connect it to the PRE OUT jacks of this unit.
- Do not connect a component with no volume control, such as a CD player, to the MAIN IN jacks, as the volume level of the signals input to the MAIN IN jacks is fixed. If such equipment is connected, a sound may burst, and the unit and/or speaker may be damaged.



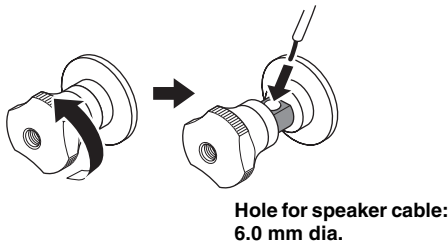
Connections

■ Connecting the speakers

- 1 Remove approximately 10 mm of insulation from the end of each speaker cable and twist the exposed wires of the cable together to prevent short circuits.



- 2 Unscrew the knob and then insert the bare wire into the hole.



- 3 Tighten the knob.

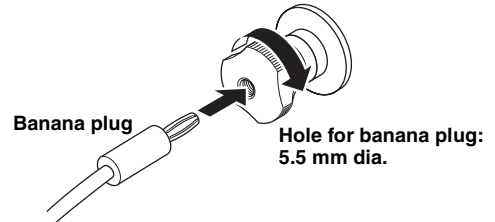


Caution

- When loosening the knob of the speaker terminal, do not rotate it excessively. The knob may come off and pose the danger of being swallowed by a child.
- Touching the speaker terminal with a metallic rack may cause short circuit and damage this unit. When installing the unit in a rack, maintain a sufficient clearance to prevent the speaker terminals from touching the rack.
- To reduce the risk of electric shock, do not touch the speaker terminal when the unit is turned on.

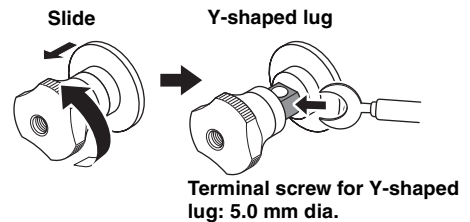
■ Connecting the banana plug (Except for Europe models)

First, tighten the knob and then insert the banana plug into the end of the corresponding terminal.



■ Connecting the Y-shaped lug

- 1 Unscrew the knob and then sandwich the Y-shaped lug between the ring part and base.



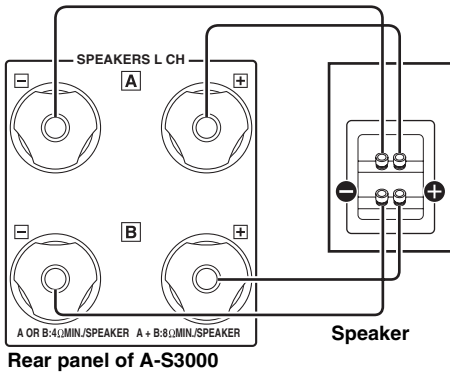
- 2 Tighten the knob.



■ Bi-wire connection

The bi-wire connection separates the woofer from the combined midrange and tweeter section. A bi-wire compatible speaker has four binding post terminals. These two sets of terminals allow the speaker to be split into two independent sections. This split connects the mid and high frequency drivers to one set of terminals and the low frequency driver to the other pair.

Example of a bi-wiring connection (L channel)



Caution

To use the bi-wire connections, the impedance of each speaker must be $8\ \Omega$ or higher.

Note

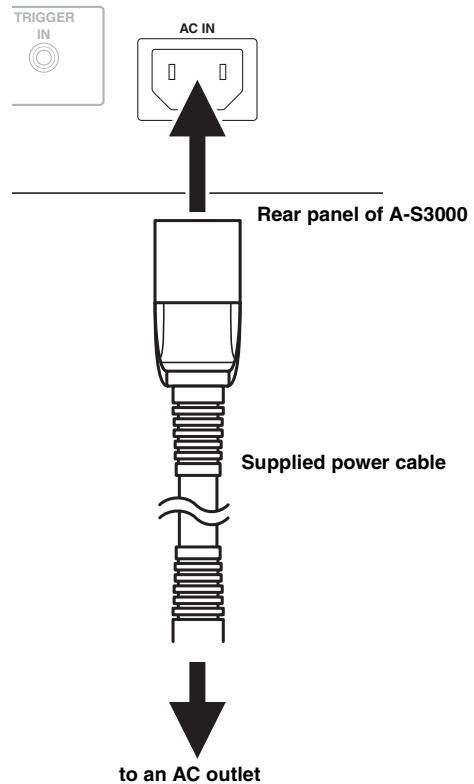
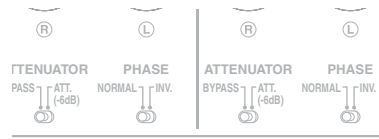
Remove the shorting bars or bridges to separate the LPF (low pass filter) and HPF (high pass filter) crossovers.



To use the bi-wire connections, switch the SPEAKERS selector to the A+B BI-WIRING position.

■ Connecting the power cable

Plug the power cable into the AC IN inlet when all connections are complete, and then plug in the power cable to the AC outlet.



Connections

■ Connecting to the BAL 1/BAL 2 jacks

Connect your CD player or network player with the XLR balanced output jacks.

Set the ATTENUATOR selector and PHASE selector located below the BAL 1 or BAL 2 jacks according to the component to be connected.

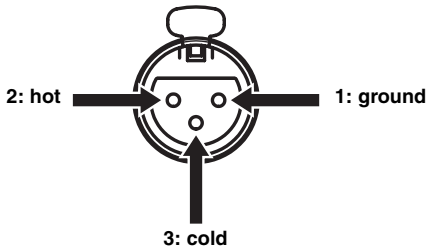
ATTENUATOR selector:

Select the allowable input level for the XLR balanced input jacks. If sound from the connected component is distorted, set the ATTENUATOR selector to ATT. (-6 dB).

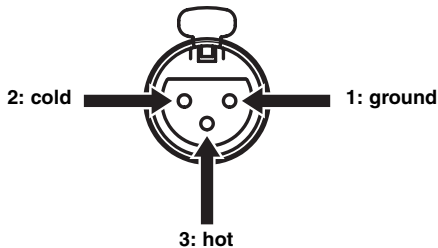
PHASE selector:

Select the assignment of the HOT pin of the XLR balanced input jacks (pin 2 HOT or pin 3 HOT).

NORMAL (pin 2 HOT)



INV. (pin 3 HOT)



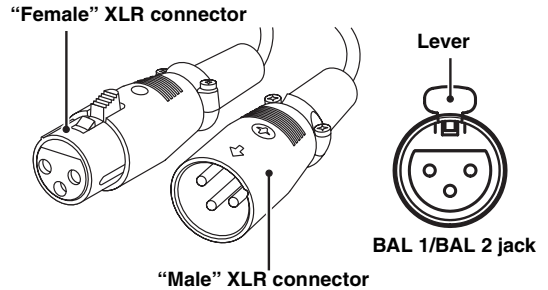
Refer to the owner's manual supplied with the connected component and verify the assignment of the HOT pin of its XLR balanced output jacks.



Yamaha CD players are set to NORMAL (pin 2 HOT).

XLR connectors:

When connecting, be sure to match the pins and insert the connector of the "male" XLR balanced cable until you hear a "click". When disconnecting, pull out the "male" XLR balanced cable while holding down the lever of the BAL 1 or BAL 2 jack.

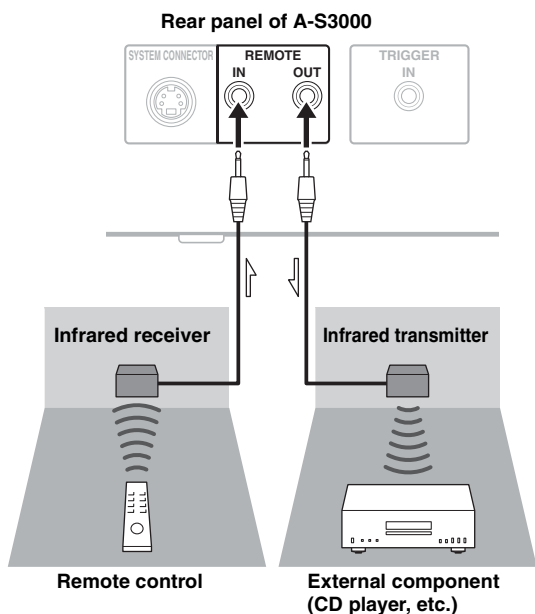


Note

To use the XLR balanced connection, you must select BAL 1 or BAL 2 as the input source.

■ Operating this unit from another room

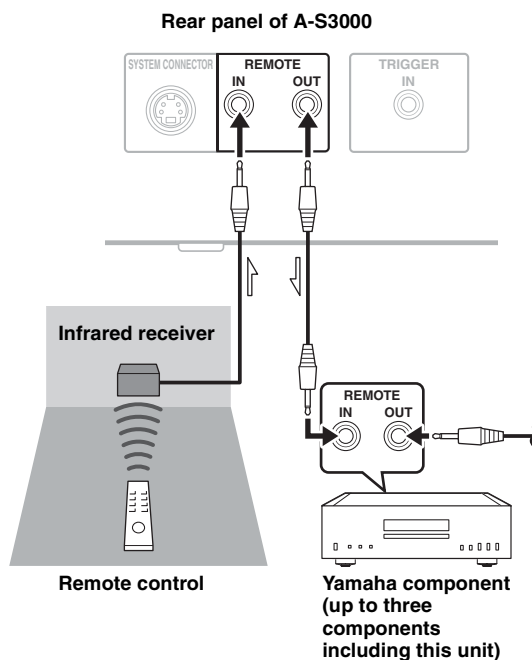
If you connect an infrared receiver and transmitter to the REMOTE IN/OUT jacks of this unit, you can operate the unit and/or external component using the supplied remote control located in another room.



■ Remote connection between Yamaha components

When you have another Yamaha component supporting remote connection, as this unit does, an infrared transmitter is not necessary. You can transmit remote signals by connecting an infrared receiver and the REMOTE IN jack of the other component to the REMOTE IN/OUT jacks of this unit, using cables with monaural miniplugs.

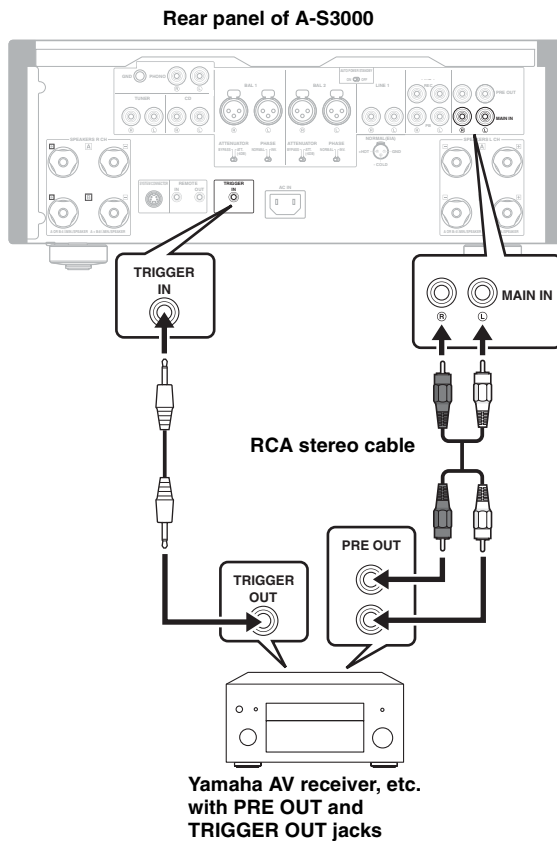
Up to three Yamaha components (including this unit) can be connected.



Connections

■ Connecting a component supporting the trigger function such as a Yamaha AV receiver

The operations of this unit can be controlled in synchronization with the operations of the connected component, such as a Yamaha AV receiver (power ON/STANDBY or MAIN DIRECT input selection). Connect the PRE OUT jacks and the TRIGGER OUT jack of the Yamaha AV receiver to this unit as illustrated below:



When the power of the connected component is turned on, this unit turns on and the input is set to MAIN DIRECT automatically.

When MAIN DIRECT is selected as the input source, this unit enters STANDBY mode if the power of the connected component is turned off.

Note

To enable synchronization, turn off this unit before connecting the component to the MAIN IN jacks. The synchronization cannot be activated when the STANDBY/ON/OFF switch of the unit has been set to OFF.



A-S3000 Specifications

In this section, you will find technical specifications for A-S3000.



Specifications

POWER SECTION

- Rated Output Power
 - (8 Ω, 20 Hz to 20 kHz, 0.07% THD) 90 W + 90 W
 - (4 Ω, 20 Hz to 20 kHz, 0.07% THD) 145 W + 145 W
- Dynamic Power (IHF)
 - (8 Ω) 100 W + 100 W
 - (6 Ω) 130 W + 130 W
 - (4 Ω) 180 W + 180 W
 - (2 Ω) 290 W + 290 W
- Dynamic Headroom
 - (8 Ω) 0.79 dB
- Maximum Output Power
 - [U.K. and Europe models only]
 - (1 kHz, 0.7% THD, 4 Ω) 170 W + 170 W
- Maximum Effective Output Power (JEITA)
 - [Taiwan, China, Korea, Asia and U.K. models only]
 - (1 kHz, 10% THD, 8 Ω) 110 W + 110 W
 - (1 kHz, 10% THD, 4 Ω) 190 W + 190 W
- IEC Output Power [U.K. and Europe models only]
 - (1 kHz, 0.02% THD, 8 Ω) 105 W + 105 W
- Power Bandwidth
 - (MAIN L/R, 0.1% THD, 45 W, 8 Ω) 10 Hz to 60 kHz
- Damping Factor
 - (1 kHz, 8 Ω) 250 or higher
- Maximum Input Signal Voltage
 - PHONO MM (1 kHz, 0.003% THD) 50 mVrms
 - PHONO MC (1 kHz, 0.003% THD) 2.3 mVrms
 - CD, etc. (1 kHz, 0.5% THD) 2.80 Vrms
 - BAL 1/BAL 2 (1 kHz, 0.5% THD)
 - (BYPASS) 2.80 Vrms
 - (ATT. -6 dB) 5.60 Vrms
- Rated Output Voltage/Output Impedance
 - REC OUT 200 mVrms/1.5 kΩ
 - PRE OUT 1.0 Vrms/1.5 kΩ
- Frequency Response
 - CD, etc. (5 Hz to 100 kHz) +0/-3 dB
 - CD, etc. (20 Hz to 20 kHz) +0/-0.3 dB
- RIAA Equalization Deviation
 - PHONO MM ±0.5 dB
 - PHONO MC ±0.5 dB
- Total Harmonic Distortion
 - PHONO MM to REC OUT
 - (20 Hz to 20 kHz, 1.2 Vrms) 0.005%
 - PHONO MC to LINE 2 REC
 - (20 Hz to 20 kHz, 1.2 Vrms) 0.02%
 - BAL 1/BAL 2 to SPEAKERS
 - (20 Hz to 20 kHz, 50 W/8 Ω) 0.025%
 - CD, etc. to SPEAKERS
 - (20 Hz to 20 kHz, 50 W/8 Ω) 0.025%
- Signal to Noise Ratio (IHF-A Network)
 - PHONO MM (5 mVrms, Input shorted) 93 dB
 - PHONO MC (500 μVrms, Input shorted) 85 dB
 - CD, etc. (200 mVrms, Input shorted) 103 dB
- Residual Noise (IHF-A Network) 33 μVrms

CONTROL SECTION

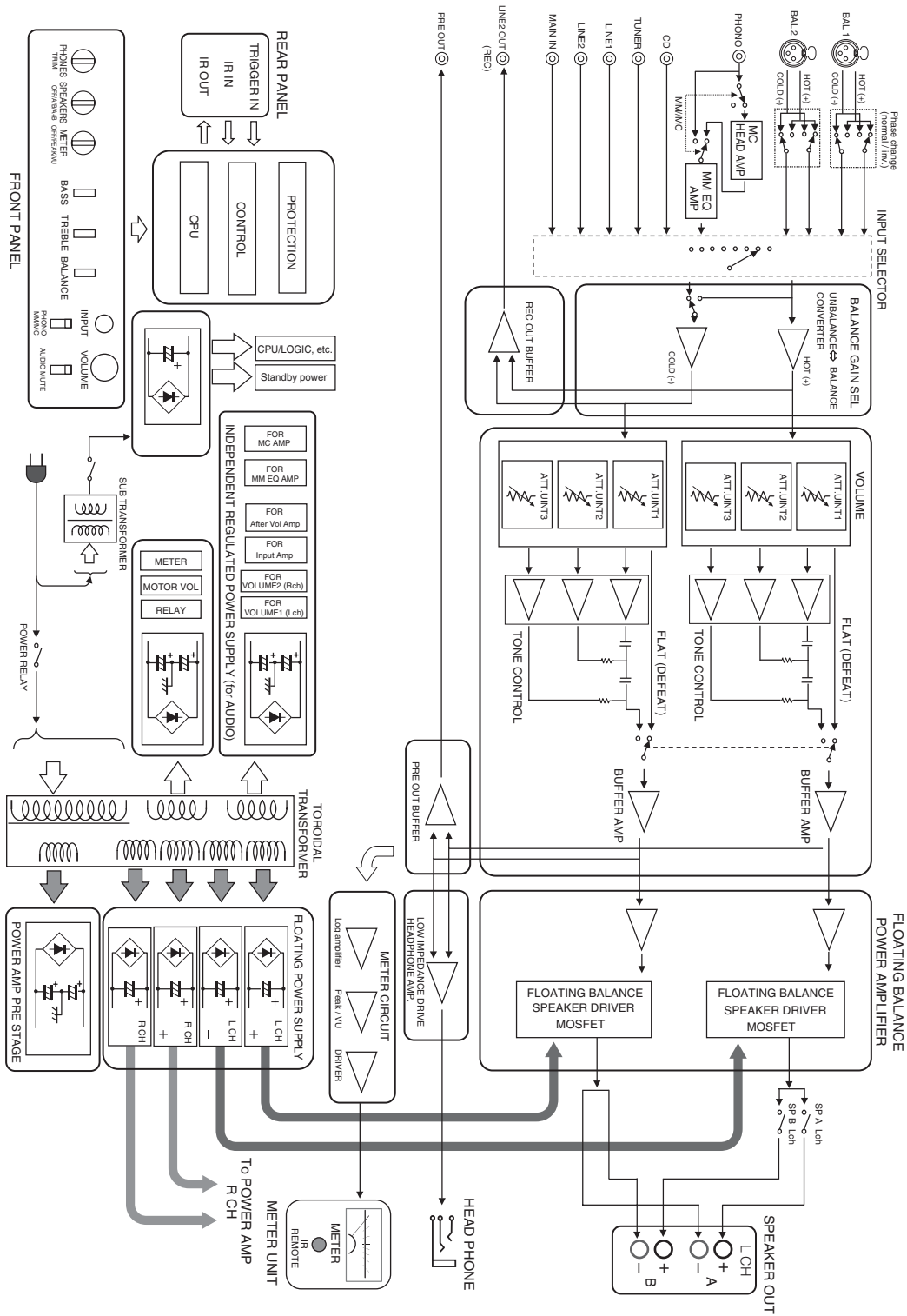
- Input Sensitivity/Input Impedance
 - CD, etc. 200 mVrms/47 kΩ
 - PHONO MM 2.5 mVrms/47 kΩ
 - PHONO MC 100 μVrms/50 Ω
 - MAIN IN 1 Vrms/47 kΩ
 - BAL 1/BAL 2 200 mVrms/100 kΩ
- Headphone Jack Rated Output Power
 - CD, etc. (1 kHz, 32 Ω, 0.2% THD) 70 mW + 70 mW
- Channel Separation
 - CD, etc. (Input, 5.1 kΩ Terminated, 1 kHz/10 kHz) 74/54 dB or higher
 - PHONO MM (Input shorted, 1 kHz/10 kHz, Vol.: -30 dB) 90/77 dB or higher
 - PHONO MC (Input shorted, 1 kHz/10 kHz, Vol.: -30 dB) 66/77 dB or higher
- Tone Control Characteristics
 - BASS
 - Boost/Cut (50 Hz) ±9 dB
 - Turnover Frequency 350 Hz
 - TREBLE
 - Boost/Cut (20 kHz) ±9 dB
 - Turnover Frequency 3.5 kHz

GENERAL

- Power Supply
 - [U.S.A and Canada models] AC 120 V, 60 Hz
 - [Taiwan model] AC 110 V, 60 Hz
 - [China model] AC 220 V, 50 Hz
 - [Korea model] AC 220 V, 60 Hz
 - [Australia model] AC 240 V, 50 Hz
 - [U.K. and Europe models] AC 230 V, 50 Hz
 - [Asia model] AC 220 - 240 V, 50/60 Hz
- Power Consumption
 - [U.S.A and Canada models] 500 VA
 - [Other models] 350 W
- Standby Power Consumption 0.3 W
- Maximum Power Consumption
 - [Taiwan model] 700 W
- Dimensions (W × H × D) 435 × 180 × 464 mm
(17-1/8" × 7-1/8" × 18-1/4")
- Weight 24.6 kg (54.2 lbs)

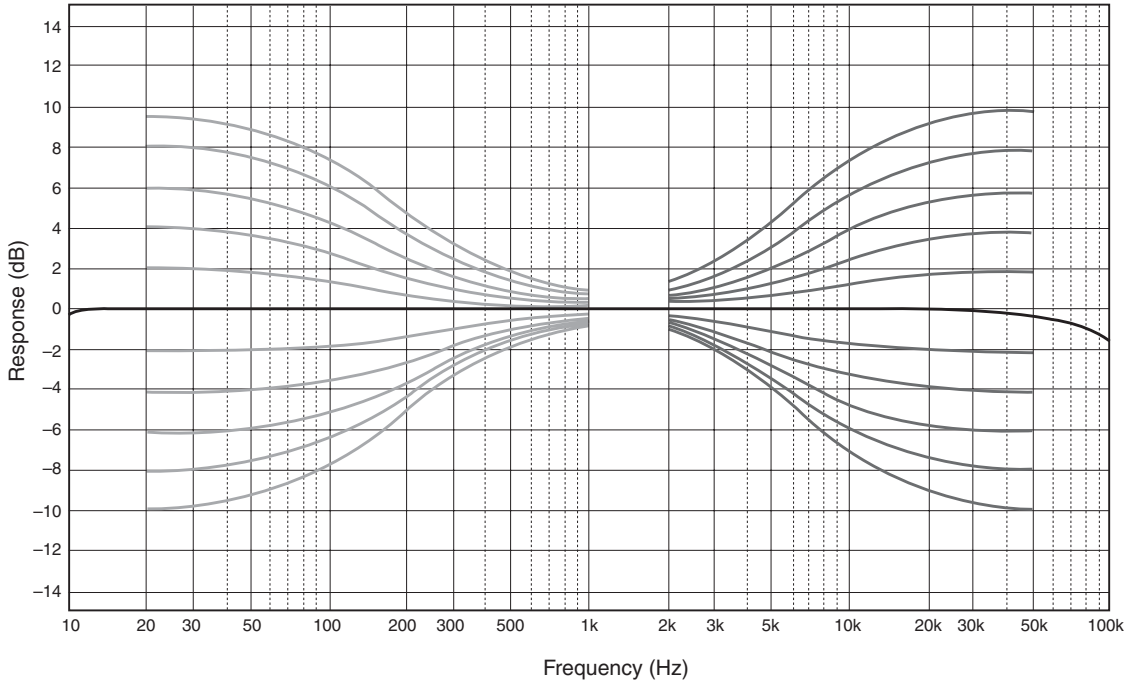
* Specifications are subject to change without notice.

Block diagram

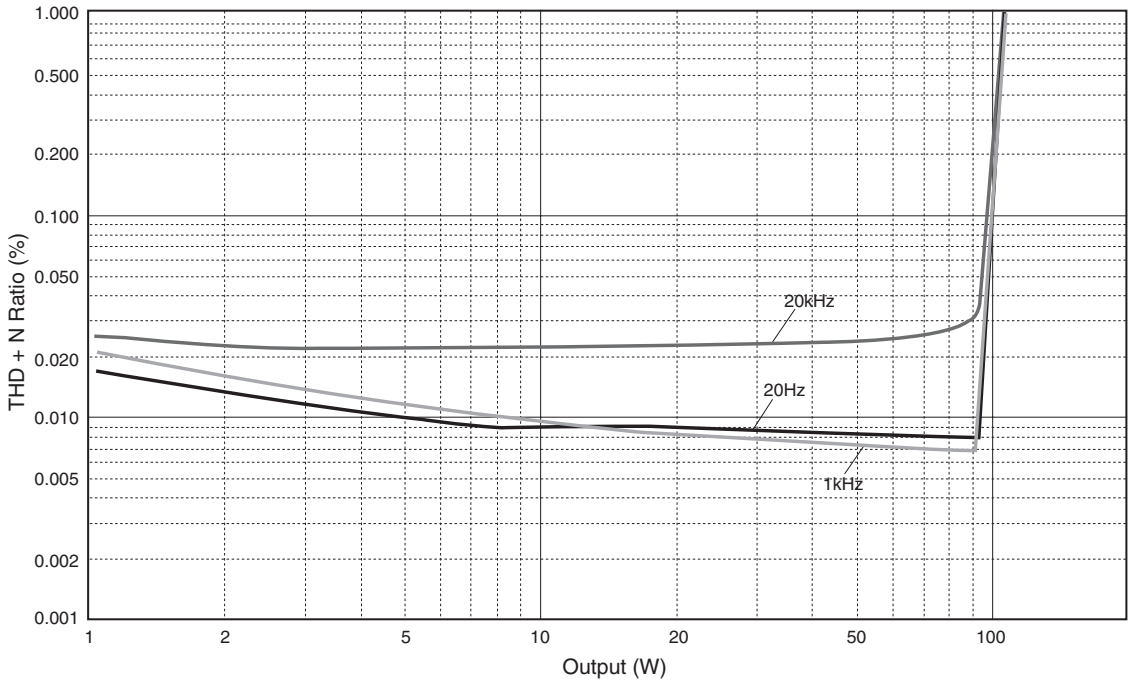


Specifications

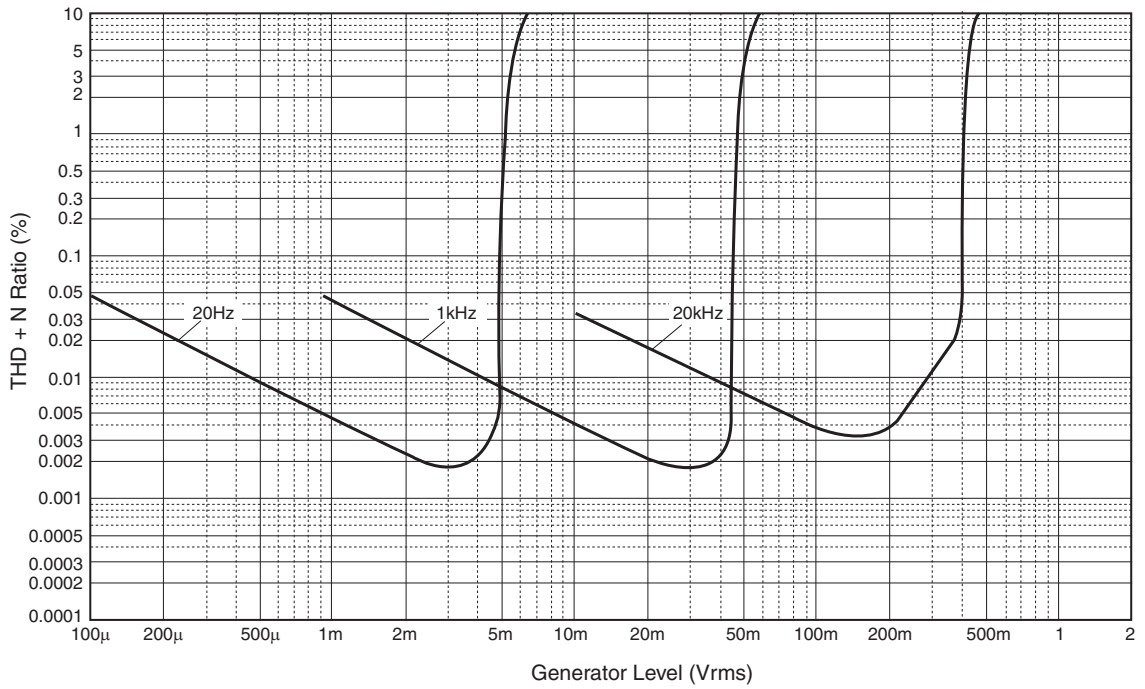
■ Tone control characteristics



■ Total harmonic distortion



■ Total harmonic distortion (PHONO)



Troubleshooting

Refer to the chart below if this unit does not function properly. If the problem you are experiencing is not listed below or if the instructions below do not help, turn off this unit, disconnect the power cable, and contact the nearest authorized Yamaha dealer or service center.

Problem	Cause	Remedy	See page
This unit fails to turn on.	The power cable is not connected to the AC IN inlet on the rear panel or not plugged in the AC wall outlet.	Connect the power cable firmly.	19
	The protection circuitry has been activated because of a short circuit, etc.	Check that the speaker wires are not touching each other or shorting out against the rear panel of this unit, and then turn the power of this unit back on.	18
	This unit has been exposed to a strong external electric shock (such as lightning or strong static electricity).	Turn off this unit, disconnect the power cable, plug it back in after 30 seconds, and then use it normally.	—
The STANDBY/ON indicator on the front panel flashes.	The protection circuitry has been activated because of a short circuit, etc.	Check that the speaker wires are not touching each other or shorting out against the rear panel of this unit, and then turn the power of this unit back on.	18
	There is a problem with the internal circuitries of this unit.	Disconnect the power cable and contact the nearest authorized Yamaha dealer or service center.	—
The INPUT indicator on the front panel flashes and the volume is turned down when you turn on this unit.	The protection circuitry has been activated because of a short circuit, etc.	Check that the speaker wires are not touching each other or shorting out against the rear panel of this unit, and then turn the power of this unit back on.	18
No sound.	Incorrect input or output cable connections.	Connect the cables properly. If the problem persists, the cables may be defective.	16
	No appropriate input source has been selected.	Select an appropriate input source with the INPUT selector on the front panel (or one of the input selector keys on the remote control).	8, 12
	The SPEAKERS selector is set to OFF.	Switch the SPEAKERS selector to the appropriate position.	7
	Speaker connections are not secure.	Secure the connections.	18
The sound suddenly goes off.	The protection circuitry has been activated because of a short circuit, etc.	Check that the speaker wires are not touching each other or shorting out against the rear panel of this unit, and then turn the power of this unit back on.	18
The volume level cannot be adjusted.	MAIN DIRECT is selected as the input source.	Adjust the volume on the connected component. Or connect external component to input jacks other than MAIN IN and select the corresponding input source.	8, 9
Only the speaker on one side can be heard.	Incorrect cable connections.	Connect the cables properly. If the problem persists, the cables may be defective.	16
	Incorrect setting for the BALANCE control.	Set the BALANCE control to the appropriate position.	7
There is a lack of bass and no ambience.	The + and – wires are connected in reverse at the amplifier or the speakers.	Connect the speaker wires to the correct + and – phase.	16
A “humming” sound is heard.	Incorrect cable connections.	Connect the audio cable plugs firmly. If the problem persists, the cables may be defective.	16
	No connection from the turntable to the GND terminal.	Connect the turntable to the GND terminal of this unit.	16

Problem	Cause	Remedy	See page
The sound from the component connected to the BAL 1/BAL 2 jacks is degraded.	The sound level is higher than the maximum input level for the XLR balanced input jacks.	If the output level of the connected component is double, set the ATTENUATOR selector located below the input jacks to ATT. (-6 dB).	20
Bass is not spatial when BAL 1/BAL 2 (balanced input) is selected.	The polarity is incorrect.	Select the correct polarity with the PHASE selector.	20
The sound is degraded when listening with the headphones connected to the CD player connected to this unit.	The power of this unit is turned off.	Turn on the power of this unit.	—
The volume level is low while playing a record.	Incorrect setting for the PHONO switch on the front panel.	Switch the PHONO switch to the MM or MC position according to the type of magnetic cartridge of the turntable.	9
The remote control does not work or function properly.	Wrong distance or angle.	The remote control functions within a maximum range of 6 m (20 ft) and no more than 30 degrees off-axis from the front panel.	8
	Direct sunlight or lighting (from an inverter type of fluorescent lamp, etc.) is striking the remote control sensor of this unit.	Reposition this unit.	—
	The batteries are weak.	Replace all batteries.	14

Taking care of this unit

Polish finish on the side panels

Use of Yamaha Unicon cloth (sold separately) is recommended. For heavy dirt, use Yamaha Piano Unicon (sold separately). For purchasing, contact your nearest authorized Yamaha dealer or service center.

Other finish

When you wipe this unit, do not use chemical solvents (alcohol, thinner, etc.), which might damage the finish. Use a clean, dry cloth. For heavy dirt, dampen a soft cloth in detergent diluted with water, wring it out, and clean this unit with the cloth.

Historia viva en el mundo del sonido

El nacimiento de un piano es el resultado de una perfecta sinergia entre los conocimientos técnicos más avanzados y la diestra mano del artesano. Solo un piano creado así puede reproducir fielmente la intención de quien lo toca.

La última fase de producción de un piano recibe el nombre de “armonización” (voicing). Y es aquí donde se le infunde el alma.

Un experto con un gran bagaje a sus espaldas pone su técnica y sensibilidad al servicio del sonido de cada tecla, ajustando la ejecución dinámica de los macillos y armonizando a la perfección el tono y el color de las 88 teclas, un auténtico hito. Es una calidad de sonido solo al alcance de los especialistas con una sensibilidad y una afinación fuera de lo común. Este mismo concepto es el que aplicamos en la fabricación de nuestros equipos de audio. Los técnicos realizan incontables pruebas de sonido y todos los componentes se someten a examen para conseguir el sonido perfecto.

La calidad es la seña de identidad de Yamaha desde hace más de 125 años y sigue siendo la piedra angular de los productos Yamaha fabricados hoy.



Excelencia en audio

1920-
1960s

Primer sistema HiFi presentado en 1920

En 1955 – 1965 hemos presentado numerosos componentes HiFi (giradiscos, sintonizadores de FM/AM, amplificadores integrados, preamplificadores, amplificadores de potencia, y altavoces).



NS-20



CA-1000

Serie de Altavoces Natural Sound presentada en 1967

Altavoz monitor NS-20

Amplificador integrado CA-1000

Con un funcionamiento clase A, el CA-1000 se convirtió en la referencia de los amplificadores integrados.



NS-690



NS-1000M

1970s

Altavoces Natural Sound NS-690

Altavoz monitor NS-1000M

Un amplificador verdaderamente legendario aún reverenciado por los entusiastas de HiFi.

Amplificador de potencia B-1

Un innovador amplificador de potencia que usaba FETs verticales en todas las etapas.



B-1



C-2

Amplificador de control C-2

Primer premio en la Muestra Internacional de Música y HiFi de Milán.

Altavoz monitor de estudio NS-10M

Se convirtió en uno de los altavoces monitores de estudio más populares del mundo.



PX-2



NS-10M

Amplificador integrado A-1

Giradiscos PX-2

Primer giradiscos de brazo recto de Yamaha.



B-6



B-2x

1980s

Amplificador de potencia B-6

Amplificador de potencia en forma de pirámide.

Giradiscos GT-2000/L

Primer reproductor CD (CD-1) presentado en 1983

Amplificador de potencia B-2x

Amplificador de potencia MX-10000 y amplificador de control CX-10000

Redefinió la capacidad de los componentes separados.



MX-10000



CX-10000

Amplificador integrado AX-1

1990s

Reproductor de CD GT-CD1

Amplificador de potencia MX-1 y preamplificador CX-1

2000s

Sistemas de altavoces Natural Sound Soavo-1 y Soavo-2

Amplificador estéreo A-S2000 y reproductor CD Super Audio CD-S2000



Soavo-1



A-S2000



CD-S2000

2010s

Reproductor de red NP-S2000



NP-S2000

A-S3000

◆ *Diseño de circuito completamente flotante y equilibrado que permite aprovechar todo el potencial de la amplificación analógica*

Un amplificador de potencia flotante y equilibrado completamente nuevo que logra la simetría completa y permite la transmisión (amplificación) completamente equilibrada desde el jack de entrada hasta justo antes del jack del altavoz.

◆ *Transmisión de señal equilibrada de etapa completa*

El amplificador integrado ofrece una transmisión equilibrada de etapa completa, combinando la salida de alta potencia con una buena textura de sonido y una relación señal/ruido extraordinaria.

◆ *Volumen paralelo y control de tono*

◆ *Alimentación de gran caudal, con cuatro circuitos separados*

◆ *Diseño simétrico de izquierda-derecha con construcción fuerte y estable*

◆ *Amplificador de phono discreto*

◆ *Amplificador de auriculares de alta calidad con transductor de baja impedancia*

■ **Accesorios suministrados**

Verifique que ha recibido todos los componentes siguientes.

- Mando a distancia
- Pilas (AAA, R03, UM-4) (×2)
- Cable de alimentación
- FOLLETO DE SEGURIDAD

Índice

Controles y funciones	6
Conexiones	16
Especificaciones	24
Solución de problemas	28

■ **Acerca de este manual**

- ✨ indica un consejo para su utilización.
- El color de las imágenes de este manual puede ser diferente al original.
- Lea el "FOLLETO DE SEGURIDAD" antes de utilizar esta unidad.

A-S3000

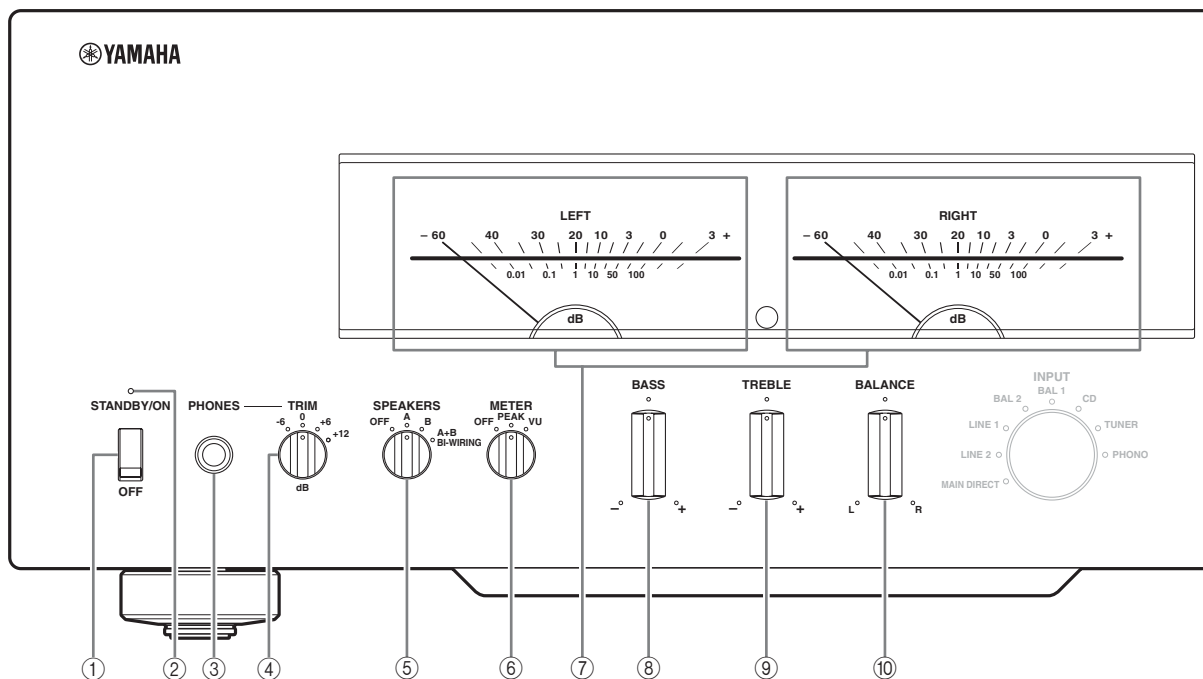
Controles y funciones

En este capítulo podrá familiarizarse con los controles y funciones del A-S3000.



Controles y funciones

■ Panel delantero (páginas 6 a 9)



① Interruptor STANDBY/ON/OFF

Enciende o apaga esta unidad.

STANDBY/ON (posición superior):

En esta posición, puede seleccionar STANDBY u ON pulsando la tecla AMP en el mando a distancia.

OFF (posición inferior):

La alimentación de esta unidad está apagada.

Notas

- Cuando encienda esta unidad, tendrá que esperar unos segundos antes de que pueda reproducir sonido.
- Si desconecta el cable de alimentación de la toma de CA y vuelve a conectarlo mientras la unidad está en el modo STANDBY, se enciende la alimentación de la unidad. Si la unidad no va a utilizarse durante un período prolongado, sitúe el interruptor STANDBY/ON/OFF en OFF.

② Indicador STANDBY/ON

Iluminación intensa:

Indica que la unidad se encuentra en la posición ON.

En este estado, puede activar el modo STANDBY pulsando la tecla AMP en el mando a distancia.

Iluminación tenue:

Indica que la unidad se encuentra en el modo STANDBY. En este estado, puede pulsar la tecla AMP en el mando a distancia para encender la unidad.

Apagado:

Indica que la unidad se encuentra en el modo OFF. En este estado, solo puede encender la unidad pulsando el interruptor STANDBY/ON/OFF.

③ Jack PHONES

Da salida a sonido para escuchar en privado con auriculares.

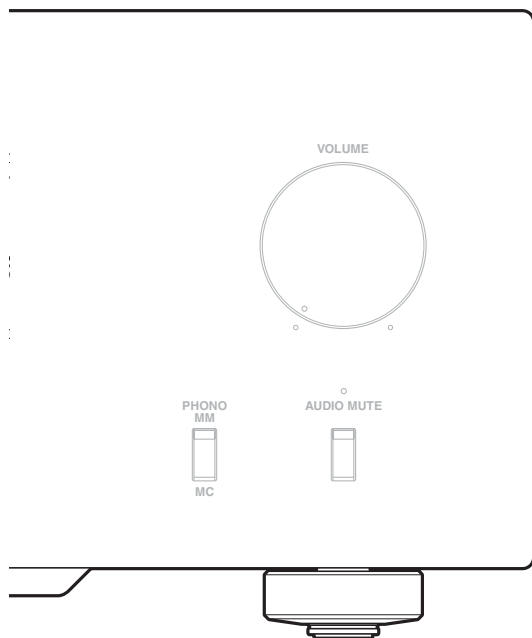
Notas

- Cuando están enchufados los auriculares:
 - Ambos juegos de altavoces conectados a los terminales SPEAKERS L/R CH se apagan.
 - No se emiten señales por los jacks PRE OUT.
 - No puede seleccionar MAIN DIRECT como fuente de entrada.
- Si los auriculares se conectan al jack PHONES mientras MAIN DIRECT está seleccionado como fuente de entrada, no se emite audio por el jack PHONES.

④ Selector TRIM

Ajusta el nivel del sonido cuando los auriculares están enchufados para evitar cambios repentinos de volumen.

Opciones: -6 dB, 0 dB, +6 dB, +12 dB



⑤ Selector SPEAKERS

Enciende o apaga el juego de altavoces conectado a los terminales SPEAKERS L/R CH A y/o B del panel trasero.

- Seleccione la posición OFF para apagar ambos juegos de altavoces.
- Seleccione la posición A o B para encender el juego de altavoces conectado a los terminales SPEAKERS L/R CH A o B.
- Seleccione la posición A+B BI-WIRING para encender los dos juegos de altavoces.

Precaución

Si utiliza dos juegos (A y B), la impedancia de cada altavoz deberá ser de 8 Ω o más alta.

⑥ Selector METER

Permite seleccionar las opciones OFF, PEAK o VU del indicador.

OFF:

Apaga el indicador y la iluminación.

PEAK:

Activa el indicador de nivel máximo. El indicador de nivel máximo muestra un nivel de salida de audio puntualmente muy alto.

VU:

Activa el indicador de nivel VU (unidad de volumen). El indicador de nivel VU muestra un nivel de salida de audio efectivo similar a la percepción humana.

⑦ Visores del indicador (LEFT/RIGHT)

Muestra el nivel de salida de audio de los canales izquierdo (LEFT) y derecho (RIGHT) en el modo VU o PEAK del indicador.

El indicador VU o PEAK puede seleccionarse con el selector METER.

⑧ Control BASS

Aumenta o disminuye la respuesta de baja frecuencia. La posición 0 produce una respuesta plana.

Margen de control: -10 dB a +10 dB

⑨ Control TREBLE

Aumenta o disminuye la respuesta de alta frecuencia. La posición 0 produce una respuesta plana.

Margen de control: -10 dB a +10 dB

⑩ Control BALANCE

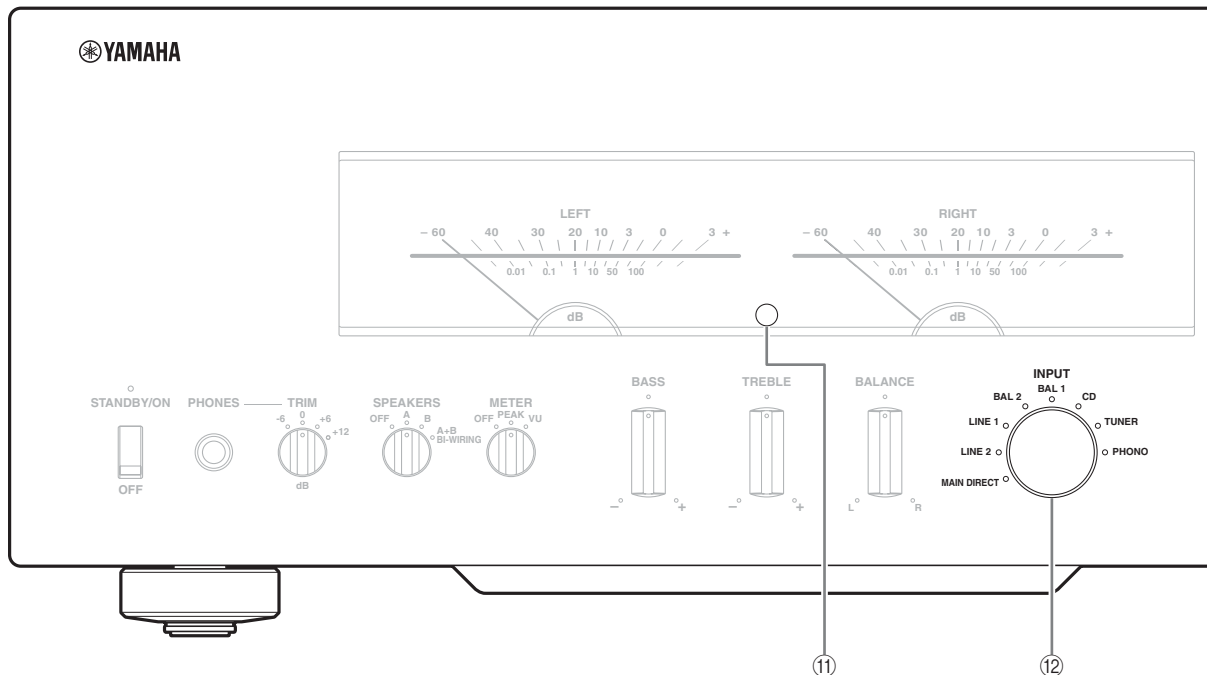
Ajusta el equilibrio de la salida de audio de los altavoces derecho e izquierdo para compensar los desequilibrios del sonido debidos a las ubicaciones de los altavoces o a las condiciones de la sala de escucha.

Notas

- Cuando ambos controles, BASS y TREBLE estén en la posición 0, la señal de audio omitirá el circuito de control de tono.
- Los controles BASS, TREBLE y BALANCE no afectan las señales recibidas por los jacks MAIN IN ni a las señales que se emiten por los jacks LINE 2 REC.

Controles y funciones

■ Panel delantero (páginas 6 a 9)

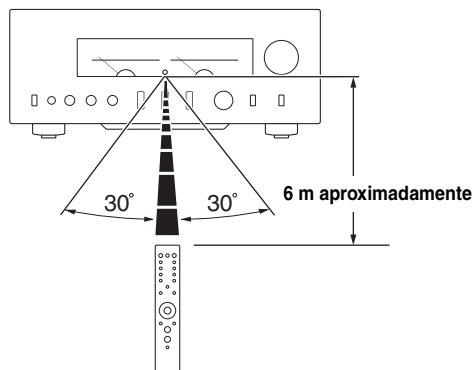


⑪ Sensor de mando a distancia

Recibe señales del mando a distancia.



El mando a distancia transmite un rayo infrarrojo direccional. Asegúrese de apuntar directamente el mando a distancia al sensor de mando a distancia del panel delantero de esta unidad durante el funcionamiento.



⑫ Selector/indicador INPUT

Permiten seleccionar la fuente de entrada reproducida. Se ilumina el indicador de la fuente de entrada seleccionada con el selector INPUT.

Las señales de audio de la fuente de entrada seleccionada se emiten también por los jacks LINE 2 REC.

MAIN DIRECT: selecciona el componente conectado a los jacks MAIN IN.

Cuando se selecciona MAIN DIRECT como fuente de entrada no se emiten señales de audio por los jacks PRE OUT, LINE 2 REC y PHONES.

LINE 1/LINE 2: selecciona el componente conectado a los jacks LINE 1 o LINE 2.

BAL 1/BAL 2: selecciona el componente conectado a los jacks BAL 1 o BAL 2 (jacks XLR equilibrados).

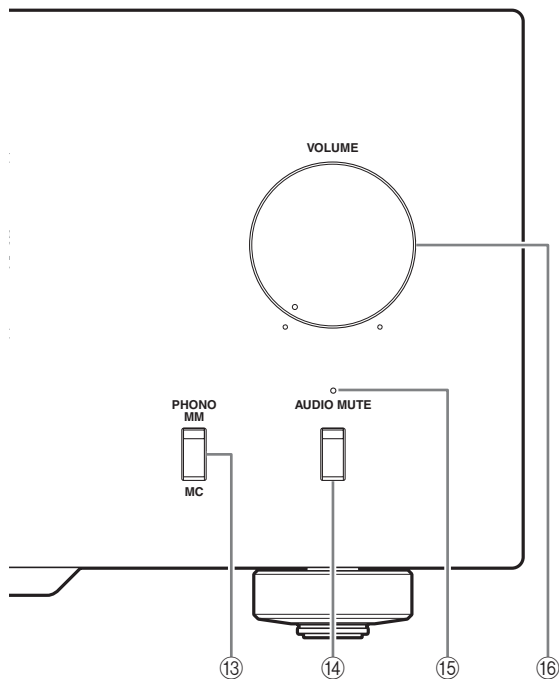
CD: selecciona el reproductor de CD conectado a los jacks CD (jacks RCA no equilibrados).

TUNER: selecciona el sintonizador conectado a los jacks TUNER.

PHONO: selecciona el giradiscos conectado a los jacks PHONO.

Nota

Al seleccionar LINE 2, no se emiten señales de audio por los jacks LINE 2 REC.



13 Interruptor PHONO

Selecciona el tipo de cápsula magnética del giradiscos conectado a los jacks PHONO del panel trasero.

- Pulse hacia arriba, hacia la posición MM, cuando el giradiscos conectado tenga una cápsula magnética móvil (MM).
- Pulse hacia abajo, hacia la posición MC, cuando el giradiscos conectado tenga una cápsula de bobina móvil (MC).



Cuando sustituya la cápsula, asegúrese de apagar esta unidad.

14 Interruptor AUDIO MUTE

Pulse para reducir el nivel de sonido actual 20 dB aproximadamente. Púselo de nuevo para reponer la salida de audio al nivel de sonido anterior.



También puede girar el control VOLUME en el panel delantero o pulsar la tecla VOLUME + o - en el mando a distancia para reanudar la salida de audio.

15 Indicador AUDIO MUTE

Se ilumina al activar la función de silencio con el interruptor AUDIO MUTE.

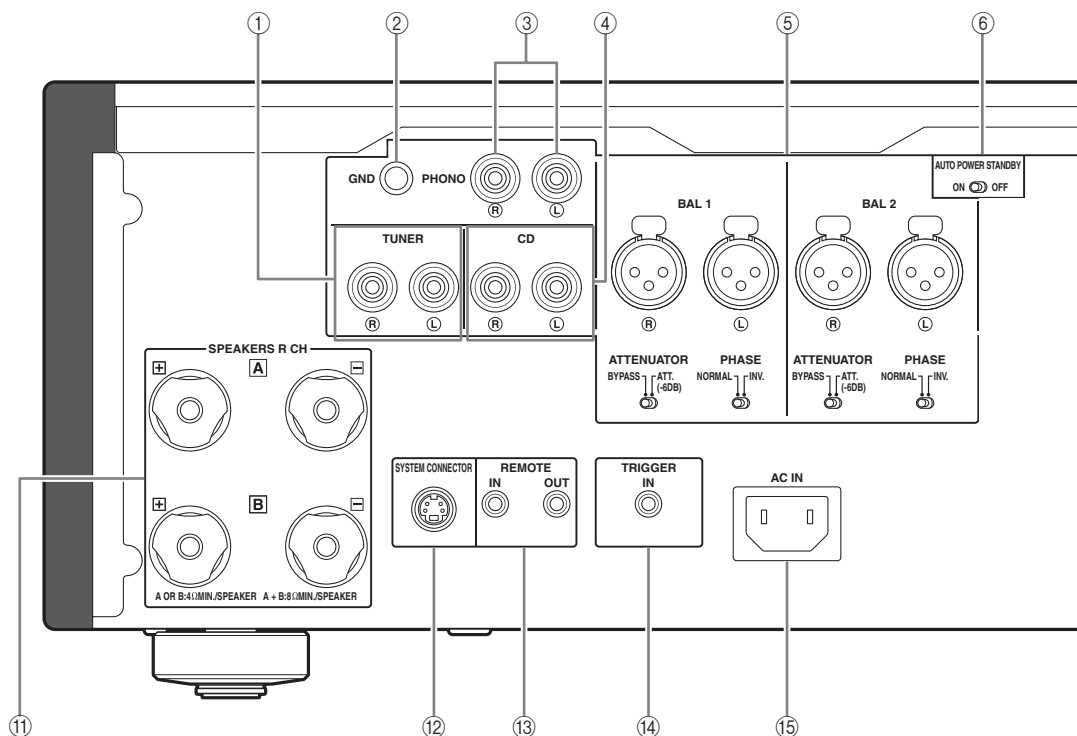
16 Control VOLUME

Controla el nivel del sonido. No afecta al nivel de salida por los jacks LINE 2 REC.

Nota

El control VOLUME no tienen ningún efecto al seleccionar MAIN DIRECT como fuente de entrada. Ajuste el nivel de volumen con el control de volumen del amplificador externo conectado a los jacks MAIN IN.

■ Panel trasero



Consulte la página 16 para obtener información sobre las conexiones.

① Jacks de entrada de TUNER

② Terminal GND (tierra)

③ Jacks de entrada de PHONO

④ Jacks de entrada de CD

⑤ Jacks de entrada BAL 1/BAL 2 (equilibrados)

Hay dos juegos de jacks de entrada equilibrados.

Configure el selector ATTENUATOR y el selector PHASE asociado a los jacks BAL 1 o BAL 2 según el reproductor conectado a los jacks correspondientes.

Para obtener más información sobre los ajustes, consulte la página 20.

⑥ Interruptor AUTO POWER STANDBY

ON:

El modo STANDBY de la unidad se activa automáticamente si no se utiliza durante 8 horas.

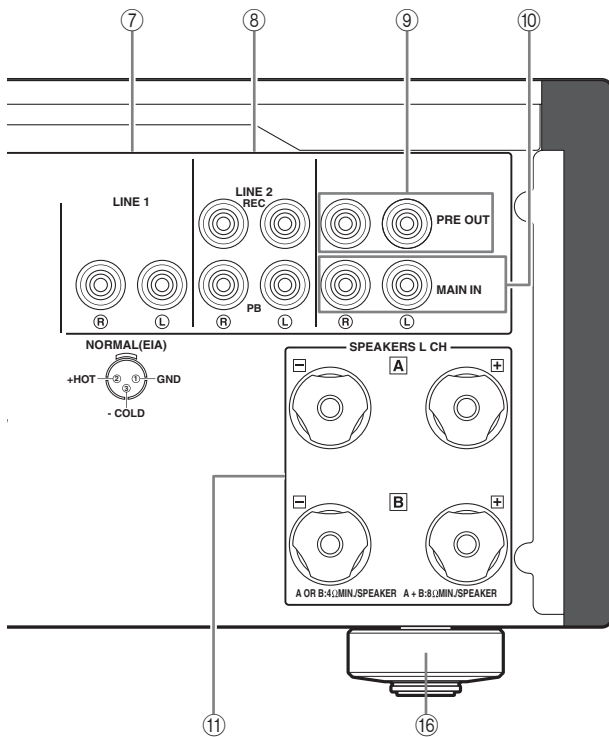
OFF:

El modo STANDBY de la unidad no se activa automáticamente.

⑦ Jacks de entrada de LINE 1

⑧ Jacks LINE 2

La unidad cuenta con jacks de entrada PB (reproducción) y jacks de salida REC (grabación).



9 Jacks PRE OUT



- Los jacks PRE OUT emiten la misma señal de canal que los terminales SPEAKERS L/R CH.
- Al conectar un cable estéreo a los jacks PRE OUT para accionar los altavoces usando un amplificador externo, no es necesario usar los terminales SPEAKERS L/R CH.
- Las señales que salen por los jacks PRE OUT se ven afectadas por los ajustes del control de BASS y TREBLE.

10 Jacks MAIN IN

Utilice estos jacks para conectar un componente externo provisto de un control de volumen.

Nota

Si selecciona MAIN DIRECT como fuente de entrada, el nivel de volumen es fijo.

Ajuste el nivel del sonido con el control de volumen del amplificador externo conectado a los jacks MAIN IN al seleccionar MAIN DIRECT como fuente de entrada.

Para obtener información sobre la conexión a los jacks MAIN IN, consulte las páginas 16 y 17.

11 Terminales SPEAKERS L/R CH

12 SYSTEM CONNECTOR

Utilice este conector para conectar un dispositivo para probar el producto al realizar operaciones de mantenimiento.

13 Jacks REMOTE IN/OUT

Utilice estos jacks para conectar un componente externo utilizado como mando a distancia. Para obtener más información sobre la conexión, consulte la página 21.

14 Jack TRIGGER IN

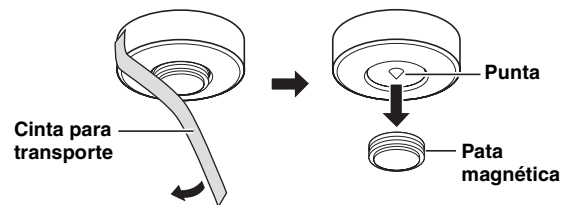
Utilice este jack para conectar un componente externo utilizado para la función de activación. Para obtener más información sobre la conexión, consulte la página 22.

15 Entrada AC IN

Use esta entrada para conectar el cable de alimentación suministrado. Para obtener más información sobre la conexión, consulte la página 19.

16 Pata

Las patas de esta unidad incluyen puntas. Usar las puntas puede reducir el efecto de las vibraciones en el aparato. Cuando use las puntas, quite la cinta utilizada para el transporte y, después, retire las patas magnéticas tirando de ellas.



Precaución

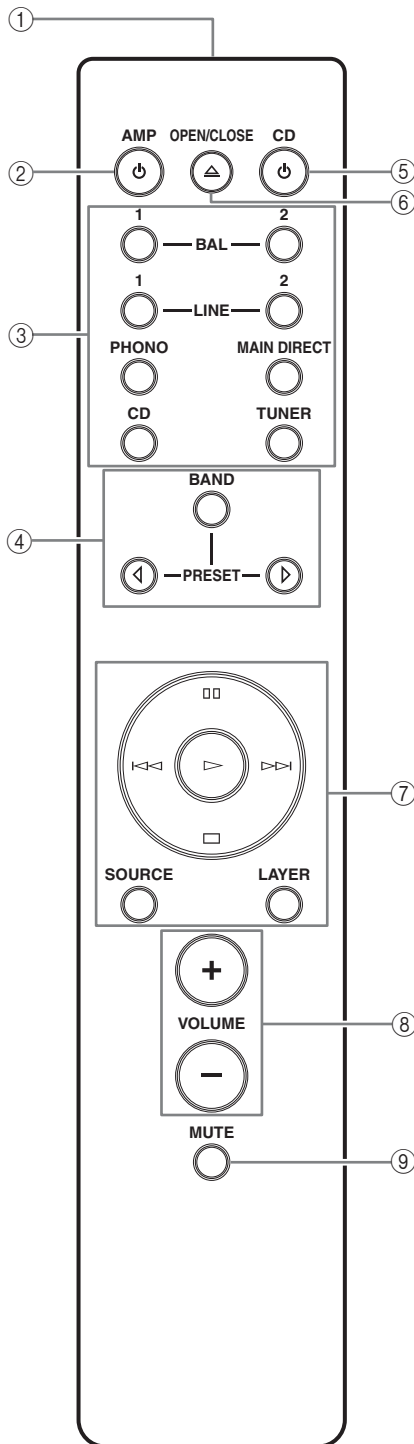
Cuando use las puntas incorporadas en las patas, las puntas podrán rayar la estantería o el suelo donde se instale esta unidad. Use las patas magnéticas o soportes adecuados cuando coloque esta unidad sobre un mueble caro, etc.





Si esta unidad no está estable podrá ajustar la altura de las patas girándolas.

Controles y funciones

■ Mando a distancia



- ① **Transmisor de señal infrarroja**
Envía señales infrarrojas de control a esta unidad.
- ② **Tecla  AMP**
Enciende esta unidad o activa el modo STANDBY. Para obtener más información sobre el modo STANDBY, consulte "Panel delantero" (página 6).
- ③ **Teclas de selección de entrada**
Permiten seleccionar la fuente de entrada reproducida. Las señales de audio de la fuente de entrada seleccionada se emiten por los jacks LINE 2 REC. 
Al seleccionar LINE 2 como fuente de entrada, no se emiten señales de audio por los jacks LINE 2 REC.
BAL: selecciona el componente conectado a los jacks BAL 1 o BAL 2 (jacks XLR equilibrados).
LINE: selecciona el componente conectado a los jacks LINE 1 o LINE 2.
PHONO: selecciona el giradiscos conectado a los jacks PHONO.
MAIN DIRECT: selecciona el componente conectado a los jacks MAIN IN. Cuando se selecciona MAIN DIRECT como fuente de entrada no se emiten señales de audio por los jacks PRE OUT, LINE 2 REC y PHONES.
CD: selecciona el reproductor de CD conectado a los jacks CD (jacks RCA no equilibrados).
TUNER: selecciona el sintonizador conectado a los jacks TUNER.
- ④ **Botones de control del sintonizador Yamaha**
Controlan las funciones del sintonizador Yamaha. Con respecto a los detalles, consulte el manual del usuario de su sintonizador.

Nota

Es posible que algunos sintonizadores Yamaha no puedan controlarse con este mando a distancia.


⑤ **Tecla  CD**

Enciende el reproductor de CD Yamaha o activa el modo STANDBY.

⑥ ** Tecla OPEN/CLOSE**


Abre y cierra la bandeja del disco del reproductor de CD Yamaha. Con respecto a los detalles, consulte el manual del usuario del reproductor de CD.

Nota


Algunos reproductores de CD Yamaha no son compatibles con la tecla CD y/o la tecla  OPEN/CLOSE de este mando a distancia.

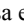
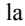
⑦ **Teclas de control del reproductor de CD Yamaha**

Controlan las diversas funciones de un reproductor de CD Yamaha. Con respecto a los detalles, consulte el manual del usuario del reproductor de CD.

 (Reproducción)

Inicia la reproducción.

 (Pausa)

Hace una pausa en la reproducción. Pulse  o  para reanudar la reproducción.

 (Parada)

Detiene la reproducción.

 /  (Salto)

Salta a la siguiente pista o vuelve al principio de la pista actual.

SOURCE

Selecciona la fuente reproducida del reproductor de CD Yamaha. La fuente reproducida cambia cada vez que se pulsa esta tecla.

LAYER

Cambia la capa de reproducción de un SA-CD híbrido entre SA-CD y CD.

⑧ **Teclas VOLUME +/-**

Controlan el nivel de volumen.

Nota

Las teclas VOLUME no tienen ningún efecto al seleccionar MAIN DIRECT como fuente de entrada. Ajuste el nivel de volumen en el amplificador externo conectado a los jacks MAIN IN.

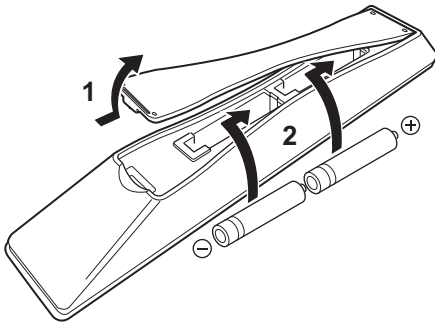
⑨ **Tecla MUTE**

Reduce el nivel de volumen actual en aproximadamente 20 dB. Púlselo de nuevo para reponer la salida de audio al nivel de sonido anterior. Al pulsar la tecla VOLUME + o - se desactiva también el modo de silencio.

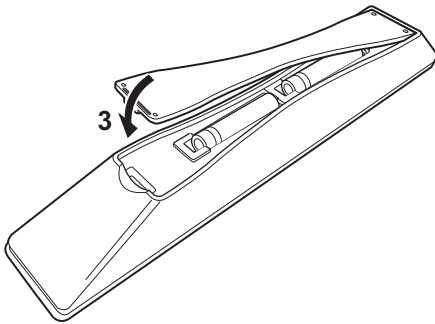
Controles y funciones

■ Instalación de las pilas en el mando a distancia

- 1 Retire la tapa del compartimento de las pilas.
- 2 Introduzca las dos pilas (AAA, R03, UM-4) teniendo en cuenta las marcas de polaridad (+ y -) del interior del compartimento de las pilas.



- 3 Vuelva a colocar la tapa del compartimento de las pilas.

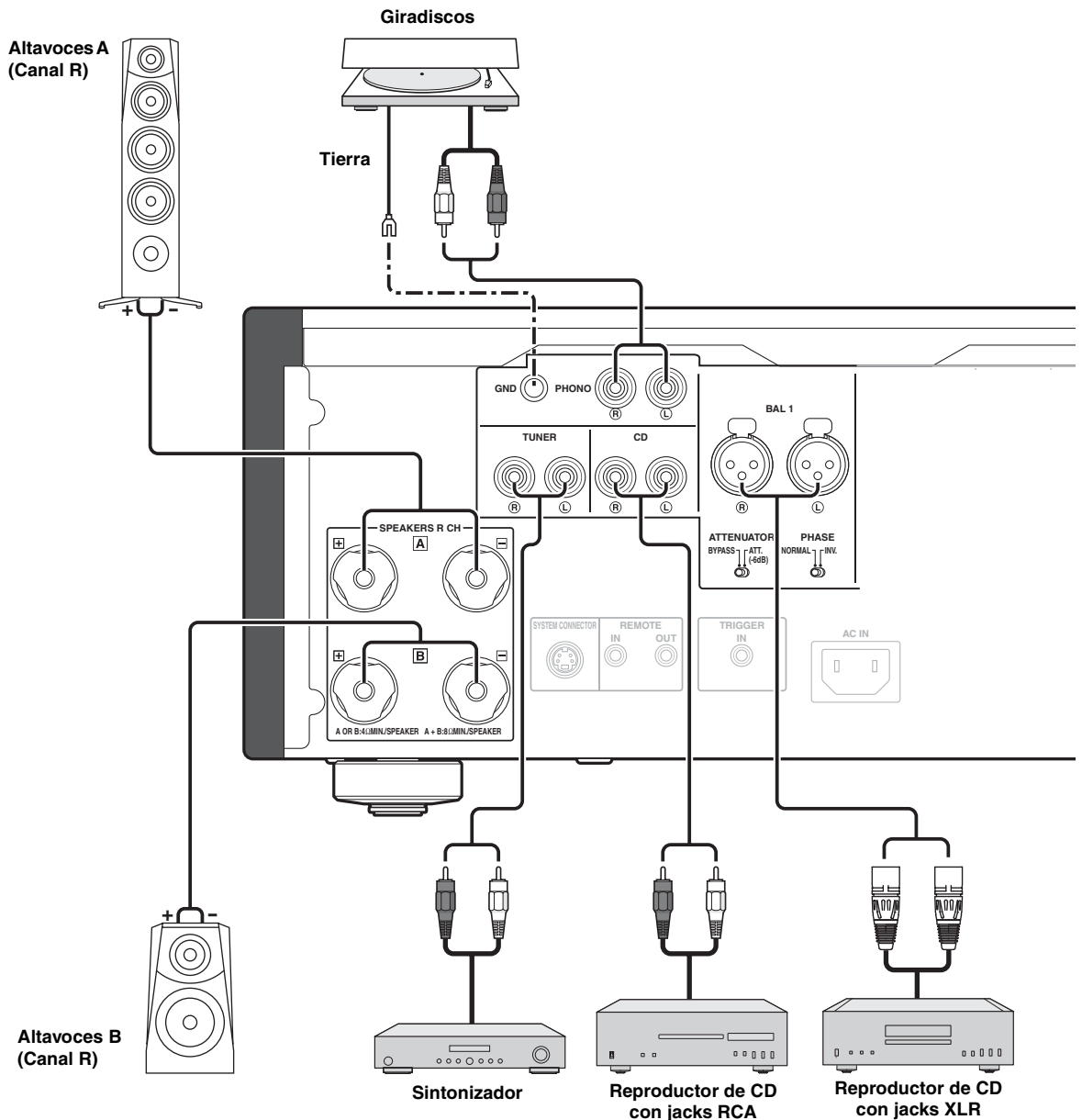




A-S3000 **Conexiones**

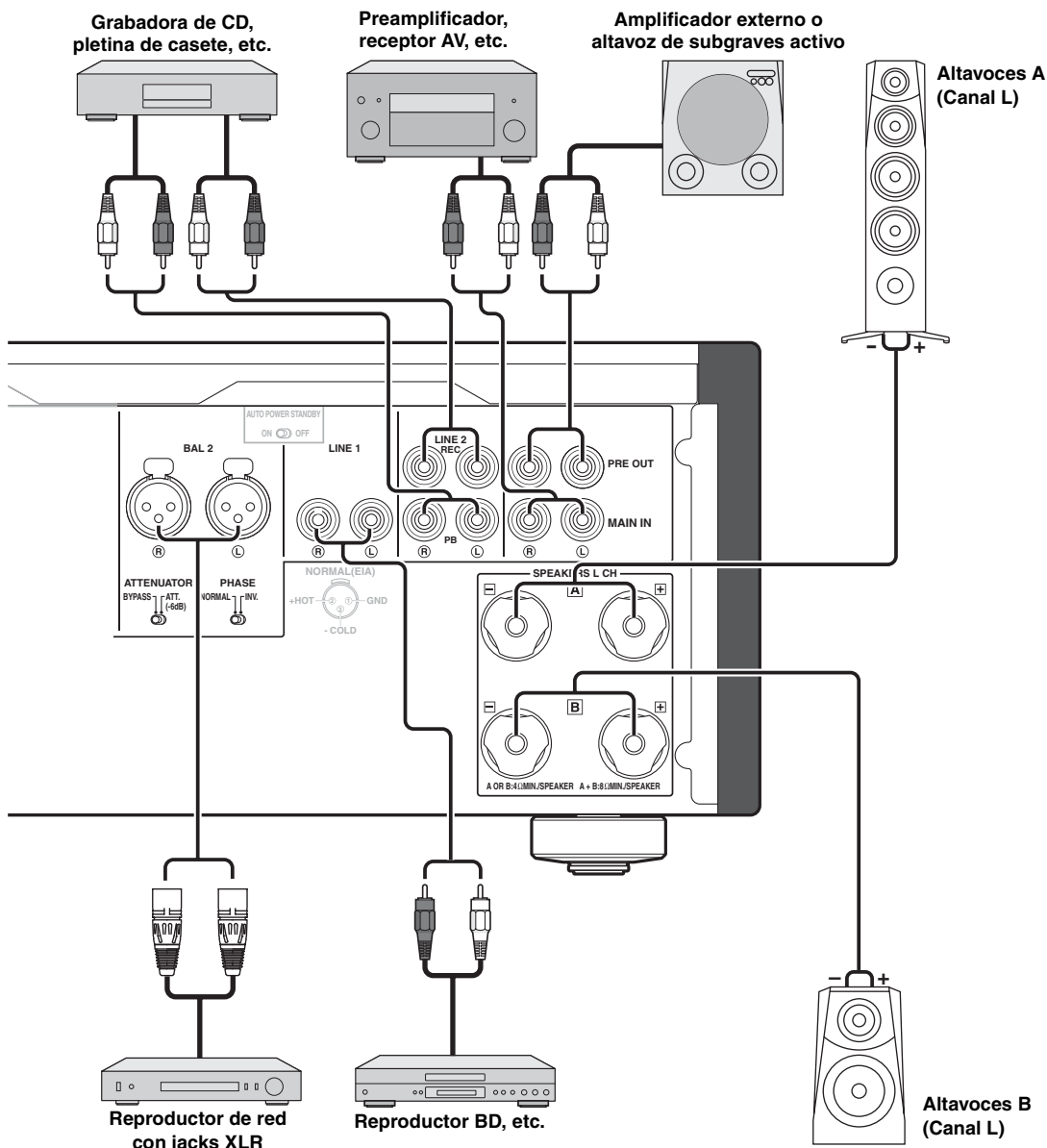
En esta sección hará las conexiones entre el A-S3000, los altavoces y los componentes fuente.

Conexiones



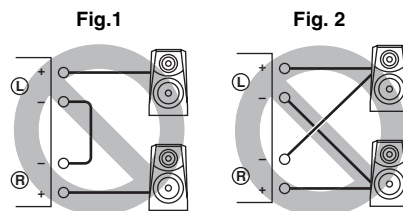
Precaución

- No deje que los cables desnudos de los altavoces se toquen entre sí o toquen cualquier parte metálica de esta unidad. Esto podría dañar esta unidad y/o los altavoces.
- Todas las conexiones deben ser correctas: L (izquierda) a L, R (derecha) a R, “+” a “+” y “-” a “-”. Si las conexiones están mal, no saldrá sonido de los altavoces, y si la polaridad de las conexiones no es correcta, el sonido no será natural y faltarán los graves. Consulte también el manual del propietario de cada uno de sus componentes.
- Use cables RCA sin equilibrar para conectar otros componentes excepto altavoces. Utilice cables equilibrados XLR para conectar un reproductor de CD o un reproductor de red con jacks de salida equilibrados XLR a jacks BAL 1 o BAL 2 de esta unidad.
- Conecte su giradiscos al terminal GND para reducir el ruido de la señal. Sin embargo, con algunos giradiscos puede que note menos ruido sin conectarlo al terminal GND.



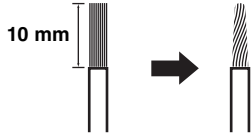
Precaución

- Como el amplificador de potencia del A-S3000 es de tipo equilibrado flotante, no son posibles los tipos de conexiones siguientes.
 - Conexión con el terminal “-” del canal izquierdo y el terminal “-” del canal derecho así como los terminales “+” (Fig. 1).
 - Conexión invertida con el terminal “-” del canal izquierdo y el terminal “-” del canal derecho, (conexión en cruz, Fig. 2).
 - Conexión deliberada con los terminales “-” del canal izquierdo/derecho y la pieza metálica del panel trasero de esta unidad, así como tocarlos accidentalmente.
- No conecte su altavoz de subgraves activo al terminal SPEAKERS L/R CH. Conéctelo a los jacks PRE OUT de esta unidad.
- No conecte un componente sin control de volumen, como un reproductor de CD, a los jacks MAIN IN, ya que el nivel de volumen de las señales recibidas por los jacks MAIN IN es fijo. Si conecta un equipo de este tipo, puede producirse un sonido estridente, que puede provocar daños en la unidad y/o el altavoz.

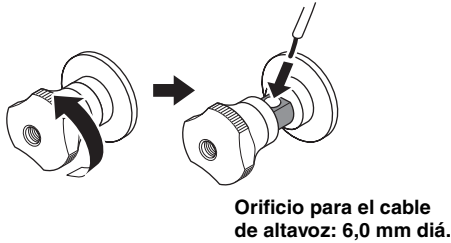


■ Conexión de altavoces

- 1 Quite aproximadamente 10 mm de aislamiento del extremo de cada cable de altavoz y luego retuerza juntos los hilos expuestos del cable para evitar cortocircuitos.



- 2 Desatornille la perilla y luego inserte el cable pelado en el agujero.



- 3 Apriete la perilla.



Precaución

- Al desatornillar la perilla del terminal del altavoz, no gire demasiado. De lo contrario, la perilla puede caerse y suponer un riesgo para la salud de los niños, que pueden tragársela.
- El contacto del terminal del altavoz con un armario metálico puede provocar cortocircuitos y daños en la unidad. Si instala la unidad en un armario, deje una distancia suficiente para evitar que los terminales del altavoz entren en contacto con el armario.
- Para reducir el riesgo de descarga eléctrica, no toque el terminal del altavoz con la unidad encendida.

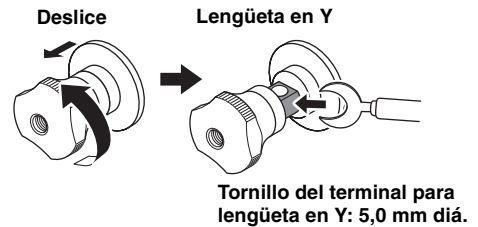
■ Conexión de la clavija tipo banana (Excepto los modelos para Europa)

Primero apriete la perilla y luego inserte la clavija tipo banana en el extremo del terminal correspondiente.



■ Conexión de una lengüeta en Y

- 1 Desatornille la perilla y luego meta la lengüeta en Y entre la parte del anillo y la base.



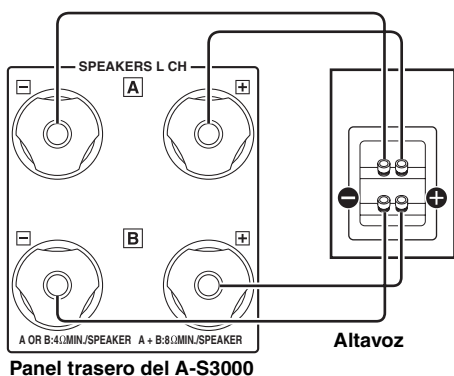
- 2 Apriete la perilla.



■ Conexión bicable

La conexión bicable separa el altavoz de subgraves de la sección combinada de altavoz de gama central y altavoz de agudos. Un altavoz compatible con bicable tiene cuatro terminales tipo borne. Estos dos juegos de terminales permiten dividir el altavoz en dos secciones independientes. Con esta división se conectan las bocinas de frecuencia media y alta a un juego de terminales y la bobina de baja frecuencia al otro par.

Ejemplo de conexión bicable (canal L)



Precaución

Para usar conexiones bicable, la impedancia de cada altavoz deberá ser de 8 Ω o más alta.

Nota

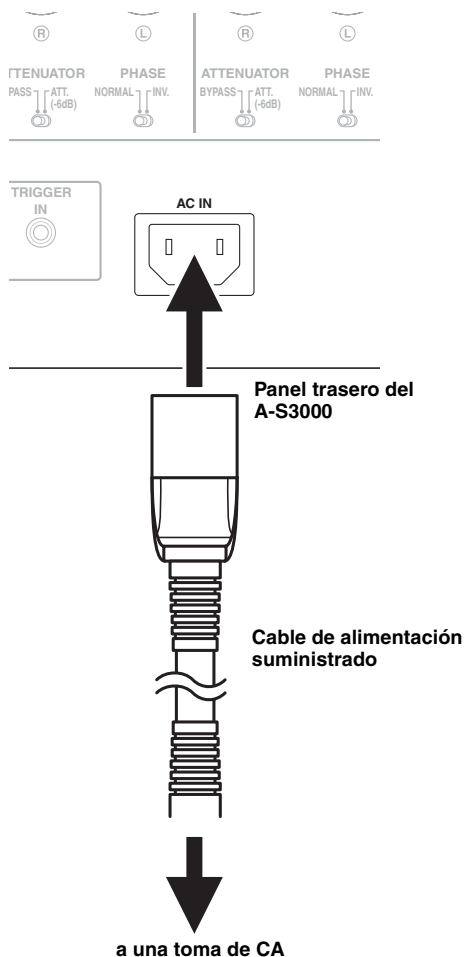
Retire las barras o puentes de cortocircuito para separar las redes de cruce LPF (filtro pasabajos) y HPF (filtro pasaltos).



Para usar las conexiones bicable, ponga el selector SPEAKERS en la posición A+B BI-WIRING.

■ Conexión del cable de alimentación

Enchufe el cable de alimentación en la entrada AC IN cuando termine todas las conexiones y, luego, enchufe el cable de alimentación en la toma de CA.



Conexione

■ Conexión a los jacks BAL 1/BAL 2

Conecte su reproductor de CD o su reproductor de red con los jacks de salida equilibrada XLR.

Configure el selector ATTENUATOR y el selector PHASE situados debajo de los jacks BAL 1 o BAL 2 según el componente conectado.

Selector ATTENUATOR:

Seleccione el nivel de entrada permitido para los jacks de entrada equilibrada XLR. Si el sonido del componente conectado sale distorsionado, sitúe el selector ATTENUATOR en la posición ATT. (-6 dB).

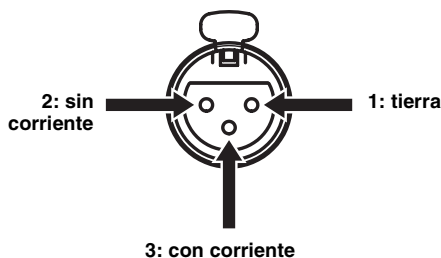
Selector PHASE:

Seleccione la asignación del contacto con corriente de los jacks de entrada equilibrada XLR (contacto 2 con corriente o contacto 3 con corriente).

NORMAL (contacto 2 con corriente)



INV. (contacto 3 con corriente)



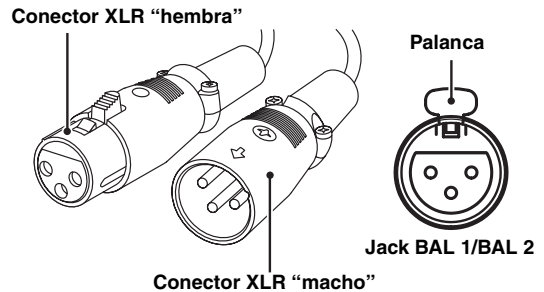
Consulte el manual del propietario entregado con el componente conectado y compruebe la asignación del contacto con corriente de sus jacks de salida equilibrada XLR.



Los reproductores de CD Yamaha están configurados con la opción NORMAL (contacto 2 con corriente).

Conectores XLR:

Cuando realice la conexión, asegúrese de casar los contactos e inserte el conector del cable equilibrado XLR "macho" hasta que oiga un "clac". Cuando lo desconecte, tire del cable equilibrado XLR "macho" mientras mantiene presionada la palanca del jack BAL 1 o BAL 2.

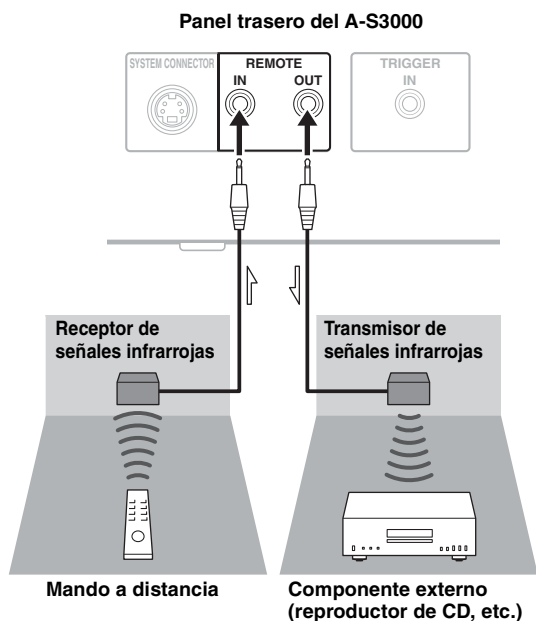


Nota

Para usar la conexión equilibrada XLR, tendrá que seleccionar BAL 1 o BAL 2 como fuente de entrada.

■ Control de esta unidad desde otra habitación

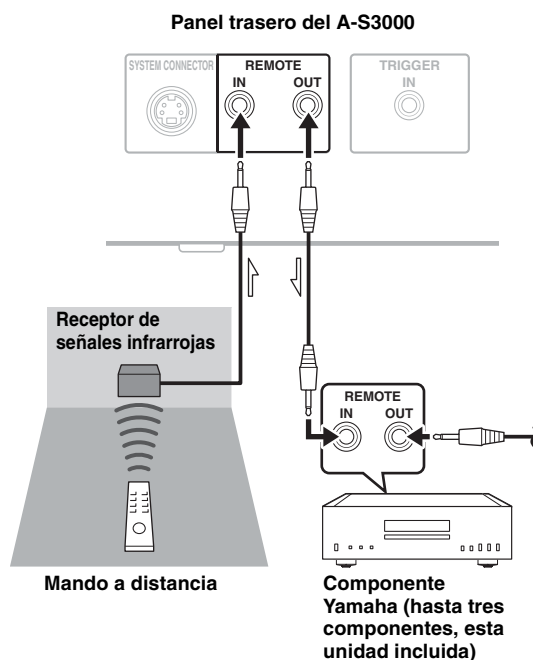
Si conecta un receptor y un transmisor de señales infrarrojas a los jacks REMOTE IN/OUT de esta unidad, podrá controlar la unidad y/o un componente externo con el mando a distancia suministrado desde otra habitación.



■ Conexión remota entre componentes Yamaha

Si tiene otro componente Yamaha compatible con la conexión remota, como esta unidad, no es necesario el transmisor de señales infrarrojas. Las señales remotas pueden transmitirse conectando un receptor de señales infrarrojas y el jack REMOTE IN del otro componente a los jacks REMOTE IN/OUT de esta unidad mediante cables con minitomas monoaurales.

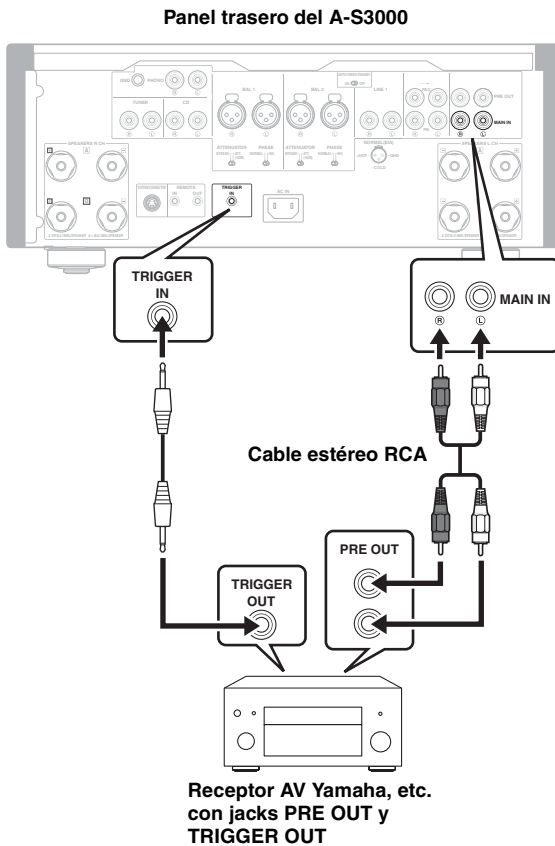
Pueden conectarse un máximo de tres componentes Yamaha (incluida esta unidad).



■ Conexión de un componente compatible con la función de activación, como un receptor AV Yamaha

Las operaciones de esta unidad pueden controlarse de forma sincronizada con las operaciones del componente conectado, como un receptor AV Yamaha (alimentación ON/STANDBY o selección de la entrada MAIN DIRECT).

Conecte los jacks PRE OUT y el jack TRIGGER OUT del receptor AV Yamaha a esta unidad tal y como se muestra a continuación:



Al encender el componente conectado, se enciende esta unidad y se selecciona automáticamente la entrada MAIN DIRECT.

Al seleccionar MAIN DIRECT como fuente de entrada, se activa el modo STANDBY de esta unidad si se apaga el componente conectado.

Nota

Para que la sincronización sea posible, debe apagar esta unidad antes de conectar el componente a los jacks MAIN IN. La sincronización no puede activarse si el selector STANDBY/ON/OFF de la unidad se encuentra en la posición OFF.

A-S3000

Especificaciones

En esta sección encontrará las especificaciones técnicas del A-S3000.



Especificaciones

SECCIÓN DE ALIMENTACIÓN

- Potencia de salida nominal
 - (8 Ω, 20 Hz a 20 kHz, 0,07% THD) 90 W + 90 W
 - (4 Ω, 20 Hz a 20 kHz, 0,07% THD) 145 W + 145 W
- Potencia dinámica (IHF)
 - (8 Ω) 100 W + 100 W
 - (6 Ω) 130 W + 130 W
 - (4 Ω) 180 W + 180 W
 - (2 Ω) 290 W + 290 W
- Techo dinámico
 - (8 Ω) 0,79 dB
- Potencia de salida máxima
 - [Modelos del R.U. y Europa solamente]
 - (1 kHz, THD de 0,7%, 4 Ω) 170 W + 170 W
- Potencia de salida efectiva máxima (JEITA)
 - [Modelos de Taiwán, China, Corea, Asia y el R.U. solamente]
 - (1 kHz, 10% THD, 8 Ω) 110 W + 110 W
 - (1 kHz, 10% THD, 4 Ω) 190 W + 190 W
- Potencia de salida IEC [Modelos del R.U. y Europa solamente]
 - (1 kHz, THD de 0,02%, 8 Ω) 105 W + 105 W
- Ancho de banda de potencia
 - (MAIN L/R, 0,1% THD, 45 W, 8 Ω) 10 Hz a 60 kHz
- Factor de amortiguación
 - (1 kHz, 8 Ω) 250 o superior
- Señal de entrada máxima
 - PHONO MM (1 kHz, 0,003% THD) 50 mVrms
 - PHONO MC (1 kHz, 0,003% THD) 2,3 mVrms
 - CD, etc. (1 kHz, 0,5% THD) 2,80 Vrms
 - BAL 1/BAL 2 (1 kHz, 0,5% THD)
 - (BYPASS) 2,80 Vrms
 - (ATT. -6 dB) 5,60 Vrms
- Tensión de salida nominal/impedancia de salida
 - REC OUT 200 mVrms/1,5 kΩ
 - PRE OUT 1,0 Vrms/1,5 kΩ
- Respuesta de frecuencia
 - CD, etc. (5 Hz a 100 kHz) +0/-3 dB
 - CD, etc. (20 Hz a 20 kHz) +0/-0,3 dB
- Desviación de equalización RIAA
 - PHONO MM ±0,5 dB
 - PHONO MC ±0,5 dB
- Distorsión armónica total
 - PHONO MM a REC OUT
 - (20 Hz a 20 kHz, 1,2 Vrms) 0,005%
 - PHONO MC a LINE 2 REC
 - (20 Hz a 20 kHz, 1,2 Vrms) 0,02%
 - BAL 1/BAL 2 a SPEAKERS
 - (20 Hz a 20 kHz, 50 W/8 Ω) 0,025%
 - CD, etc. a SPEAKERS
 - (20 Hz a 20 kHz, 50 W/8 Ω) 0,025%
- Relación señal a ruido (red IHF-A)
 - PHONO MM (5 mVrms, Entrada cortocircuitada) 93 dB
 - PHONO MC (500 μVrms, Entrada cortocircuitada) 85 dB
 - CD, etc. (200 mVrms, Entrada cortocircuitada) 103 dB
- Ruido residual (red IHF-A) 33 μVrms

SECCIÓN DE CONTROL

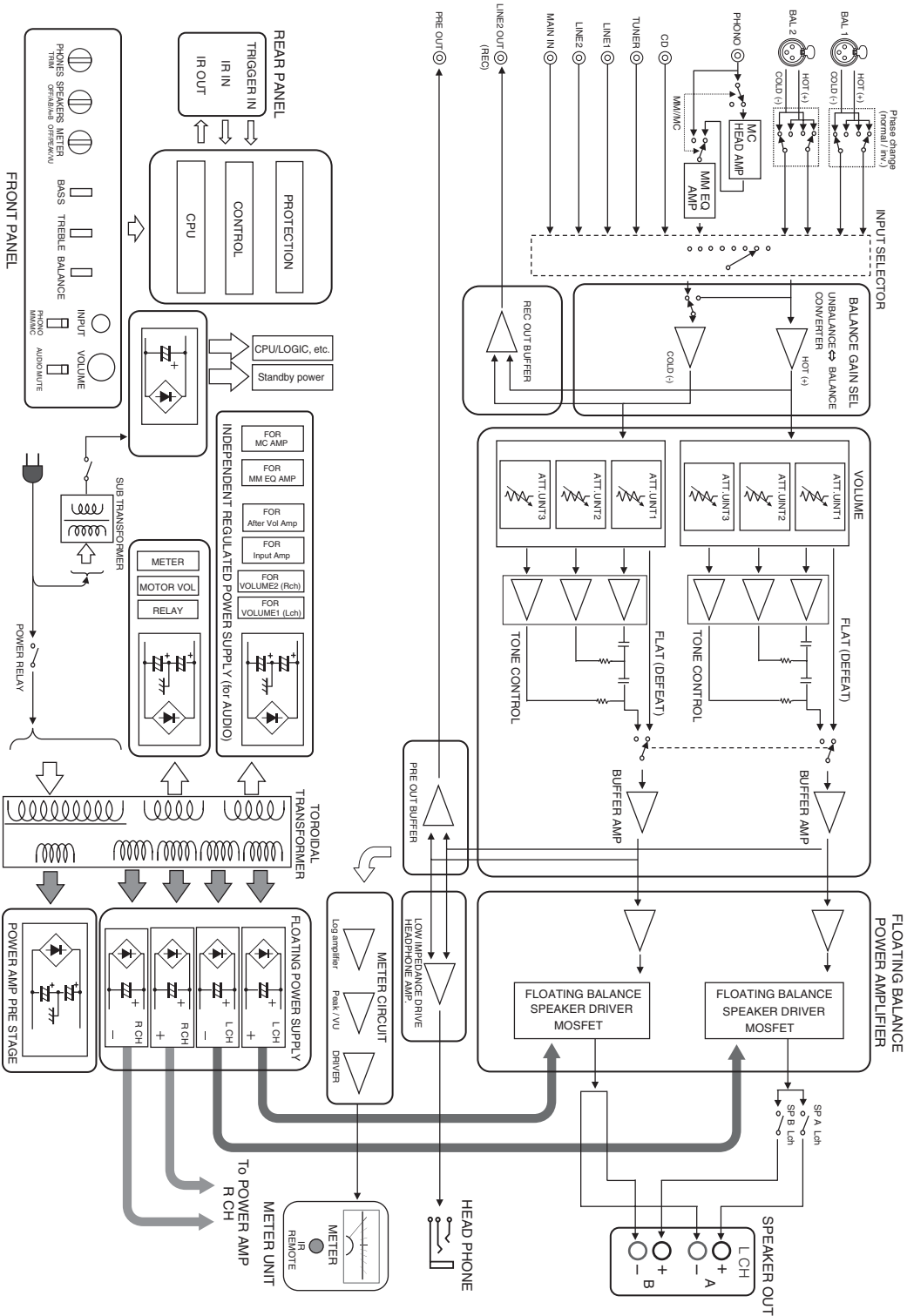
- Sensibilidad de entrada/Impedancia de entrada
 - CD, etc. 200 mVrms/47 kΩ
 - PHONO MM 2,5 mVrms/47 kΩ
 - PHONO MC 100 μVrms/50 Ω
 - MAIN IN 1 Vrms/47 kΩ
 - BAL 1/BAL 2 200 mVrms/100 kΩ
- Potencia de salida nominal de la toma de auriculares
 - CD, etc. (1 kHz, 32 Ω, 0,2% THD) 70 mW + 70 mW
- Separación de canales
 - CD, etc. (Entrada, 5,1 kW terminado, 1 kHz/10 kHz) 74/54 dB o superior
 - PHONO MM
 - (Entrada cortocircuitada, 1 kHz/10 kHz, Vol.: -30 dB) 90/77 dB o superior
 - PHONO MC
 - (Entrada cortocircuitada, 1 kHz/10 kHz, Vol.: -30 dB) 66/77 dB o superior
- Características de control de tono
 - BASS
 - Refuerzo/corte (50 Hz) ±9 dB
 - Frecuencia de transición 350 Hz
 - TREBLE
 - Refuerzo/corte (20 kHz) ±9 dB
 - Frecuencia de transición 3,5 kHz

GENERALIDADES

- Alimentación
 - [Modelos de EE.UU. y Canadá] CA 120 V, 60 Hz
 - [Modelo de Taiwán] CA 110 V, 60 Hz
 - [Modelo de China] CA 220 V, 50 Hz
 - [Modelo de Corea] CA 220 V, 60 Hz
 - [Modelo de Australia] CA 240 V, 50 Hz
 - [Modelos del R.U. y Europa] CA 230 V, 50 Hz
 - [Modelo de Asia] CA 220 -240 V, 50/60 Hz
- Consumo
 - [Modelos de EE.UU. y Canadá] 500 VA
 - [Otros modelos] 350 W
- Consumo de energía en reposo 0,3 W
- Consumo de potencia máximo
 - [Modelo de Taiwán] 700 W
- Dimensiones (An. × Al. × Prof.) 435 × 180 × 464 mm
- Peso 24,6 kg

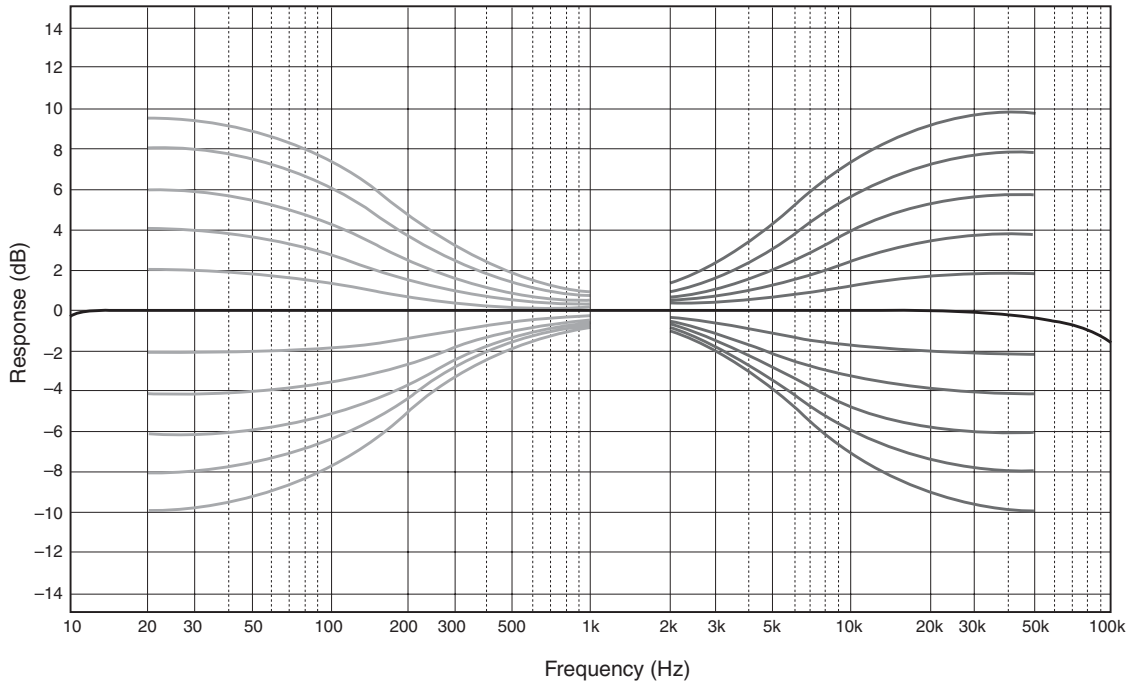
* Las especificaciones están sujetas a cambios sin previo aviso.

■ Diagrama en bloques

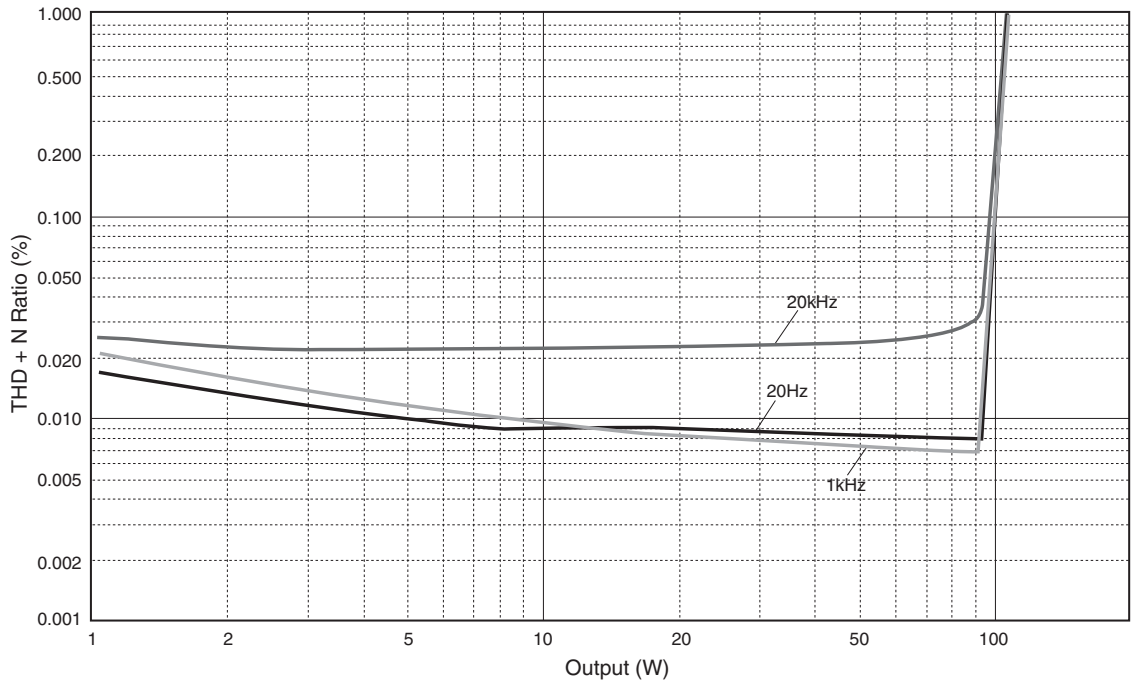


Especificaciones

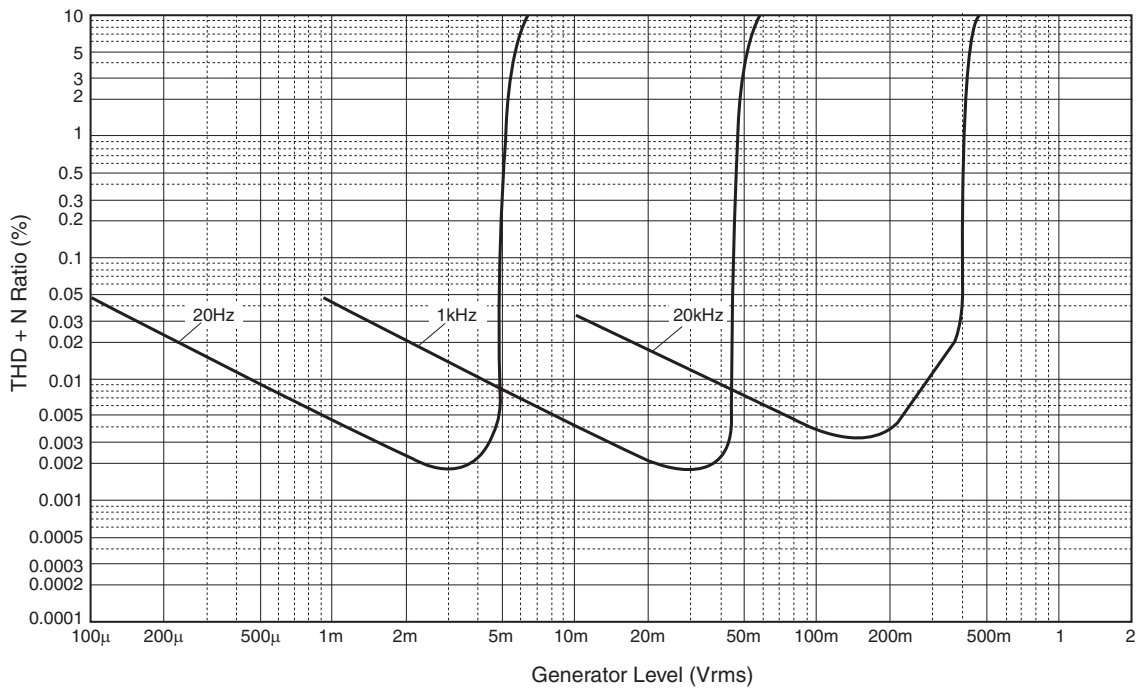
■ Características de control de tono



■ Distorsión armónica total



■ Distorsión armónica total (PHONO)



Solución de problemas

Consulte la tabla de abajo si esta unidad no funciona correctamente. Si el problema que tiene no está en la lista que aparece a continuación o las instrucciones siguientes no le sirven de ayuda, apague esta unidad, desconecte el cable de alimentación y póngase en contacto con el centro de servicio o distribuidor Yamaha autorizado más cercano.

Problema	Causa	Remedio	Vea la página
Esta unidad no se enciende.	El cable de alimentación no está conectado a la entrada AC IN del panel trasero o no está enchufado a la toma de CA.	Conecte firmemente el cable de alimentación.	19
	El circuito de protección se ha activado debido a un cortocircuito, etc.	Verifique que los cables de los altavoces no se toquen entre sí, o que no estén cortocircuitados al panel trasero de esta unidad, y luego vuelva a conectar la alimentación de esta unidad.	18
	Esta unidad ha sido expuesta a una descarga eléctrica externa intensa (rayo o electricidad estática intensa).	Apague esta unidad, desconecte el cable de alimentación, vuelva a conectarlo cuando hayan pasado 30 segundos y, después, utilice normalmente la unidad.	—
El indicador STANDBY/ON del panel delantero parpadea.	El circuito de protección se ha activado debido a un cortocircuito, etc.	Verifique que los cables de los altavoces no se toquen entre sí, o que no estén cortocircuitados al panel trasero de esta unidad, y luego vuelva a conectar la alimentación de esta unidad.	18
	Hay un problema con los circuitos internos de esta unidad.	Desconecte el cable de alimentación y póngase en contacto con el centro de servicio o distribuidor Yamaha autorizado más cercano.	—
El indicador INPUT del panel delantero parpadea y el volumen baja cuando se conecta la alimentación de esta unidad.	El circuito de protección se ha activado debido a un cortocircuito, etc.	Verifique que los cables de los altavoces no se toquen entre sí, o que no estén cortocircuitados al panel trasero de esta unidad, y luego vuelva a conectar la alimentación de esta unidad.	18
No se escucha ningún sonido.	Conexiones de los cables de entrada o salida mal hechas.	Conecte correctamente los cables. Si sigue habiendo problemas, los cables están en mal estado.	16
	No se ha seleccionado una fuente de entrada apropiada.	Seleccione la fuente de entrada apropiada con el selector INPUT del panel delantero (o una de las teclas de selección de entrada del mando a distancia).	8, 12
	El selector SPEAKERS está ajustado en OFF.	Ponga el selector SPEAKERS en la posición apropiada.	7
	Las conexiones de los altavoces no están seguras.	Asegure las conexiones.	18
El sonido se apaga repentinamente.	El circuito de protección se ha activado debido a un cortocircuito, etc.	Verifique que los cables de los altavoces no se toquen entre sí, o que no estén cortocircuitados al panel trasero de esta unidad, y luego vuelva a conectar la alimentación de esta unidad.	18
No es posible ajustar el nivel de volumen.	MAIN DIRECT está seleccionado como fuente de entrada.	Ajuste el volumen en el componente conectado. O bien conecte un componente externo a un jack de entrada diferente de MAIN IN y seleccione la fuente de entrada correspondiente.	8, 9
Solo se oye el altavoz de un lado.	Las conexiones de los cables están mal hechas.	Conecte correctamente los cables. Si sigue habiendo problemas, los cables están en mal estado.	16
	Ajuste incorrecto del control BALANCE.	Ponga el control BALANCE en la posición apropiada.	7

Problema	Causa	Remedio	Vea la página
Faltan tonos graves y no hay sonido ambiental.	Los cables + y – están conectados al revés al amplificador o a los altavoces.	Conecte los cables de los altavoces a los terminales + y – correctos.	16
Se oye un sonido de zumbido.	Las conexiones de los cables están mal hechas.	Conecte firmemente las clavijas del cable de audio. Si sigue habiendo problemas, los cables están en mal estado.	16
	No hay conexión del giradiscos al terminal GND.	Conecte el giradiscos al terminal GND de esta unidad.	16
El sonido del componente conectado a los jacks BAL 1/BAL 2 se degrada.	El nivel de sonido es superior al nivel de entrada máximo para los jacks de entrada equilibrada XLR.	Si el nivel de salida del componente conectado es el doble, sitúe el selector ATTENUATOR situado debajo de los jacks de entrada en ATT. (-6 dB).	20
Los graves no tienen efecto espacial cuando se selecciona BAL 1/BAL 2 (entrada equilibrada).	La polaridad es incorrecta.	Seleccione la polaridad correcta con el selector PHASE.	20
El sonido se degrada cuando se escucha con los auriculares conectados al reproductor de CD conectado a esta unidad.	La alimentación de esta unidad está apagada.	Conecte la alimentación de esta unidad.	—
El nivel del sonido está bajo mientras se reproduce un disco.	Ajuste incorrecto del conmutador PHONO del panel frontal.	Ponga el conmutador PHONO en la posición MM o MC según el tipo de cápsula magnética del giradiscos.	9
El mando a distancia no funciona bien.	Distancia o ángulo equivocados.	El mando a distancia funcionará dentro de una distancia de 6 m y sin exceder un ángulo de 30 grados a partir del eje central del panel delantero.	8
	La luz solar directa o de otras luces (lámpara fluorescente tipo inversor, etc.) cae directamente sobre el sensor de mando a distancia de esta unidad.	Cambie la posición de esta unidad.	—
	Las pilas están casi agotadas.	Cambie todas las pilas.	14

Cuidados de esta unidad

Acabado pulido de los paneles laterales

Se recomienda utilizar un paño Unicon de Yamaha (de venta por separado). En el caso de suciedad persistente, utilice el paño Unicon para Piano de Yamaha (de venta por separado). Para adquirir estos productos, póngase en contacto con el centro de servicio o distribuidor Yamaha autorizado más cercano.

Otros acabados

Cuando limpie esta unidad no use disolventes químicos (alcohol, diluyente de pintura, etc.), ya que pueden dañar el acabado. Use un paño limpio y seco. Para la suciedad difícil de limpiar, moje un paño blando en detergente diluido en agua, escúrralo y luego páselo por la unidad para limpiarla.

