

YAMAHA

MARIMBA

OWNER'S MANUAL

YM-1430

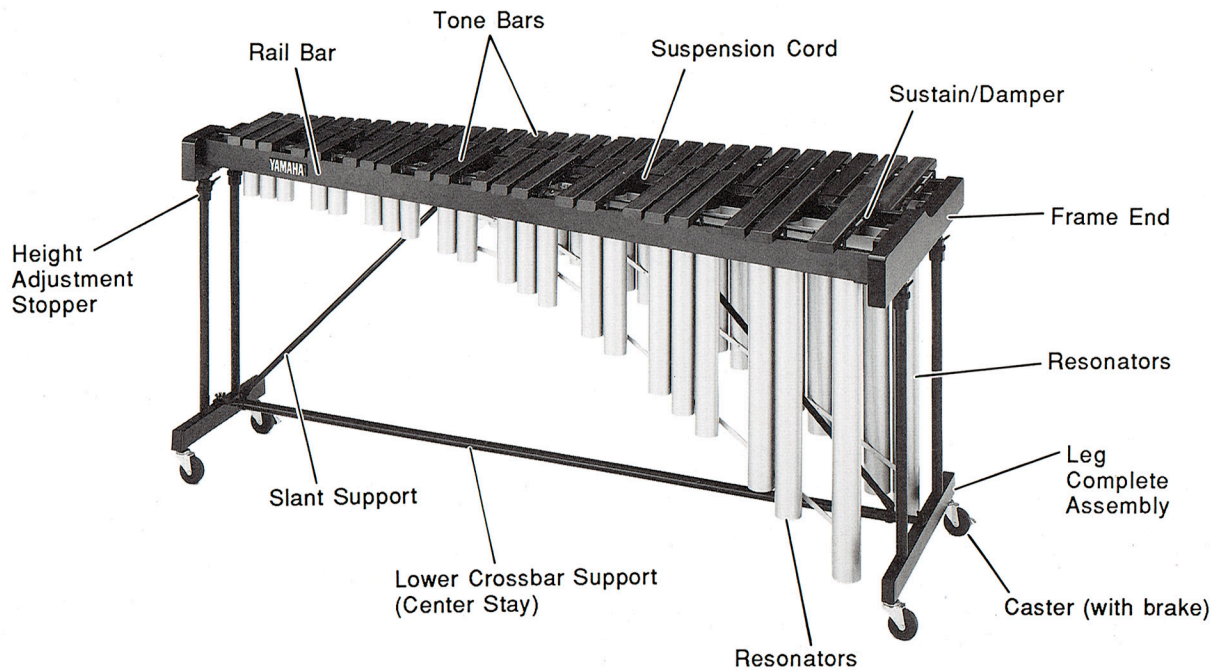
Thank you for selecting a YAMAHA
musical instrument. We are confident that
the instrument will bring you years
of musical enjoyment and satisfaction.

Please read through this booklet carefully. It contains
important information about your instrument's care.
Your new YAMAHA instrument, like all YAMAHA musical
instruments, is the result of careful planning, testing
and assembly using select materials. Proper care
will ensure that your YAMAHA instrument will deliver
its full and rich sound for years to come.

Contents

NOMENCLATURE	2
ASSEMBLY	3
HEIGHT ADJUSTMENT	6
PRECAUTIONS AND CARE	7
SPECIFICATIONS	8
YAMAHA MALLETS	9

NOMENCLATURE



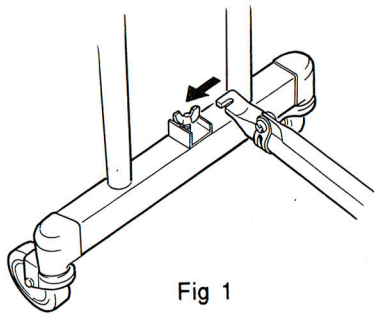


Fig 1

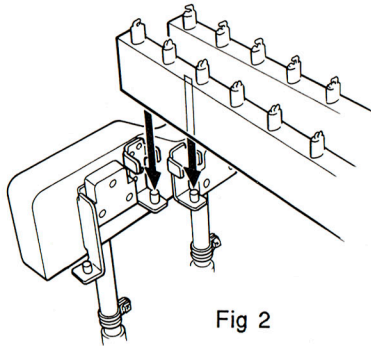


Fig 2

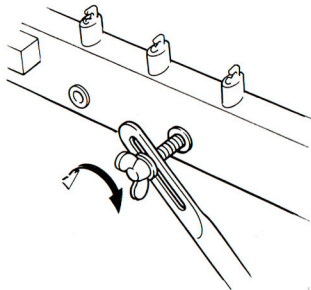


Fig 3

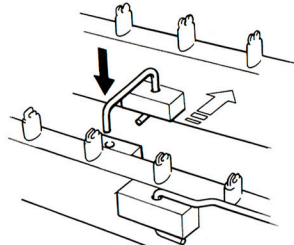


Fig 4

- 1 Attach the lower crossbar support to the left and right leg bases. And tighten the wing bolts.
- 2 Place the two inside rails (B-F, C-G) onto the frame, matching the letters. (Fig 2)
- 3 Attach the rails and lower crossbar support with the slant supports by aligning the slant supports with the screw hole on the outer side of the rail (B-F). Tighten the wing bolts. (Fig 3)
- 4 Connect the centers of the two rails with the clamp. Hook the clamp by widening the space between the rails. (Fig 4)

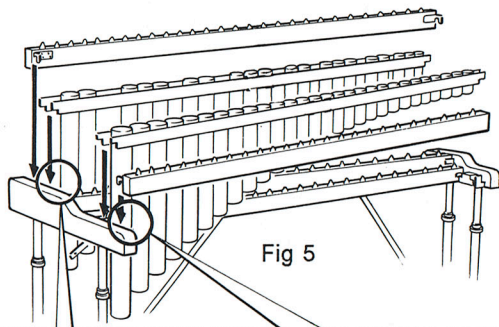


Fig 5

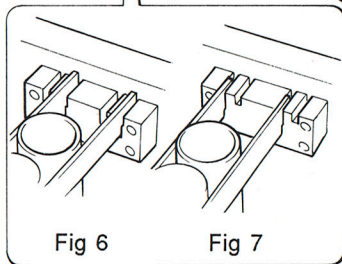


Fig 6

Fig 7

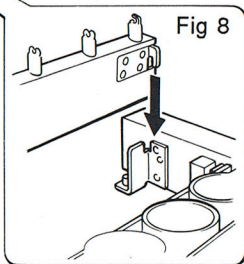


Fig 8

- 5 Place the resonators into the frame. (Fig 5)
- 6 When placing the resonators in the resonator holder, place in the shallower groove if the room temperature is higher than 22°C (72°F), (Fig 6) or in the deeper groove if it is lower than 22°C (72°F). (Fig 7)
- 7 Place the outer rails (A-E, D-H) onto the frame. (Fig 8) Then connect the natural tone side rail to the accidental tone side by means of the clamp in the center.

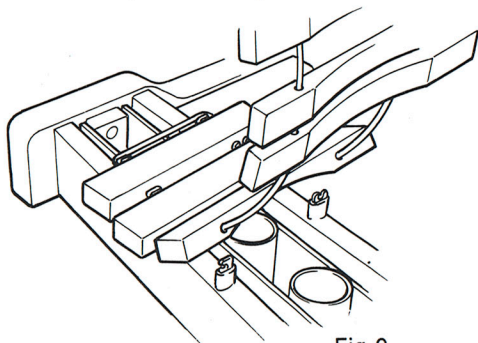


Fig 9

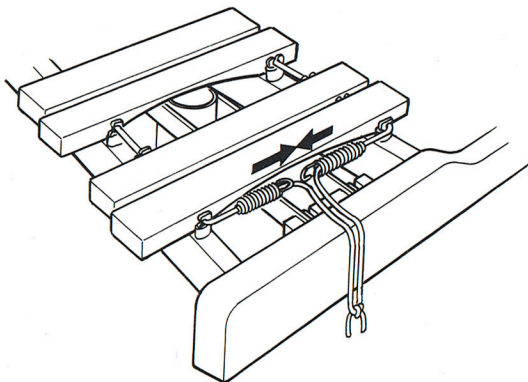
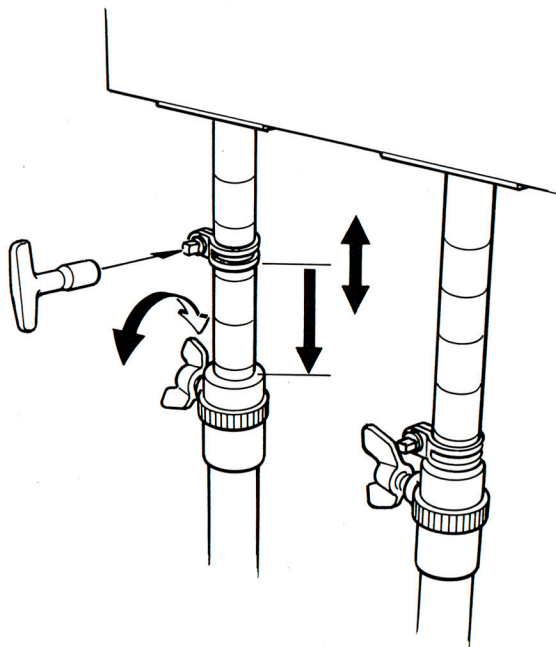


Fig 10

- 8 The tone bars are set starting with the natural tone bars. First, with another person, hold the tone-bar suspension cords on each end and place the tone bars on the frame. (Fig 9)
- 9 Place the natural tone bars on the center of the rails and set each bar in position. Thread the suspension cord through each suspension post starting at the treble end. Tighten the suspension cord and hook the spring. Then set on the accidental bars. Wipe the top and sides of the instrument with a dry cloth. Check to see that all the nuts and bolts are securely tightened. (Fig 10)

HEIGHT ADJUSTMENT



Release all 4 wing bolts on frame ends; then loosen the wing bolts on the slant supports.

① TO RAISE

With another person, lift up both ends of frame and tighten all 4 wing bolts. Markings on the legs help accurate height adjustment. Set 4 height adjustment stoppers (memory locks) under the frame legs. Tighten square bolts on 4 height adjustment stoppers securely with a drum key. This safely secures height-adjustment and prevents frame from slipping. Tighten the wing bolts on the slant supports.

② TO LOWER

Lower 4 height adjustment stoppers (memory locks) to optimum position. Markings on the legs help accurate height adjustment. Tighten square bolts on 4 height adjustment stoppers securely with a drum key. This safely secures height adjustment and prevents frame from slipping. Loosen the wing bolts on the slant supports and, holding both ends of frame with another person, lower the frame. Tighten the wing bolts on the slant supports.

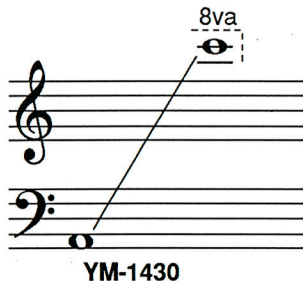
PRECAUTIONS AND CARE

- ① Do not use extra hard-head mallets or other hard materials to strike the tone bars. This could scratch or dent them.
- ② If the suspension cords are loose or unseated, resonance will be reduced. Check that the suspension cord is properly seated on each suspension post.
- ③ Avoid placing heavy objects on the tone bars as this may bend or twist the frame and loosen the suspension cords.
- ④ When transporting long distances, disassemble and pack carefully. Disassemble by reversing the assembly procedure.
- ⑤ Extremes in temperature and humidity will adversely affect the sound quality. Avoid high temperatures or humidity and do not store in direct sunlight.
- ⑥ Clean the instrument with a soft dry cloth. Do not use cloths dampened with chemical cleaning agents.

SPECIFICATIONS



Instrument	YM-1430
Scale Range	A ~ c4 4-1/3 octaves
Tone Bar Material	African padauk
Tone Bar Size (Width x Thickness)	2-9/32~1-1/2" x 15/16~7/8" 58~38 mm x 24~22.5 mm
Dimensions (Width x Depth x Height)	74" x 33-1/16" x 34-5/8~38-9/16" 188 cm x 84 cm x 88~98 cm
Weight	108 lbs 49 kg
Pitch	A = 442 Hz

SCALE RANGE



YAMAHA

YAMAHA CORPORATION
P.O.Box 1, Hamamatsu, Japan

  Printed in Japan 05.90