

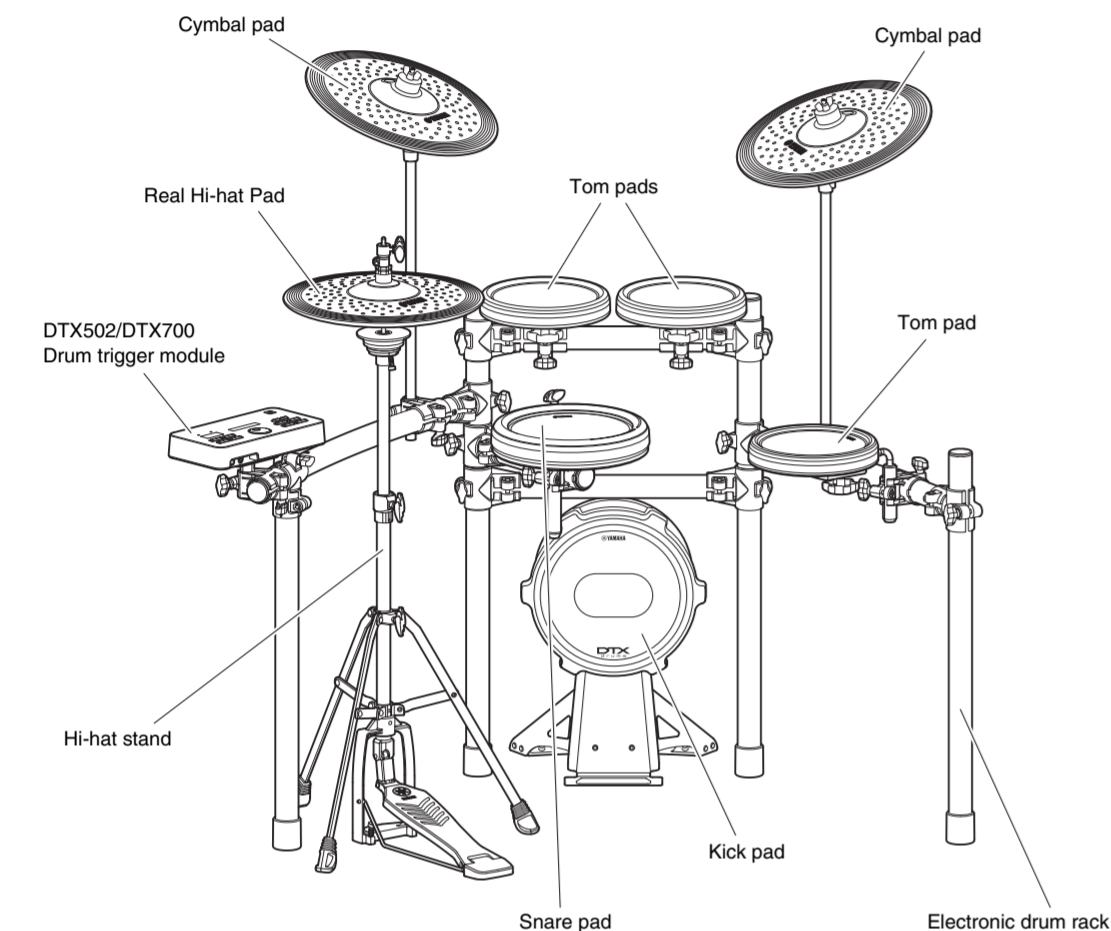


This manual describes the standard assembly procedure for the DTX582K/DTX720K electronic drum kits. It covers assembly and wiring of the kit as shown below. When you have completed all of the steps described, you will be ready to turn on the drum trigger module and start playing. Illustrations show the DTX502 drum trigger module.

IMPORTANT

This manual describes the process of assembling a drum-pad set and drum trigger module to an already assembled RS502 Electronic Drum Rack. Before starting the steps below, therefore, be sure to assemble your RS502 as described in the Owner's Manual that came with it.

Example of standard assembly

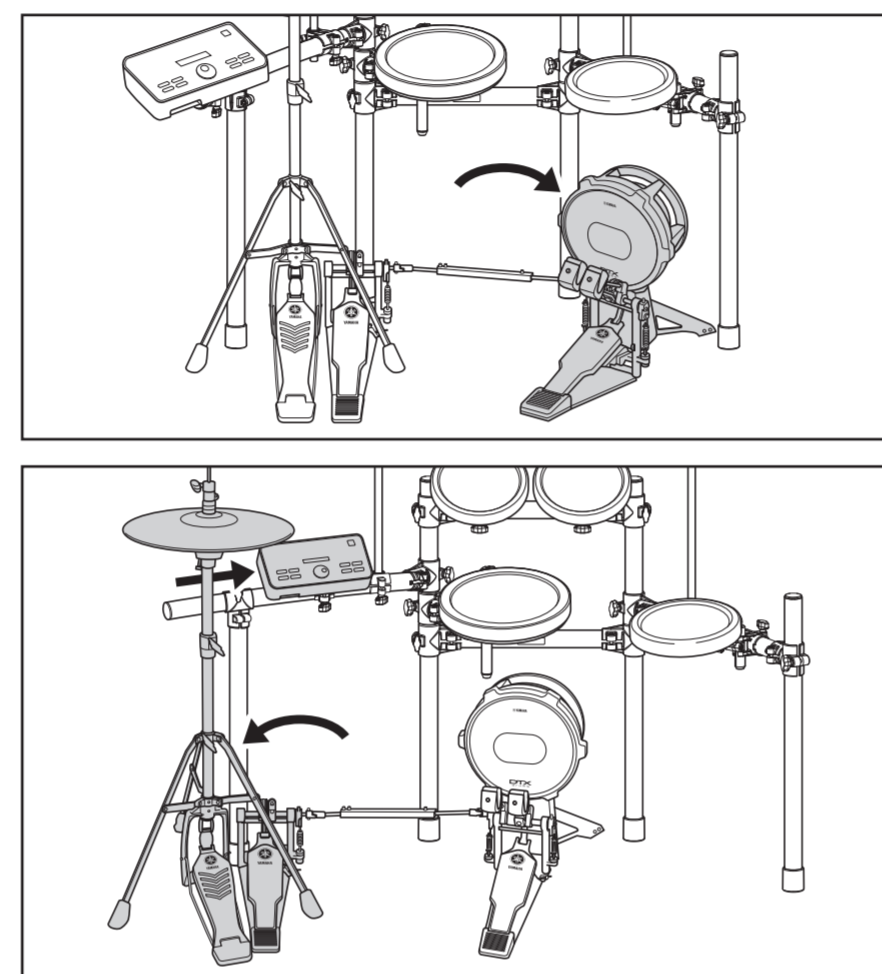


NOTICE

Before starting assembly, lay a drum mat (sold separately) on the floor. Alternatively, you can place cardboard from the drum kit packaging or the like on the floor to prevent it from being scratched. This is particularly important when using the HS650A Hi-hat Stand and KP100 Kick Pad.

NOTE

If using double foot pedals and want to position them relatively far apart from one another, please setup as shown below.



1 Open the boxes to reveal their contents.

After opening up the packages containing your electronic drum kit, please verify that all of the following components are present.

Components of DTX582K/DTX720K

- ❑ XP80 Snare Pad (x1)
- ❑ PCY135 Cymbal Pad (x2)
- ❑ RHH135 Real Hi-Hat Pad (x1)
- ❑ Stand base for RHH135 (x1)
- ❑ Hi-hat clutch for RHH135 (x1)
- ❑ RS502 Electronic Drum Rack (x1)
- ❑ RS502 Owner's Manual (x1)
- ❑ HS650A Hi-hat Stand (x1)
- ❑ KP100 Kick Pad (x1)
- ❑ Stopper for PCY135 (x2)
- ❑ Felt pad for PCY135 (x2)
- ❑ Cable band (x6)
- ❑ Cable band for RHH135 (x1)
- ❑ Nine-channel snake cable (x1)
- ❑ Tuning key (x1)
- ❑ XP70 Tom Pad (x3)
- ❑ Clamp bolt (for XP70 or XP80; x4)
- ❑ DTX582K/DTX720K Assembly Manual (this booklet; x1)
- ❑ PCY100/135/155 Owner's Manual (x1)
- ❑ RHH135 Owner's Manual (x1)
- ❑ XP70/80 Owner's Manual (x1)
- ❑ KP100 Owner's Manual (x1)
- ❑ DTX502/DTX700 Drum Trigger Module (x1)
- ❑ Module holder (x1)
- ❑ Power adaptor (x1)
- ❑ Module holder screw (x2 for DTX502 / x4 for DTX700)
- ❑ DTX502/DTX700 Owner's Manual (x1)

2 Assemble the RS502 Electronic Drum Rack.

For instructions on how to assemble the RS502 Electronic Drum Rack, refer to the Owner's Manual that came with it.

3 Assemble the pads and the drum trigger module to the electronic drum rack.

Safety Precautions Please read carefully before proceeding.

The purpose of the precautions detailed below is to ensure that this electronic drum kit can be used safely without fear of injury or property damage. As a means of indicating the severity and immediacy of any risk of injury or property damage resulting from incorrect operation, these precautions are classified as either WARNING or CAUTION. The instructions displayed together with these precautions are extremely important in terms of ensuring safety, and therefore, they should be fully observed.

- * After reading this Assembly Manual, ensure that it is kept in a safe, convenient location for future reference.
- * Be sure to also read the Assembly Manuals and/or Owner's Manuals that came with your pads and rack.

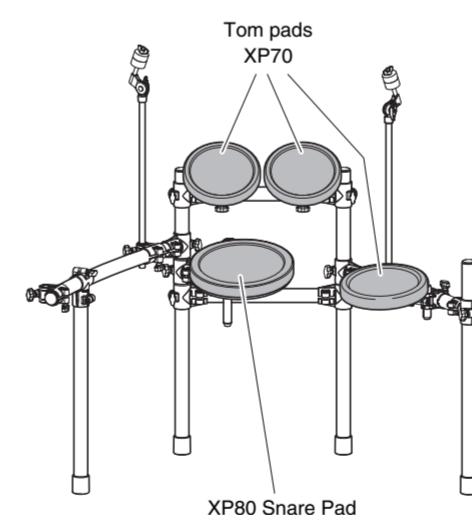
WARNING	Failure to observe the precautions described below can result in serious injury or even death.
• Young children using this electronic drum kit should be supervised by a guardian to eliminate any possibility of injury.	
• Holders for cymbal and tom pads have sharp tips. In order to avoid injury, therefore, you should take special care whenever handling these components.	
• The anti-slip stoppers on kick pads and foot pedals have sharp tips. In order to avoid injury, therefore, you should take special care whenever handling these components.	
• Be sure to securely tighten nuts and other fasteners when setting up this electronic drum kit. In addition, be sure to proceed slowly when loosening nuts. If this precaution is not observed, pads may fall off or the rack may collapse or fall over, possibly causing injury.	
• Do not setup this electronic drum kit on a slope, on an unstable platform, or on any other unsafe surface. If this precaution is not observed, it may topple over or fall, possibly causing injury.	
• Whenever setting up this electronic drum kit, ensure that cables and the like are arranged safely. If someone were to trip on a cable, the kit could topple over and cause injury.	
• Under no circumstances should this electronic drum kit be disassembled or customized. Failure to observe this precaution can result in injury or malfunction.	
• Do not sit or stand on the rack. Doing so could cause it to fall over or break, possibly causing injury.	

CAUTION	Failure to observe the precautions described below can result in injury and/or property damage.
• Mind your fingers when adjusting clamps. They can easily be crushed if care is not taken during this operation.	
• Be careful with the tips of supports, arms, screws, and the like. Fingers can easily be injured by sharp tips if these components are not handled carefully.	
• Do not place hands or feet under a kick pad or foot pedal. Doing so could result in injury.	
• Do not use the electronic drum kit's rack to hold acoustic drums. Doing so could cause clamps to break and the drums to fall off, which in turn could lead to injury.	

NOTICE: Usage Precautions

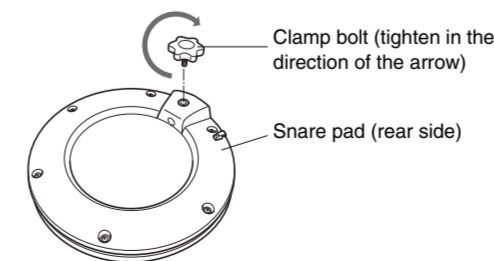
- When connecting and disconnecting cables, be sure to hold the plug and not the cable itself. In addition, avoid placing heavy items on top of cables and do not allow them to touch sharp edges. Failure to avoid these precautions can lead to cable breakage and disconnection.
- Do not climb onto the electronic drum kit and avoid placing heavy objects on it. Failure to observe this precaution can result in malfunction.
- Avoid using or storing the electronic drum kit in very hot locations (i.e., in direct sunlight, in close proximity to a heater, or in a closed vehicle) or in highly humid locations (i.e., in a bathroom or outdoors in wet weather). Failure to observe this precaution can lead to warping, discoloration, malfunction, or breakdown.
- Avoid cleaning the electronic drum kit with organic solvents, paint thinner, or alcohol as these substances can cause warping and discoloration. Instead, we recommend you remove dust using a soft dry cloth or wipe clean using a moist, tightly-wrung cloth. If the electronic drum kit is very dirty, first wipe the dirt away using a cloth moistened with a neutral detergent solution and tightly wrung. Following this, wipe away the detergent solution using a cloth soaked in water and tightly wrung.

Assembling the snare and tom pads

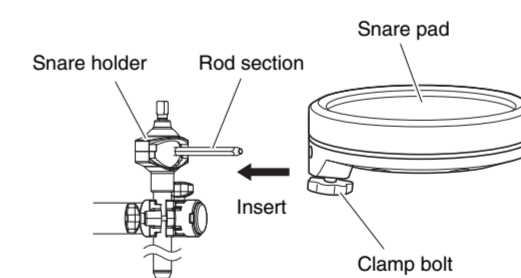


■ Snare pad

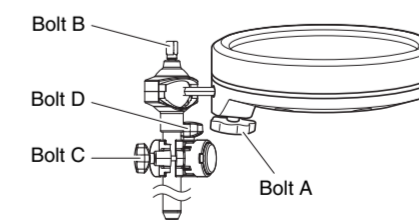
1. Attach a clamp bolt to the snare pad and provisionally tighten (by five or six turns).



2. Push the snare pad onto the rack's snare holder. Ensure that the rod section is fully inserted into the snare pad's mounting hole, and then tighten the clamp bolt to secure the pad in place.

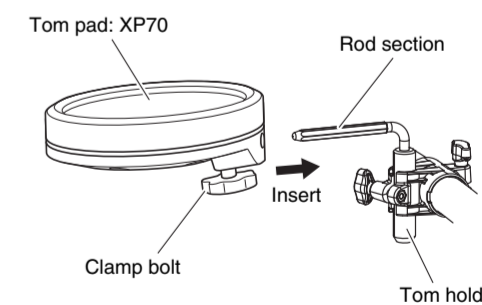


3. Loosen bolts A to D as shown below to adjust the height and angle of the snare pad. When correctly positioned, be sure to securely retighten the bolts before proceeding to the next step.

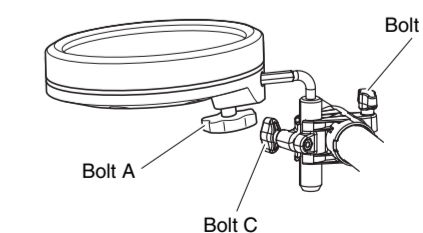


■ Tom pads

1. As with the snare pad, attach a clamp bolt to each of the three tom pads and provisionally tighten (by five or six turns).
2. Push each of the tom pads onto one of the rack's tom holders. Each time, ensure that the tom holder's rod is fully inserted into the tom pad's mounting hole, and then tighten the bolt to secure the pad in place.

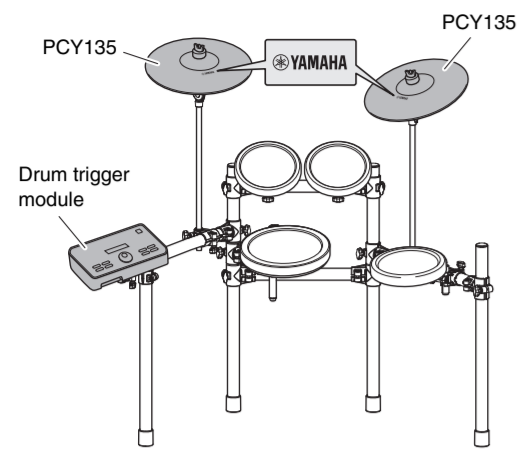


3. Loosen bolts A to C as shown below to adjust the height and angle of each tom pad. When correctly positioned, be sure to securely retighten the bolts before proceeding to the next step.



* Specifications and descriptions in this owner's manual are for information purposes only. Yamaha Corp. reserves the right to change or modify products or specifications at any time without prior notice. Since specifications, equipment or options may not be the same in every locale, please check with your Yamaha dealer.

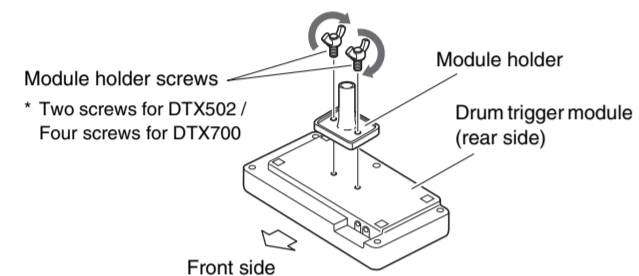
Assembling the drum trigger module and cymbal pads



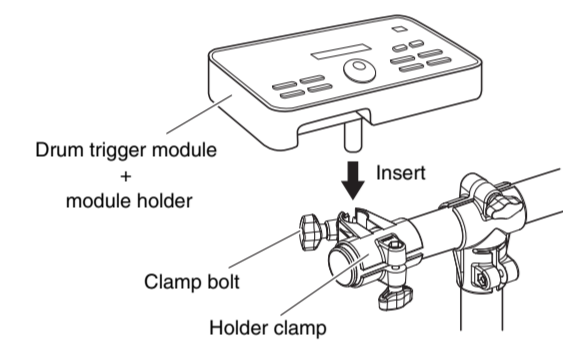
A cymbal pad's built-in sensor is located close to the Yamaha logo found on the top surface. In order to achieve the best performance from your pad, position it such that the area around the logo can be easily struck. (See the figure above.)

Drum trigger module

1. Secure the module holder to the bottom of the drum trigger module using the module holder screws.

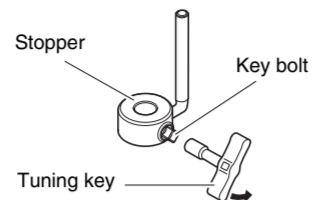


2. Push the module holder into the holder clamp and tighten the clamp bolt to secure it in place.

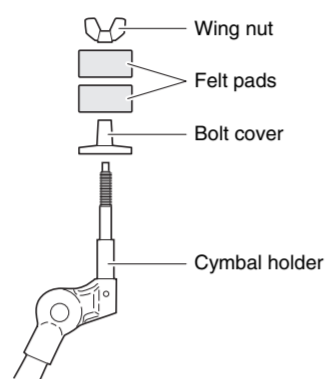


Cymbal pads

1. Using the tuning key, loosen the stopper's key bolt.



2. Remove the wing nut, the two felt pads, and the bolt cover from the cymbal holder.

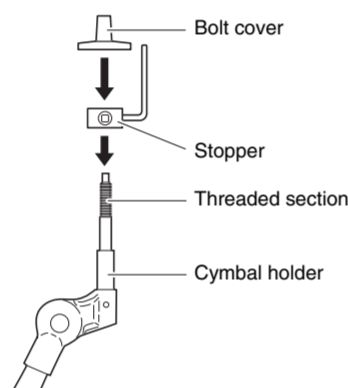


3. Place the stopper on the cymbal holder.

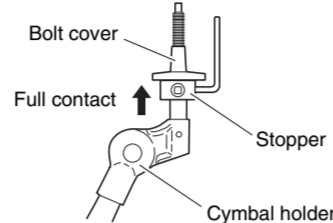
* If the key bolt was not sufficiently loosened in Step 1 above, it may not be possible to pass the stopper over the cymbal holder's shaft. In such a case, loosen the key bolt as much as possible without removing it.

4. Replace the bolt cover.

* Turn the bolt cover to tighten it onto the threaded section and firmly secure it in place.



5. With the stopper making full contact with the bottom surface of the bolt cover as shown below, tighten the stopper's key bolt using the tuning key.



6. Place one of the felt pads removed in Step 2 on the cymbal holder.

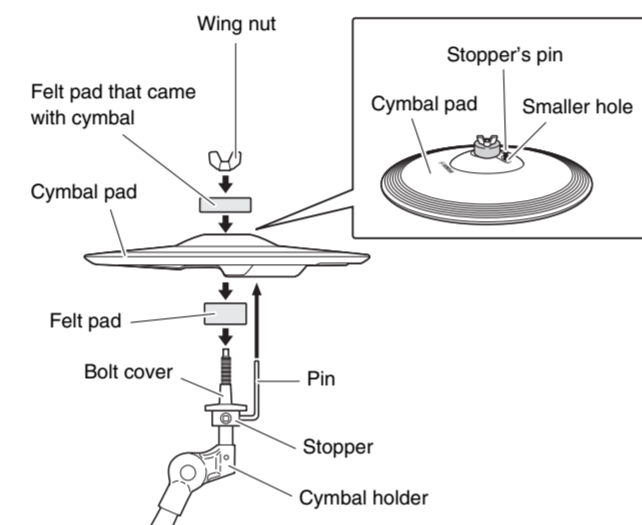
7. Mount the pad on the cymbal stand. Lower the pad into place with the cymbal holder's shaft passing through the central hole. When mounted, the stopper's pin should rest inside the pad's smaller hole.

* If you were to play your cymbal pad without the stopper's pin positioned well inside the smaller hole, the pad could rotate, causing the pin to be pulled out. It is very important, therefore, to ensure that the stopper is secured as shown in Step 5 above.

8. Assemble the felt pad that came with the cymbal pad.

* The second felt pad removed from the cymbal holder in Step 2 above is not required for assembly.

9. Tighten the wing nut to secure the pad to the cymbal holder.



4

Arrange the hi-hat stand and the kick pad as shown in *Example of standard assembly* on the other side of this sheet.

NOTICE

- Lay a drum mat (sold separately) on the floor underneath the hi-hat stand and the kick pad. Alternatively, you can place cardboard from the drum kit packaging or the like on the floor to prevent it from being scratched.
- Ensure that you do not lower the electronic drum rack's center strut too much as doing so may cause it to come into contact with the kick pad.

5

Connect the pads to the drum trigger module.

As described below, connect the output of each pad to the corresponding trigger input jack on the drum trigger module.

1. Plug the straight ends of the nine-channel snake cable into the trigger input jacks on the back of the drum trigger module.
- When using the standard setup, the stickers on each of the snake cable's plugs will indicate the name of the corresponding pad.

2. Plug the L-shaped ends of the nine-channel snake cable into the corresponding pads.

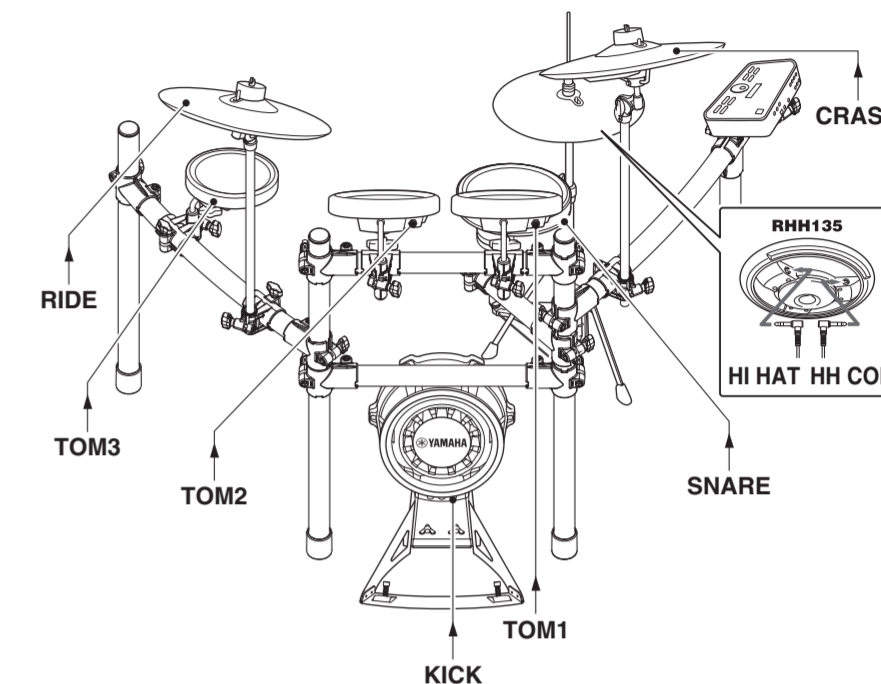
Pads	DTX502 jack names	DTX700 jack names
SNARE	① SNARE	① SNARE
TOM1	② TOM1/⑩	② TOM1
TOM2	③ TOM2/⑪	③ TOM2
TOM3	④ TOM3/⑫	④ TOM3
RIDE	⑤ RIDE	⑤ RIDE
CRASH	⑥ CRASH	⑥ CRASH1
KICK	⑦ KICK/⑧	⑦ KICK/⑩
HI HAT	⑨ HI HAT	⑨ HI HAT
HH CON	HI-HAT CONTROL	HI-HAT CONTROL

3. In the case of snare and tom pads, wrap the cables around the cable clips to prevent them from being pulled out.

NOTICE

Excessive bending can damage pad cables. Ensure, therefore, that these cables are not bent at an extreme angle when wrapped around the clips.

Locations of pad jacks

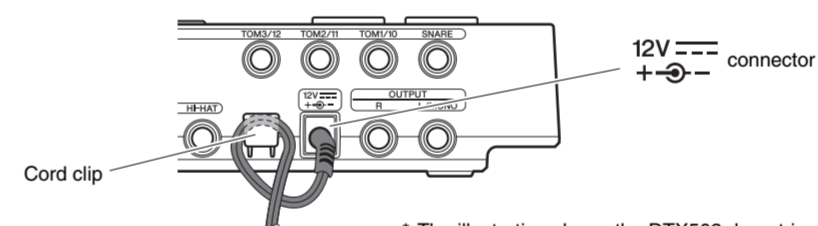


6

Connect the drum trigger module to a power supply.

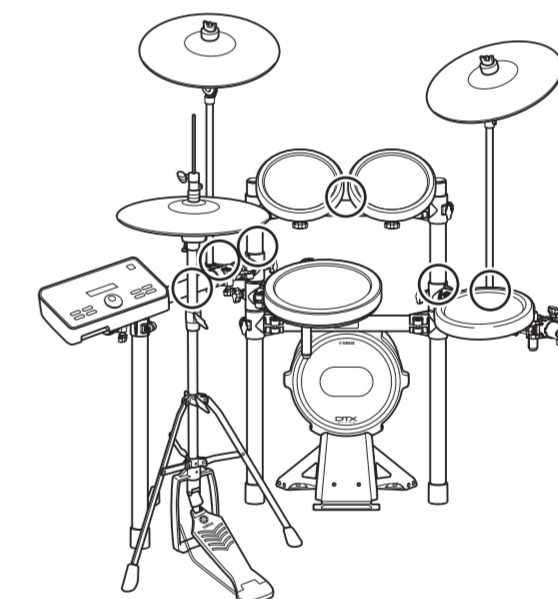
1. Plug the power adaptor's DC cord into the 12V connector. Hook the power adaptor's DC cord around the cord clip to secure it in place.

Drum trigger module's rear panel



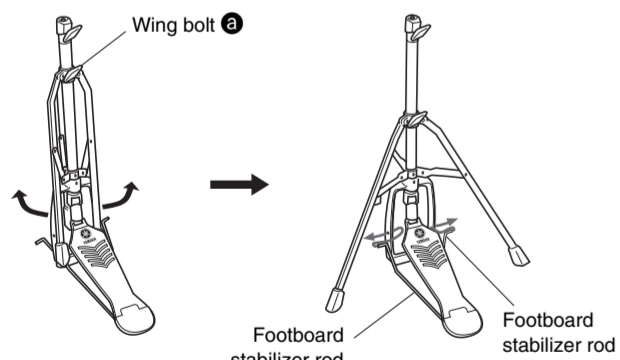
* The illustration shows the DTX502 drum trigger module.

2. Using the cable bands, secure the cables to the electronic drum rack at the positions circled in the figure on the right. (○)
3. Plug the adaptor's AC cord into a domestic wall socket.



Assembling the hi-hat stand

1. If a drum mat (sold separately) is not available, lay a sheet of cardboard on the floor to protect it from being scratched.
- Loosen the hi-hat stand's wing bolt ①.
- Open up the three legs as shown below and then retighten the wing bolt ① to lock them in place.
- Insert the footboard stabilizer rods into the frame holes as shown below.



5. As shown on the right, loosen the hi-hat clutch's wing bolt ② and remove the hi-hat clutch.

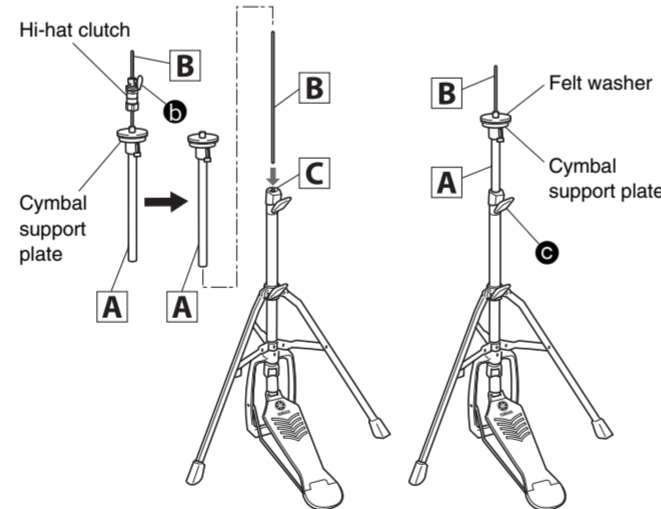
* The hi-hat clutch is not required when assembling the electronic drum kit in the standard fashion described in this manual. Instead, the hi-hat clutch that came with the RHH135 Real Hi-Hat Pad will be used.

6. Remove the hi-hat shaft B from the upper tube A.

7. Insert the hi-hat shaft B from Step 6 as far as it will go into the lower tube C and screw in the tip.

8. Insert the upper tube A over the hi-hat shaft B and tighten the wing bolt ② to secure it in place with the cymbal support plate approximately half way between the top of the lower tube C and the top of the hi-hat shaft B.

9. Remove the felt pad attached above the cymbal support plate. It is not required when assembling the electronic drum kit in the standard fashion described in this manual.

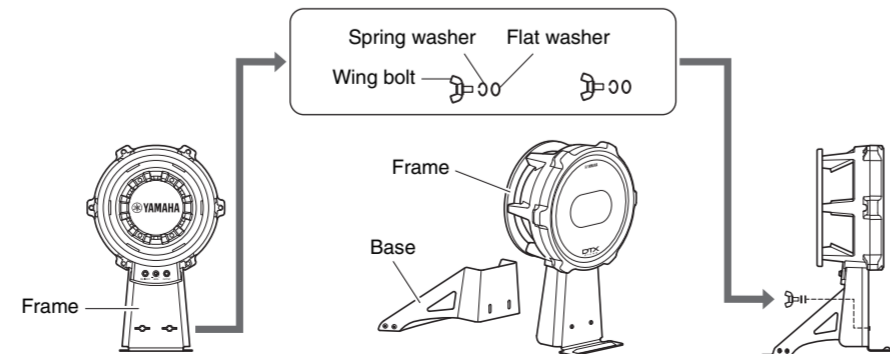


10. Assemble the RHH135 Real Hi-Hat Pad.

* For detailed instructions, refer to the Setting Up section in the RHH135 Owner's Manual.

Assembling the kick pad

1. If a drum mat (sold separately) is not available, lay a sheet of cardboard on the floor to protect it from being scratched.
- Remove the two wing bolts, spring washers, and flat washers from the kick pad frame, and line up each set nearby in the order of removal.
- Join the base section to the frame as shown on the right, and then secure it in place by assembling the wing bolts, spring washers, and flat washers removed in the previous step from the base side.



Your electronic drum kit is now ready.

* For instructions on turning on the drum trigger module, producing sounds, and other subsequent steps, please refer to the Owner's Manual that came with the module.