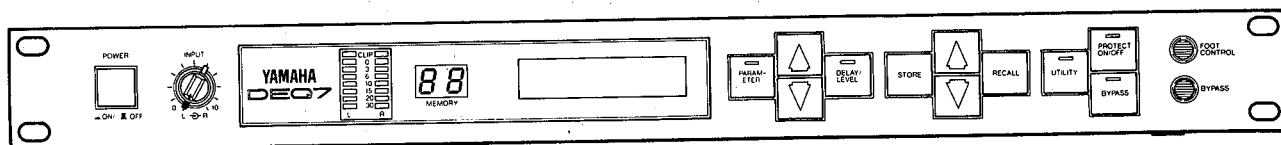


YAMAHA

Digital Equalizer Egaliseur numérique Digital-Equalizer



Operating Manual
Manuel d'utilisation
Bedienungsanleitung



CONGRATULATIONS!

Your DEQ7 Digital Equalizer uses the most advanced Yamaha digital signal processing technology to provide extremely precise, stable equalization in a wide variety of formats. There is a selection of "graphic" EQ types, parametric EQ, tone control, band pass and band rejection filters, and a range of unique dynamic EQ programs. Any of the 30 preset EQ programs can be edited and stored in any of 60 RAM memory locations for instant recall and use whenever needed. And, being fully digital, the DEQ7 delivers impeccably clean, precise sound. The enormous versatility of the DEQ7 makes it ideal for an extremely broad range of professional applications in the fields of recording, audiovisual production, broadcasting and sound reinforcement. We urge you to read this operation manually thoroughly before using the DEQ7, in order to fully take advantage of all the DEQ7's advanced features and capabilities.

CONTENTS

PRECAUTIONS	1	8. GEQ 1/2 oct L/R	67
CONTROLS & CONNECTIONS	2	9. GEQ 1/3 oct Lch	68
GENERAL OPERATION	4	10. GEQ 1/3 oct Rch	69
MEMORY CONFIGURATION	4	11. GEQ 1/3 oct Lch N	70
SELECTING AN EQ PROGRAM	4	12. GEQ 1/3 oct Rch N	71
EDITING PARAMETERS	5	13. PEQ (4 + 4) L=R	72
STORING AN EDITED PROGRAM IN		14. PEQ (4 + 4) L/R	73
THE USER MEMORY	6	15. PEQ + SHELV. L/R N	74
EQ BYPASS	7	16. TONE CONTROL L=R	75
PROTECT	7	17. TONE CONTROL L/R	76
UTILITY FUNCTIONS	8	18. BAND PASS L=R	77
TITLE EDIT	8	19. BAND PASS L/R	78
MIDI BANK & CHANNEL ASSIGNMENT	9	20. BAND PASS L/R N	79
MIDI BULK DUMP (BANK & MEMORY)	11	21. BAND REJECT L=R	80
DELAY DISPLAY	12	22. BAND REJECT L/R	81
CONVERT L=R → L/R	12	23. 4 - PEQ, 6 - NOTCH	82
INPUT ATTENUATER ADJUSTMENT	13	24. 6 - NOTCH L/R	83
MIDI DATA FORMAT	14	25. DYN. PEQ FC	84
SPECIFICATIONS	18	26. DYN. PEQ LEVEL	85
DESCRIPTIONS OF THE PROGRAMS	59	27. DYN. PEQ LFO	86
1. GEQ 1/1 oct L=R	60	28. DYN. FILTER FC	87
2. GEQ 1/1 oct L/R	61	29. DYN. FILTER LEVEL	88
3. GEQ 1/1 oct L/R N	62	30. DYN. FILTER LFO	89
4. GEQ 2/3 oct L=R	63	MIDI IMPLEMENTATION CHART	90
5. GEQ 2/3 oct L/R	64	BLOCK DIAGRAM	91
6. GEQ 2/3 oct L/R N	65	DIMENSIONS	91
7. GEQ 1/2 oct L=R	66	BLANK CHART	92

PRECAUTIONS

1. AVOID EXCESSIVE HEAT, HUMIDITY, DUST AND VIBRATION

Keep the unit away from locations where it is likely to be exposed to high temperatures or humidity — such as near radiators, stoves, etc. Also avoid locations which are subject to excessive dust accumulation or vibration which could cause mechanical damage.

2. AVOID PHYSICAL SHOCKS

Strong physical shocks to the unit can cause damage. Handle it with care.

3. DO NOT OPEN THE UNIT OR ATTEMPT REPAIRS OR MODIFICATIONS YOURSELF

This product contains no user-serviceable parts. Refer all maintenance to qualified Yamaha service personnel. Opening the unit and/or tampering with the internal circuitry will void the warranty.

4. MAKE SURE POWER IS OFF BEFORE MAKING OR REMOVING CONNECTIONS

Always turn the power OFF prior to connecting or disconnecting cables. This is important to prevent damage to the unit itself as well as other connected equipment.

5. HANDLE CABLES CAREFULLY

Always plug and unplug cables — including the AC cord — by gripping the connector, not the cord.

6. CLEAN WITH A SOFT DRY CLOTH

Never use solvents such as benzine or thinner to clean the unit. Wipe clean with a soft, dry cloth.

7. ALWAYS USE THE CORRECT POWER SOURCE

Make sure that the power source voltage specified on the rear panel matches your local AC mains source.

U.S. and Canadian Models: 120V AC, 60 Hz

General Model: 220 — 240V AC, 50/60 Hz

8. ELECTRICAL INTERFERENCE

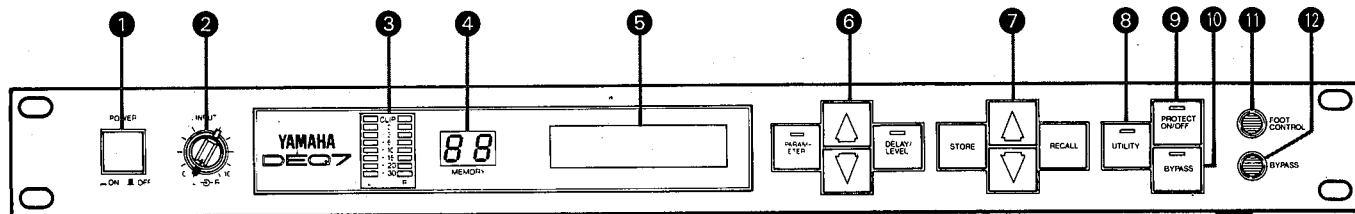
Since the DEQ7 contains digital circuitry, it may cause interference and noise if placed too close to TV sets, radios or similar equipment. If such a problem does occur, move the DEQ7 further away from the affected equipment.

9. BACKUP BATTERY

The DEQ7 contains a long-life lithium battery which maintains the contents of the buffer and user memory locations even when the unit is turned OFF. With normal use the battery should last for approximately 5 years. If the battery voltage falls below the safe level, however, the “***WARNING*** LOW BATTERY” display will appear on the LCD when the power is first turned ON. If this occurs, have the battery replaced by a qualified Yamaha service center. Do not attempt to replace the battery yourself.

CONTROLS & CONNECTIONS

Front Panel



① POWER Switch

② L/R INPUT Level Control

This dual concentric control permits independent adjustment of left and right channel input levels. The inner and outer controls are friction-coupled so that once the left/right input level balance has been set, the overall input level can be varied simply by rotating the central control.

③ Level Meters & CLIP Indicators

Independent 8-segment LED level meters are provided for the left and right channels. The meter display range is from -30 to 0 dB. The clip indicator lights at levels greater than +18 dBm when the level control is set at "7" and the input level switch is set to +4 dB.

④ LED Memory Number Display

This 2-digit numeric display shows the number of the currently selected memory location (1 — 90). When the LED display is continuously lit, the effect corresponding to the number displayed is active. When the LED display is flashing, this indicates that a new memory location has been selected but has not yet been recalled, leaving the previously selected effect active.

⑤ LCD Panel

The LCD (Liquid Crystal Display) panel is the DEQ7's main parameter and data display. It displays 2 lines of 16 characters, and is backlit for easy reading under any lighting conditions.

⑥ Parameter Editing Keys

The leftmost group of four keys on the DEQ7 front panel (PARAMETER, UP-ARROW, DOWN-ARROW and DELAY/LEVEL) are used to select and modify parameters within the currently selected program. The PARAMETER and DELAY/LEVEL keys are used to select the parameter to be edited, and the arrow keys are used to change the value of the selected parameter. Pressing the PARAMETER and UP-ARROW or DOWN-ARROW keys together causes continuous parameter incrementing or decrementing.

⑦ Program Selection & Storage Keys

The central group of four keys (STORE, UP-ARROW, DOWN-ARROW, RECALL) is used to select and recall any of the preset ROM programs (numbers 1 through 30) or user-edited programs in the RAM area (numbers 31 through 90). The STORE key allows edited programs to be stored in any RAM memory location (31 through 90).

⑧ UTILITY Key

The UTILITY key accesses a number of utility functions including program title editing, MIDI bank and channel control, MIDI program change to memory number assignment, MIDI bulk dump control and seconds or feet display selection.

⑨ PROTECT ON/OFF Key

The PROTECT ON/OFF key is used to "lock" the DEQ7 settings so that they can be inadvertently changed. To set the PROTECT ON mode, hold down the PROTECT key and press the parameter up-arrow key. To disengage the PROTECT mode hold the PROTECT key and press the parameter down-arrow key. PROTECT cannot be turned ON while the MEMORY display is flashing.

⑩ BYPASS Key

When the BYPASS key is pressed and its LED indicator lights, the selected EQ program is completely bypassed and the direct, unequalized signal is fed to the unit's output connectors. Press the BYPASS key a second time (the LED indicator will go out) to restore normal EQ operation.

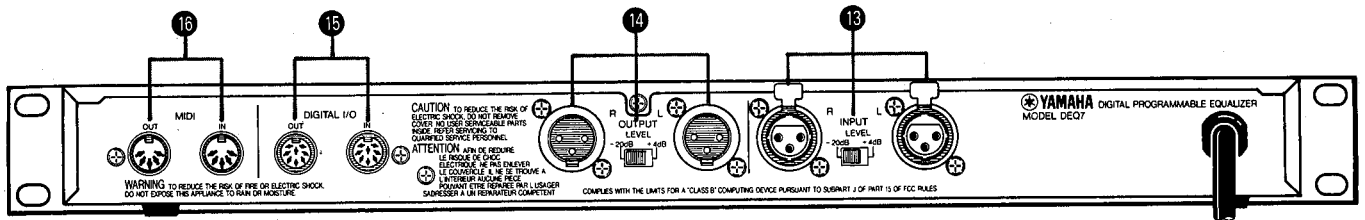
⑪ FOOT CONTROL Jack

An optional foot controller (Yamaha FC7) can be connected here to allow foot control of the dynamic EQ program filter parameters.

⑫ BYPASS Jack

An optional footswitch (Yamaha FC4 or FC5) connected here performs the same function as the BYPASS key ⑩.

Rear Panel



13 L/R INPUT Connectors & LEVEL Selector

The left and right channel inputs to the DEQ7 are female XLR type connectors for compatibility with professional equipment and maximum connection reliability. The input circuitry is electronically balanced and presents a load impedance of 10,000 ohms.

The LEVEL switch permits selection of -20 dB or +4 dB nominal input level.

14 L/R OUTPUT Connectors and LEVEL Selector

The DEQ7's left and right channel output connectors are male XLR types delivering a balanced signal.

The LEVEL switch selects -20 dB or +4 dB nominal output level.

15 DIGITAL I/O IN & OUT Connectors

These Yamaha-format digital IN and OUT connectors permit direct digital connection to compatible Yamaha equipment — such as the DMP7 Digital Mixing Processor. When using the digital input, use the UTILITY mode "INPUT ATTENUATOR" function to set the appropriate input level.

16 MIDI IN & OUT Connectors

MIDI signals from external MIDI devices can be fed to the MIDI IN connector to remotely select EQ programs and trigger the dynamic EQ programs. The MIDI OUT connector is provided so that the internal RAM memory contents may be dumped to a MIDI data recorder for large-volume, long-term storage. Program data thus stored can be re-loaded later via the MIDI IN connector.

GENERAL OPERATION

MEMORY CONFIGURATION

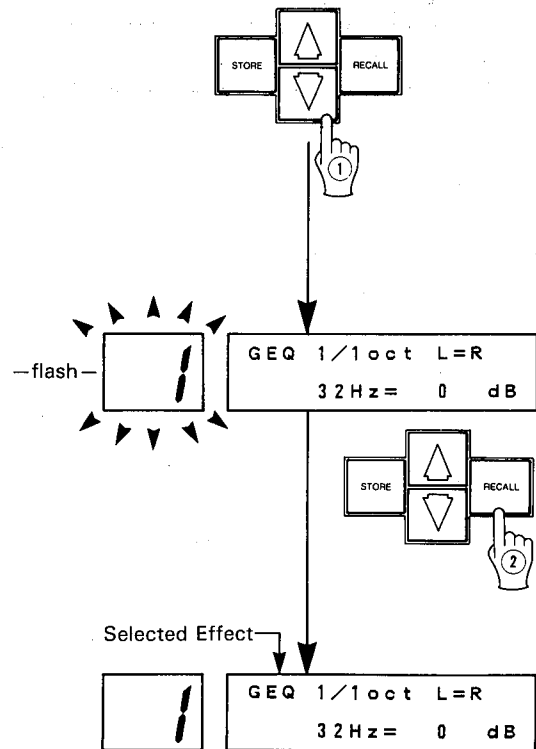
The DEQ7 has a total of 90 internal memory locations. Locations 1 through 30 are READ-ONLY MEMORY containing the 30 preset EQ programs. These locations cannot be written to or changed in any way. The EQ programs contained in memory locations 1 through 30 are:

Mem. No.	Program Name	Mem. No.	Program Name
1.	GEQ 1/1 oct L=R	16.	TONE CONTROL L=R
2.	GEQ 1/1 oct L/R	17.	TONE CONTROL L/R
3.	GEQ 1/1 oct L/R N	18.	BAND PASS L=R
4.	GEQ 2/3 oct L=R	19.	BAND PASS L/R
5.	GEQ 2/3 oct L/R	20.	BAND PASS L/R N
6.	GEQ 2/3 oct L/R N	21.	BAND REJECT L=R
7.	GEQ 1/2 oct L=R	22.	BAND REJECT L/R
8.	GEQ 1/2 oct L/R	23.	4-PEQ, 6-NOTCH
9.	GEQ 1/3 oct Lch	24.	6-NOTCH L/R
10.	GEQ 1/3 oct Rch	25.	DYN. PEQ FC
11.	GEQ 1/3 oct Lch N	26.	DYN. PEQ LEVEL
12.	GEQ 1/3 oct Rch N	27.	DYN. PEQ LFO
13.	PEQ (4+4) L=R	28.	DYN. FILTER FC
14.	PEQ (4+4) L/R	29.	DYN. FILTER LEVEL
15.	PEQ + SHELV. L/R N	30.	DYN. FILTER LFO

A complete description of each effect program and its parameters is given in "DESCRIPTIONS OF THE PROGRAMS" on page 59. Locations 31 through 90 are READ/WRITE MEMORY which can be used to store your own edited versions of the preset programs.

SELECTING AN EQ PROGRAM

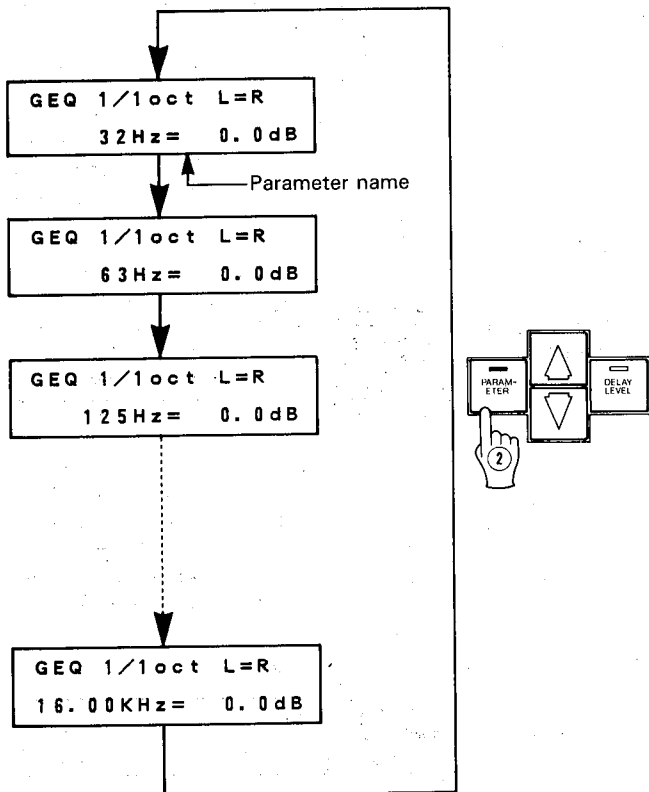
- Press the program selection Δ or ∇ key to increment or decrement the memory location number shown on the LED display. Hold either of these keys down for continuous incrementing or decrementing. The name of the program corresponding to the currently selected memory location will be shown on the LCD, or "**** NO DATA ****" will be displayed if a memory location between 31 and 90 is selected into which an edited EQ program has not been stored. Note that at this stage the LED memory number display is flashing, indicating that although a new location has been selected, its contents have not yet been recalled.
- When the desired EQ program has been selected, press the RECALL key. The LED memory number display will stop flashing and the selected program will be engaged.



EDITING PARAMETERS

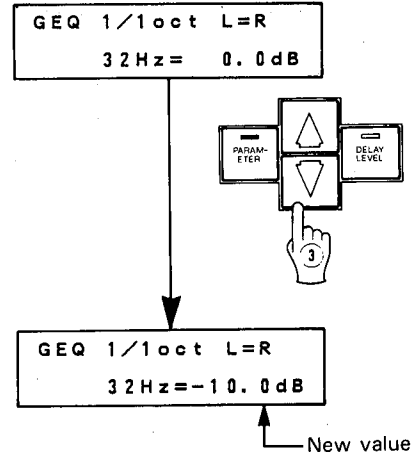
Each of the DEQ7 EQ programs has a number of internal parameters which may be edited to create the required equalization or effect. A complete description of each effect and its parameters is given in "DESCRIPTIONS OF THE PROGRAMS" on page 59. The PARAMETER key is used to access the parameters which are unique to each program, and the DELAY/LEVEL key is used to access the delay and level parameters which are the same for each program. Using program 1 (GEQ 1/1 oct L=R) as an example, here's how to access and edit parameters:

- ① Select and recall the effect to be edited.
- ② The first of the selected effect's parameters will appear on the bottom line of the LCD when the program is recalled. Each time the PARAMETER key is pressed, the next parameter on the selected effect's "parameter list" will be called. With "GEQ 1/1 oct L=R," for example, the following parameters are called in sequence:

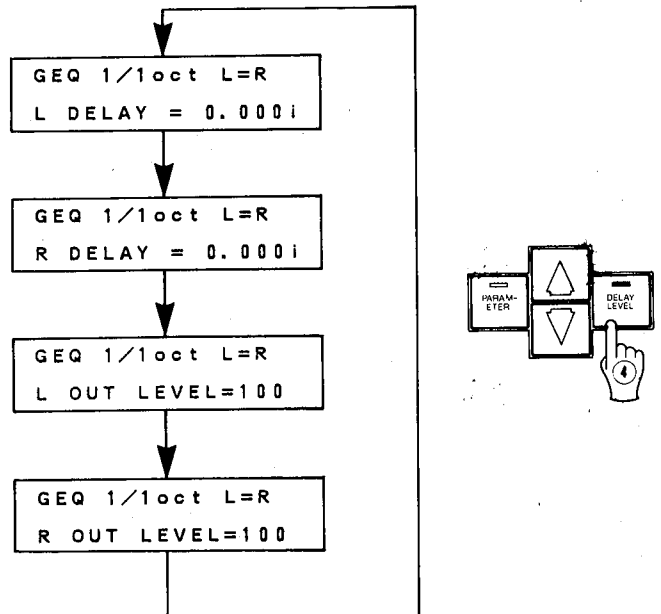


Note that the first parameter in the list is returned to if the PARAMETER key is pressed after the last parameter (16.00 kHz in this example) has been called.

- ③ Once the desired parameter has been called, its value is edited by using the Δ and/or ∇ keys. The Δ key increases (increments) the value while the ∇ key decreases (decrements) the value. Either key can be held down for continuous incrementing or decrementing. In the case of program number 1 (GEQ 1/1 oct L=R), the value for each parameter is a boost/cut setting between -18 dB and +18 dB.



- ④ If necessary, use the DELAY/LEVEL key to call the delay and level parameters. The delay and level parameter values are edited using the Δ and ∇ keys in the same way as the parameters described above. The following parameters are called in sequence each time the DELAY/LEVEL key is pressed:



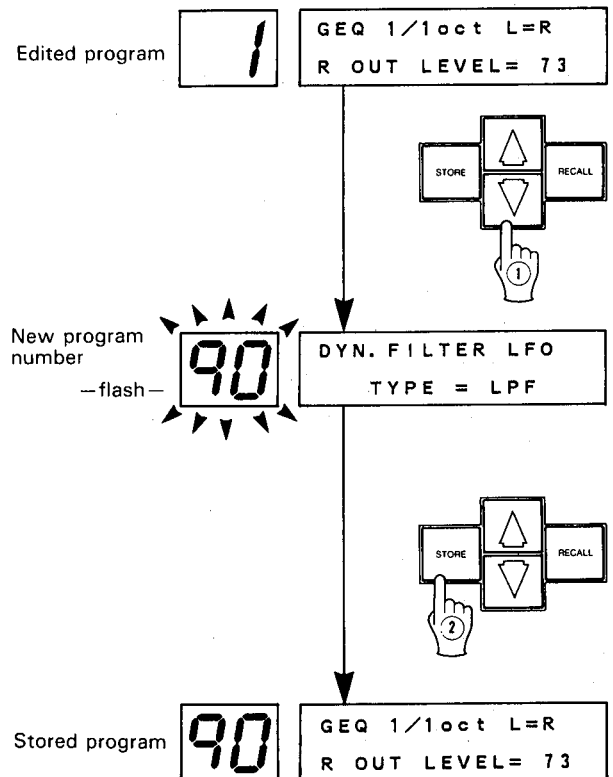
In this way you can go through and edit any number of the parameters to create the required equalization. If, however, you select and recall a new effect without first storing your edited parameters in a memory location between 31 and 90, any changes you have made will be lost and will have to be re-programmed. If you want to keep an edited effect, use the STORE operation described below.

* It is possible to continuously increment or decrement the parameters by simultaneously pressing the PARAMETER and Δ or ∇ keys.

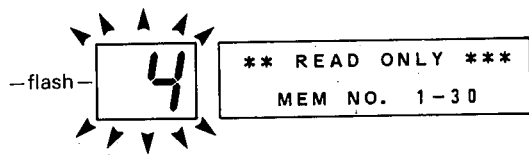
STORING AN EDITED PROGRAM IN THE USER MEMORY

In order to store an edited program for later recall you need to do the following:

- ① After editing the program, select a memory location between 31 and 90 using the program select Δ and ∇ keys. Do not recall the selected memory location. If no data has been previously stored in the selected memory location the LCD will read "**** NO DATA ****." If an edited program has previously been stored in the selected memory location, its title will be displayed on the LCD.
- ② Press the STORE key to store the edited program in the selected memory location. The title of the program stored will appear on the LCD (this may later be edited to create your own title using the UTILITY mode EDIT TITLE function). The LED memory number display will stop flashing the stored memory location will become the active program.



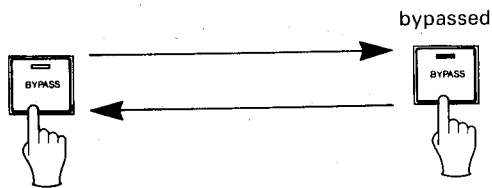
NOTE: You CANNOT store edited data to memory locations 1 through 30. If you attempt to do this the LCD will show "*** READ ONLY *** MEM NO. 1-30".



NOTE: Once a program has been stored in a memory location between 31 and 90, its parameters can be further edited in the new memory location. Such changes will be lost if a different effect is selected and recalled, however, unless the STORE function is used to store the changes. Changes may be stored to the current memory location number (31 — 90) simply by pressing the STORE key.

EQ BYPASS

There are two ways to switch the selected EQ program in and out: 1) with the control panel BYPASS key and 2) with a footswitch connected to the BYPASS footswitch jack. An optional Yamaha FC4 or FC5 Footswitch can be used for foot-bypass control. In either case — when the control-panel BYPASS key or BYPASS footswitch is pressed — the LED indicator in the BYPASS key will light. While the BYPASS indicator is lit the DEQ7 program is bypassed and the input signal is directly routed to the output terminals (i.e. the effect is OFF). Press the BYPASS key or footswitch a second time to turn the EQ program back ON.

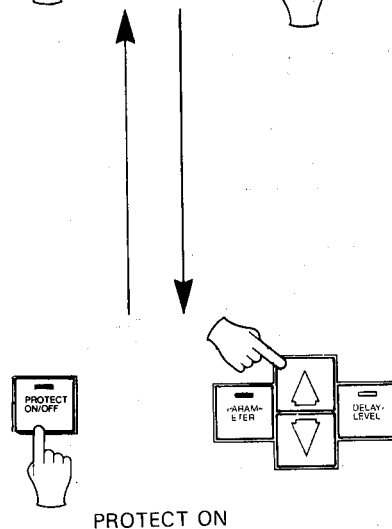
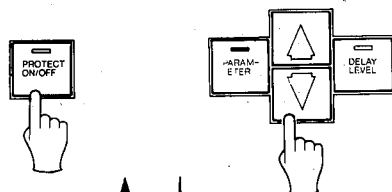


PROTECT

If, for example, you are in the process of recording with the DEQ7 in-line, the last thing you want is for someone or something to accidentally touch one of the control keys, thus changing the EQ setting. The DEQ7 PROTECT function has been provided to prevent this problem. To turn the PROTECT function ON, hold down the PROTECT ON/OFF key and press the parameter editing up-arrow key. The indicator LED in the PROTECT ON/OFF key will light when the PROTECT function is ON. In this condition all the DEQ7 control keys are "locked," and pressing them has absolutely no effect. Turn the PROTECT function OFF by holding down the PROTECT ON/OFF key and pressing the parameter editing down-arrow key.

All MIDI messages other than DUMP REQUEST are ignored when PROTECT is ON.

PROTECT OFF



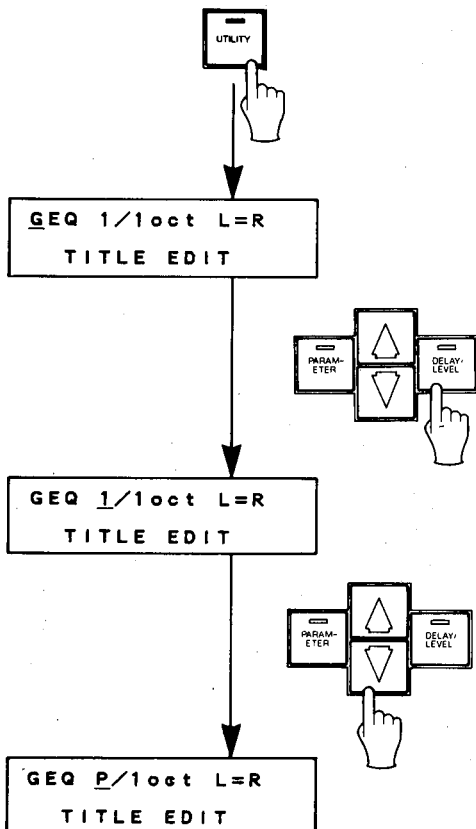
UTILITY FUNCTIONS

The DEQ7 UTILITY key provides access to a number of important functions. Each press on the UTILITY key advances to the next function until the UTILITY mode is exited:

INPUT ATTENUATOR (Lch) → INPUT ATTENUATOR (Rch) → CONVERT → DELAY DISPLAY → TITLE EDIT → MIDI CONTROL (ch) → MIDI CONTROL (BANK) → MIDI PGM CHANGE → MIDI BULK DUMP (BANK) → MIDI BULK DUMP (MEMORY) → exit UTILITY mode.

TITLE EDIT

This function makes it possible to create original titles for programs you edit and store in memory locations 31 through 90. Press the UTILITY key a few times until the "TITLE EDIT" function appears. The "TITLE EDIT" function name appears on the bottom line of the LCD, and an underline cursor appears at the first character position on the top line. The PARAMETER and DELAY/LEVEL keys are used to move the cursor back and forth, while the parameter editing Δ and ∇ keys are used to select a new character for the current cursor position. Simply move the cursor to each character position in turn, selecting the appropriate characters at each position.



* Since the contents of the preset programs can not be changed, attempting to edit the title of one of these programs produces the following display.

RAM (31-90) ONLY
TITLE EDIT

The available characters are as follows:

「	」	“	”	ー	ア	イ	ウ	エ	オ	カ	キ	ク					
ケ	コ	サ	シ	ス	セ	ソ	タ	チ	ツ	テ	ト	ナ	ニ	ヌ	ネ	ノ	
ハ	ヒ	フ	ヘ	ホ	マ	ミ	ム	メ	モ	ヤ	ユ	ヨ	ラ	リ			
ル	レ	ロ	ワ	ラン	#	0	1	2	3	4	5	6	7	8	9		
A	B	C	D	E	F	G	H	I	J	K	L	M	N	O	P	Q	
R	S	T	U	V	W	X	Y	Z	a	ä	b	c	d	e	f	g	
h	i	j	k	l	m	n	o	ö	p	q	r	s	t	u	ü	v	w
x	y	z			<	>	:	.	*	+	-	=	&	/	,	.	
%	!	?	→	←													

* A [space] can also be entered by pressing the STORE key.

MIDI BANK & CHANNEL ASSIGNMENT

The DEQ7 makes it possible to select specific programs via external MIDI control. The DEQ7 receives a MIDI PROGRAM CHANGE NUMBER and selects the program that you have assigned to it using the MIDI PROG CHANGE function which will be described below. The DEQ7 actually can be programmed with four completely independent sets of MIDI PROGRAM CHANGE NUMBER/MEMORY NUMBER assignments. Each of these is contained in a different "bank": A, B, C or D. Before programming the assignments, however, it is necessary to set the DEQ7 MIDI transmit/receive channel using the "MIDI CONTROL ch" function. An example of the way the MIDI channel is set and the four banks may be programmed with different program number/memory number assignments is given below:

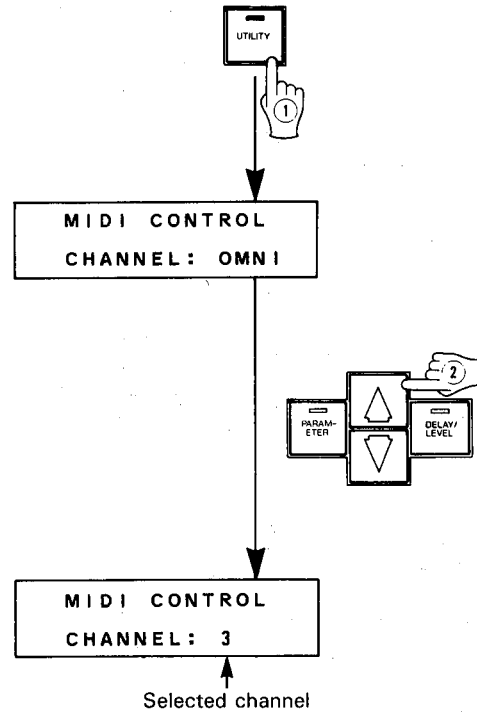
BANK: A	BANK: B
PGM 1 = MEM 1	PGM 1 = MEM 6
PGM 2 = MEM 4	PGM 2 = MEM 7
PGM 3 = MEM 8	PGM 3 = MEM 16
⋮	⋮
PGM128 = MEM 40	PGM128 = MEM 1

↑ Voice PGM number
↑ Memory number of DEQ7

BANK: C	BANK: D
PGM 1 = MEM 90	PGM 1 = MEM 1
PGM 2 = MEM 89	PGM 2 = MEM 2
PGM 3 = MEM 88	PGM 3 = MEM 3
⋮	⋮
PGM128 = MEM 40	PGM128 = MEM 38

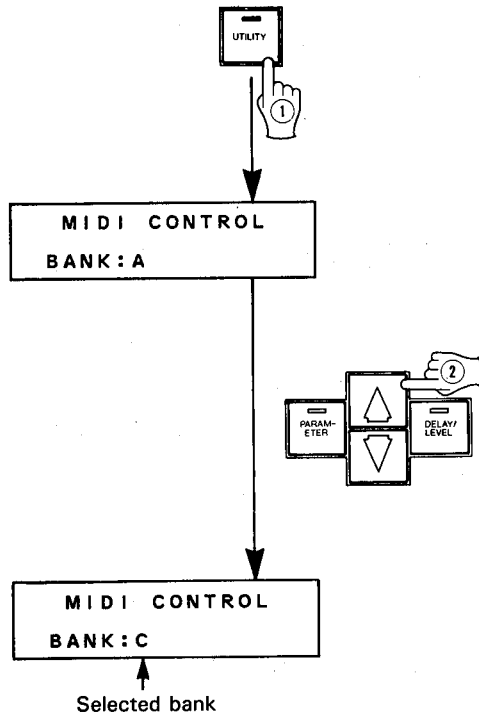
1 MIDI Channel Selection

- ① Press the UTILITY key until the "MIDI CONTROL ch=" function appears.
- ② Use the parameter editing Δ and ∇ keys to set the MIDI channel (1 — 16), the OMNI mode (all channels can be received), or turn MIDI reception OFF.



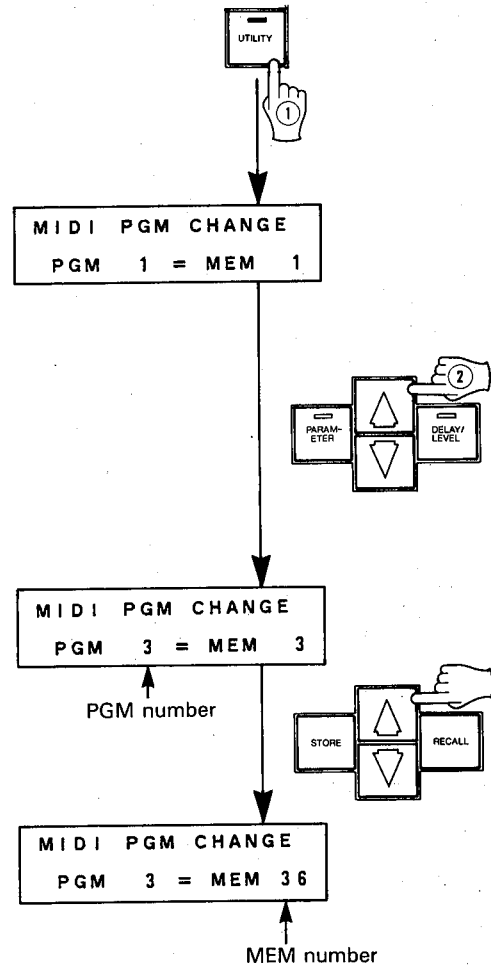
2 Bank Selection

- ① Press the UTILITY key until the MIDI CONTROL BANK function appears).
- ② Select the bank to program using the parameter editing Δ and ∇ keys.



3 Assigning EQ Programs to MIDI Program Change Numbers

- ① Press the UTILITY key until the MIDI PGM CHANGE function appears.
 - ② Use the parameter editing Δ and ∇ keys to select the program change number to which a new DEQ7 memory location number is to be assigned. The range of available program change numbers is from 1 to 128.
 - ③ Use the program select Δ and ∇ keys to select the memory location number containing the effect which is to be assigned to the currently selected program change number.
 - ④ Repeat steps ② and ③ until the desired number of program change numbers have been programmed.
- Hold the UTILITY key down until the UTILITY mode is exited.



NOTE: The program number/memory number assignments made are stored in the BANK selected in the previous MIDI CONTROL BANK function. To program the program change/memory number assignments for a different BANK, return to the MIDI CONTROL BANK mode, select the desired BANK, then program the required assignments.

NOTE: BANK D program change assignments are reset to their initial status when the power is turned OFF.

MIDI BULK DUMP (BANK & MEMORY)

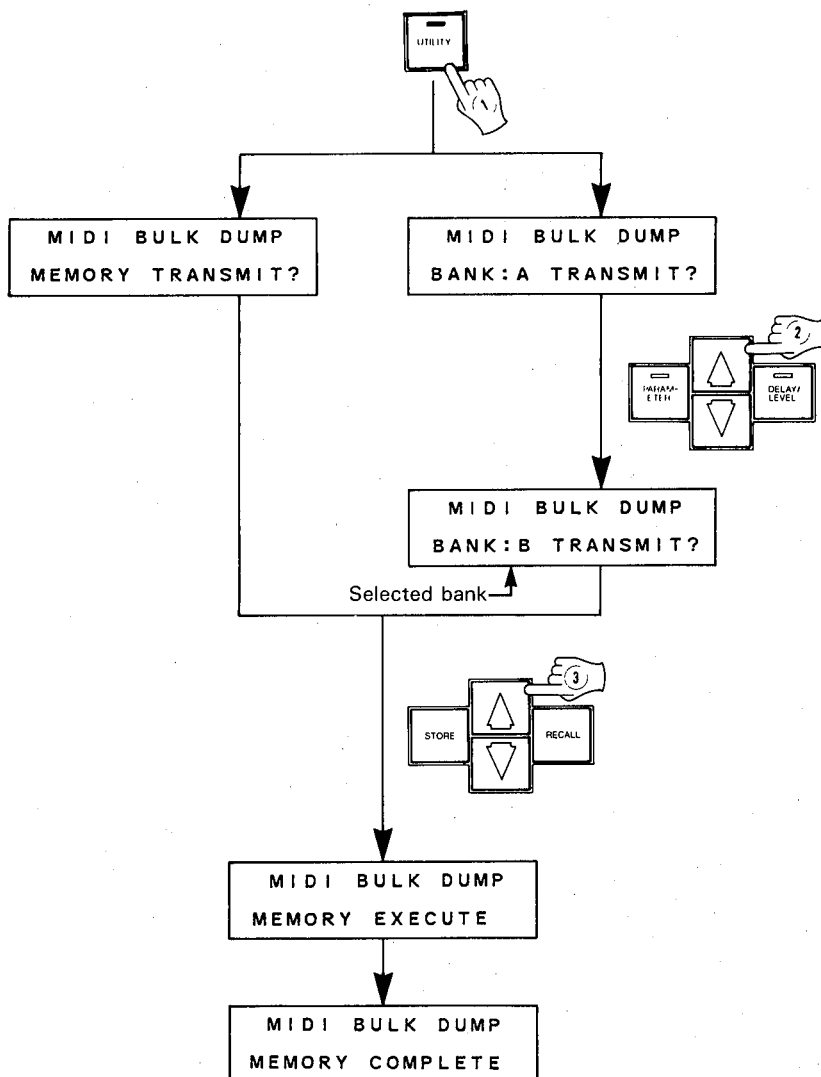
These functions permit dumping program data and/or BANK MIDI assignments via the MIDI OUT terminal. The MIDI BULK DUMP BANK function is used to dump the MIDI program change number assignment table from the selected bank, and the MIDI BULK DUMP MEMORY function dumps the contents of the entire RAM memory (locations 31 through 90).

① Press the **UTILITY** key a few times until the desired MIDI BULK DUMP function appears.

② If the MIDI BULK DUMP BANK function has been selected, use the parameter editing Δ and ∇ keys to select the bank to be dumped (A through D).

③ Press the program selection Δ key to execute the bulk dump operation. "EXECUTE" appears on the LCD during execution, and "COMPLETE" will appear on the bottom line of the LCD when the bulk dump operation has finished.

Hold the **UTILITY** key down until the **UTILITY** mode is exited.



* Press the program selection ∇ key to return to the "TRANSMIT?" display if you wish to perform another bulk dump operation.

Single Program Bulk Dump

Each time a program is recalled using the RECALL key, a bulk dump of the recalled program is performed via the MIDI OUT terminal. If the transmitted program is between 31 and 90, it will be stored in the correspondingly numbered location in the receiving DEQ7.

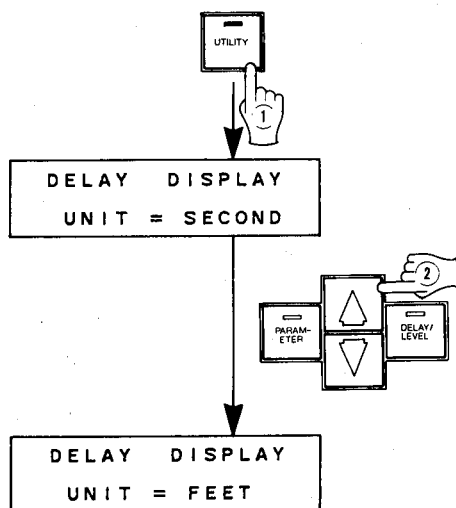
Bulk Dump Reception

The DEQ7 will automatically receive a bulk dump of program or bank data when a MIDI BULK DUMP REQUEST signal is received from the transmitting device.

DELAY DISPLAY

The DEQ7 offers you a choice of delay display (the L DELAY and R DELAY parameters called by the DELAY/LEVEL key) in seconds, meters or feet. The METER and FEET display options are a handy guide when the DEQ7 delays are used to compensate for physical distances between speaker systems in large sound installations.

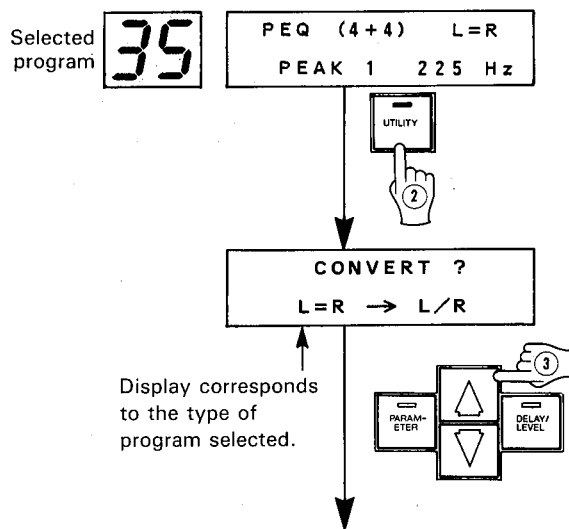
- ① Press the UTILITY key a few times until the DELAY DISPLAY function appears.
- ② Use the parameter editing Δ and ∇ keys to select the SECOND, METER or FEET display option.
Hold the UTILITY key down until the UTILITY mode is exited.



CONVERT L=R → L/R

This function converts L=R programs (programs 1, 4, 7, 13, 16, 18 and 21) stored in the RAM memory to the equivalent L/R types, thus allowing independent programming of the left and right channel parameters. It can also be used to convert the Lch GEQ programs (9 and 11) to the corresponding Rch types, and the Rch GEQ programs (10 and 12) to the corresponding Lch types.

- ① Select the program stored in the RAM memory area which is to be converted.
- ② Press the UTILITY key a few times until the CONVERT function appears.
- ③ Press the program selection Δ key to perform the conversion.
Hold the UTILITY key down until the UTILITY mode is exited.



*If a program which is NOT of the L=R, Lch or Rch type is selected, the CONVERT function will be skipped.

* If the CONVERT function is executed while a program number between 1 and 30 is selected, the CONVERT operation will be canceled.

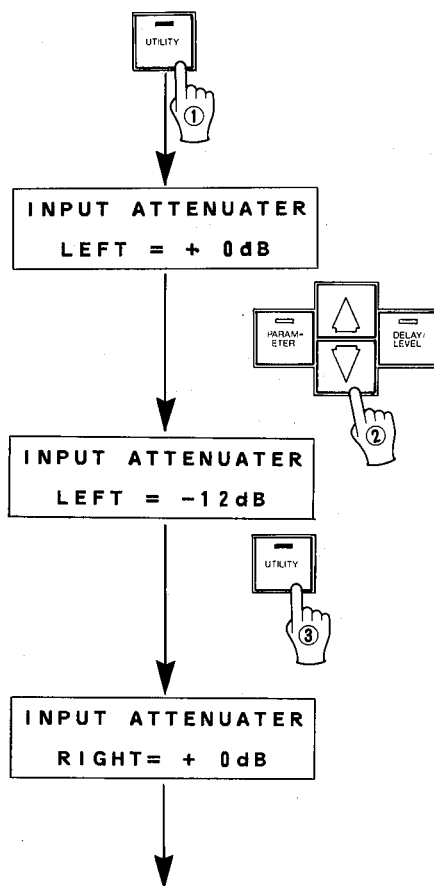
* When a program is converted using this function, the original program is erased. If you wish to keep the original program, make another copy of it in a RAM memory location using the STORE function.

* User-edited titles are erased when programs are converted, and are replaced with the appropriate preset title. Use the TITLE EDIT function to create a new title if necessary.

INPUT ATTENUATOR ADJUSTMENT

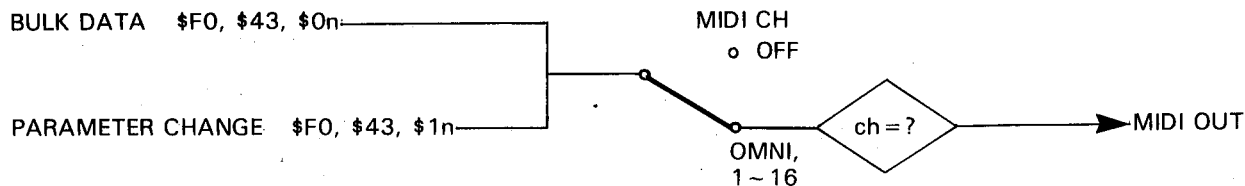
This function makes it possible to independently adjust the input attenuation (sensitivity) of the left and right channels when using the DEQ7's DIGITAL IN terminal. It is essential to set these parameters properly to avoid "skipping" and digital noise that may occur with high-level digital input signals. The INPUT ATTENUATOR control range is from 0 to 60 dB.

- ① Press the UTILITY key until the "INPUT ATTENUATOR LEFT" function appears.
- ② Use the parameter editing Δ and ∇ keys to set the required amount of attenuation for the left channel.
- ③ Press the UTILITY key one more time to call the "INPUT ATTENUATOR RIGHT" function.
- ④ Use the parameter editing Δ and ∇ keys to set the required amount of attenuation for the right channel.
Hold the UTILITY key down until the UTILITY mode is exited.



MIDI DATA FORMAT

1. Transmission Conditions



2. Transmission Data

2-1 System Information

1) System Exclusive Message

① 1 MEMORY BULK DATA

The data is transmitted when a memory location is selected or when a bulk dump request is received from external equipment. The transmitted data consists of the contents of the specified memory number.

STATUS	11110000 (F0H)	
ID NO.	01000011 (43H)	
SUB-STATUS	0000nnnn (0nH)	n=0 (channel no. 1) -15(channel no. 16)
FORMAT NO.	01111110 (7EH)	
BYTE COUNT	00000001 (01H)	
BYTE COUNT	01011010 (07H)	
HEADER	01001100 (4CH)	"L"
	01001101 (4DH)	"M"
	00100000 (20H)	space
	00100000 (20H)	space
	00111000 (38H)	"8"
	00110011 (33H)	"3"
	00110100 (35H)	"5"
	00110110 (36H)	"6"
DATA NAME	01001101 (4DH)	"M"
MEMORY NO.	0mmmmmm	m=1 (memory no. 1) -90 (memory no. 90)
DATA	0ddddddd	125 bytes
	0ddddddd	
CHECKSUM	0eeeeeee	
EOX	11110111 (F7H)	

② 1 BANK PROGRAM CHANGE ASSIGNMENT TABLE BULK DATA

The data is transmitted when the MIDI BULK DUMP BANK TRANSMIT function is executed, or when a bulk dump request is received while the MIDI BULK DUMP BANK display is active. The data transmitted consists of the program change assignment table (assignment of MIDI program change numbers to memory numbers).

STATUS	11110000 (F0H)	
ID NO.	01000011 (43H)	
SUB-STATUS	0000nnnn (0nH)	n=0 (channel no. 1) -15 (channel no. 16)
FORMAT NO.	01111110 (7EH)	
BYTE COUNT	00000001 (01H)	
BYTE COUNT	00001010 (0AH)	
HEADER	01001100 (4CH)	"L"
	01001101 (4DH)	"M"
	00100000 (20H)	space
	00100000 (20H)	space
	00111000 (38H)	"8"
	00110011 (33H)	"3"
	00110100 (35H)	"6"
	00110110 (36H)	"6"
DATA NAME	01010100 (54H)	"T"
BANK NO.	0bbbbbbb	b=bank 1-4 (1=A, 2=B, 3=C, 4=D)
DATA	0ddddddd	128 bytes
	0ddddddd	
CHECKSUM	0eeeeeee	
EOX	11110111 (F7H)	

③ 60 MEMORY & ALL BANKS BULK DATA

The data is transmitted when the MIDI BULK DUMP MEMORY TRANSMIT function is activated. The contents of memory numbers 1 through 60, and the contents of the program change assignment tables in all 4 banks are transmitted.

STATUS 11110000 (F0H) — Memory no. 31 data
 EOX 11110111 (F7H)

STATUS 11110000 (F0H) — Memory no. 90 data
 EOX 11110111 (F7H)

STATUS 11110000 (F0H) — Bank A data
 EOX 11110111 (F7H)

STATUS 11110000 (F0H) — Bank D data
 EOX 11110111 (F7H)

A 1 MEMORY BULK DUMP is performed 60 times, and a 1 BANK PROGRAM CHANGE ASSIGNMENT TABLE BULK DUMP is performed 4 times.

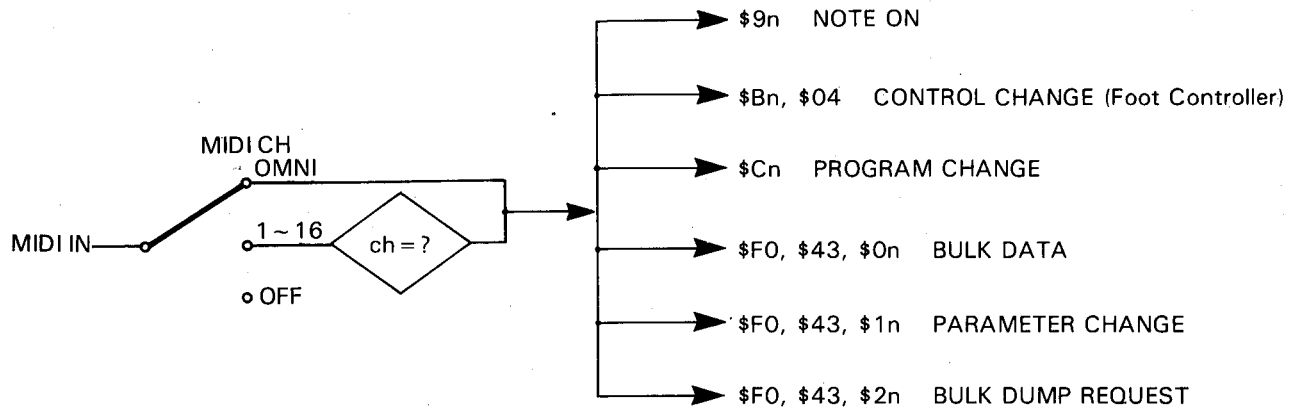
④ PARAMETER CHANGE

The message is transmitted when a parameter value is changed.

STATUS 11110000 (F0H)
 IN NO. 01000011 (43H)
 SUB-STATUS 0001nnnn (1nH) n=0 (channel no. 1)–
 n=15 (channel no. 16)
 PARM. GROUP 00010011 (1CH)
 PARM NO. 0pppppppp see chart below
 DATA 0000dddd see chart below
 0000dddd
 EOX 11110111 (F7H)

PARAMETER	pppppppp	pppp pppp
L DELAY	0	0–255
R DELAY	1	0–255
L OUT LEVEL	2	0–100
R OUT LEVEL	3	0–100
PARAMETER 1	4	—
:	:	
:	:	
PARAMETER 42	45	

3. Reception Conditions



4. Reception Data

4-1 Channel Information

① NOTE ON

Only affects programs 25 and 28. When the control parameter for these programs is set to NOTE #, the filter frequency is determined by the received NOTE NUMBER.

STATUS	1001nnnn (9nH)	n = 0 (channel no. 1)– 15 (channel no. 16)
NOTE NO.	0kkkkkkk	k = 0 (C-2)–127(G#)
VELOCITY	0vvvvvvv	v = 0–127

③ PROGRAM CHANGE

When received, the memory number is recalled that is assigned to the received program change number in the program change assignment table of the currently active bank.

STATUS	1100nnnn (CnH)	n = 0 (channel no. 1)– 15 (channel no. 16)
PROGRAM NO.	0ccccccc	c = 0–127

② CONTROL CHANGE

Control change messages can only be received when programs 25 or 28 are active. When the CONTROL parameter is set to "MIDI Ft" reception is possible. Only the MIDI FOOT CONTROL CONTROL CHANGE message can be received.

STATUS	1011nnnn (BnH)	n = 0 (channel no. 1)– 15 (channel no. 16)
CONTROL NO.	0000100 (04H)	Foot control
VALUE	0vvvvvvv	v = 0–127

4-2 SYSTEM INFORMATION

1) SYSTEM EXCLUSIVE MESSAGE

① 1 MEMORY BULK DATA

The data received is the same as the data transmitted in "1 MEMORY BULK DATA," described in the "Transmission Data" section. Only programs 31 — 90 can be received.

② 1 BANK PROGRAM CHANGE ASSIGNMENT TABLE BULK DATA

The data received is the same as the data transmitted in "1 BANK PROGRAM CHANGE ASSIGNMENT TABLE BULK DATA," described in the "Transmission Data" section.

③ 60 MEMORY & ALL BANKS BULK DATA

The data received is the same as the data transmitted in "60 MEMORY & ALL BANKS BULK DATA," described in the "Transmission Data" section.

④ PARAMETER CHANGE

The data received is the same as the data transmitted in "PARAMETER CHANGE," described in the "Transmission Data" section. When received, the specified parameters in the currently selected program are changed.

⑤ 1 MEMORY BULK DUMP REQUEST

When received, a bulk dump of the data contained in the specified memory location is performed.

STATUS	11110000 (F0H)	
ID NO.	01000011 (43H)	
SUB-STATUS	0010nnnn (2nH)	n = 0 (channel no. 1) — 15 (channel no. 16)
FORMAT NO.	01111110 (7EH)	
HEADER	01001100 (4CH)	"L"
	01001101 (4DH)	"M"
	00100000 (20H)	space
	00100000 (20H)	space
	00111000 (38H)	"8"
	00110011 (33H)	"3"
	00110100 (35H)	"5"
	00110110 (36H)	"6"
DATA NAME	01001101 (4DH)	"M"
MEMORY NO.	0mmmmmm	m = 1 (memory no. 1) —90 (memory no. 90)
EOX	11110111 (F7H)	

⑥ 1 BANK PROGRAM CHANGE ASSIGNMENT TABLE BULK DUMP REQUEST

When received, a bulk dump of the data contained in the specified program change assignment table is performed.

STATUS	11110000 (F0H)	
ID NO.	01000011 (43H)	
SUB-STATUS	0010nnnn (2nH)	n = 0 (channel no. 1) —15 (channel no. 16)
FORMAT NO.	01111110 (7EH)	
HEADER	01001100 (4CH)	"L"
	01001101 (4DH)	"M"
	00100000 (20H)	space
	00100000 (20H)	space
	00111000 (38H)	"8"
	00110011 (33H)	"3"
	00110100 (35H)	"5"
	00110110 (36H)	"6"
DATA NAME	01010100 (54H)	"T"
BANK NO.	0bbbbbbb	b = 1 (bank A) —4 (bank D)
EOX	11110111 (F7H)	

SPECIFICATIONS

ELECTRICAL CHARACTERISTICS

Freq. Response	20 Hz — 20 kHz
Dynamic Range	86 dB
Harmonic Distortion	0.03% max. @ 1 kHz

INPUT

Number of Channels	Balanced x 2 (XLR type)
Nominal Level	+4 dBm/-20 dBm
Impedance	10 k-ohms
Level Control	Rotary, continuous
Level Monitor	8-segment LED

DIGITAL

Number of Channels	2
Sampling Freq.	44.1 kHz
Quantization	16 bits
Digital I/O	Yamaha-format digital input x 1 Yamaha-format digital output x 1

OUTPUT

Number of Channels	Balanced x 2 (XLR type)
Nominal Level	+4 dBm/-20 dBm
Impedance	600 ohms

MEMORY

Presets (ROM)	1 — 30
User Memory (RAM)	31 — 90 (Battery Backup)

MIDI CONTROL

Memory selection (1 — 90) by MIDI program change number.
MIDI foot control message controls filter sweep in programs 25 and 28.
Bulk dump & receive.

FRONT PANEL

Keys	PARAMETER, DELAY/LEVEL, DATA INCREMENT, DATA DECREMENT, STORE, RECALL, MEMORY INCREMENT, MEMORY DECREMENT, UTILITY, PROTECT ON/OFF, BYPASS
Jacks	FOOT CONTROL, BYPASS
Display	16 char. x 2 line backlit LCD 2-digit 7-segment LED

REAR PANEL

INPUT/OUTPUT Jacks	INPUT L, INPUT R, OUTPUT L, OUTPUT R, DIGITAL IN, DIGITAL OUT
Level Selectors	INPUT LEVEL (+4 dB/-20 dB), OUTPUT LEVEL (+4 dB/-20 dB)
MIDI Terminals	IN, OUT

GENERAL

Power Supply	U.S & Canada: 120 VAC, 30 W General Model: 220 — 240 VAC, 30W
Dimensions (W x H x D)	480 x 45.2 x 285 mm
Weight	3.7 kg

* 0 dB = 0.775 V RMS

* Specifications are subject to change without notice.

Egaliseur numérique



Manuel d'utilisation

FELICITATIONS!

Votre égaliseur numérique DEQ7 utilise la technologie de pointe de Yamaha de traitement du signal numérique, afin de vous offrir une égalisation extrêmement précise et stable, dans une grande variété de formats. Cet appareil inclut une sélection de types d'égalisations "graphiques", d'égalisations paramétriques, le contrôle des tonalités, des filtres passe-bande et coupe-bande, ainsi qu'un choix de programmations d'égalisation dynamiques exclusives. N'importe quel programme parmi les 30 proposés, peut-être modifié et sauvegardé dans un des 60 emplacements de mémoire et être rappelé à tout moment par l'utilisateur. Et comme le DEQ7 est entièrement numérique, il produit un son impeccablement clair et précis. La remarquable polyvalence du DEQ7 en fait l'appareil idéal à utiliser dans une large plage d'applications professionnelles, dans les domaines de l'enregistrement, de la production audiovisuelle, des émissions et du renforcement sonore. Nous vous recommandons de lire attentivement ce mode d'emploi avant d'utiliser votre DEQ7, afin de tirer le meilleur parti de ses caractéristiques avancées et de ses multiples possibilités.

TABLE DES MATIERES

PRECAUTIONS	21	7. EGG 1/2 oct G=D	66
COMMANDES ET CONNEXIONS	22	8. EGG 1/2 oct G/D	67
EXPLOITATION GENERALE	24	9. EGG 1/3 oct can.G	68
CONFIGURATION DE LA MEMOIRE	24	10. EGG 1/3 oct can.D	69
SELECTION D'UNE PROGRAMMATION		11. EGG 1/3 oct can.G E	70
D'EGALISATION	24	12. EGG 1/3 oct can.D E	71
EDITION DES PARAMETRES	25	13. EGP (4 + 4) G=D	72
SAUVEGARDE D'UNE PROGRAMMATION		14. EGP (4 + 4) G/D	73
DANS LA MEMOIRE DE L'UTILISATEUR ...	26	15. EGP + ETAGE. G/D E	74
DERIVATION DE L'EGALISATION	27	16. CONTROLE DE TONALITE G=D	75
PROTECTION	27	17. CONTROLE DE TONALITE G/D	76
FONCTIONS D'UTILITE	28	18. PASSE-BANDE G=D	77
MONTAGE DE TITRE	28	19. PASSE-BANDE G/D	78
BANQUE MIDI ET ASSIGNATION DE CANAL ...	29	20. PASSE-BANDE G/D E	79
VIDAGE EN BLOC MIDI		21. COUPE-BANDE G=D	80
(BANQUE ET MEMOIRE)	31	22. COUPE-BANDE G/D	81
AFFICHAGE DU RETARD	32	23. 4 EGP, 6 ENCOCHES	82
CONVERSION G=D EN G/D	32	24. 6 ENCOCHE S G/D	83
REGLAGE DE L'ATTENUATEUR D'ENTREE ...	33	25. CP EGP DYN.	84
FORMAT DES DONNEES MIDI	34	26. NIVEAU EGP DYN.	85
SPECIFICATIONS	38	27. OBF EGP DYN.	86
DESCRIPTION DES PROGRAMMATIONS	59	28. CP FILTRE DYN.	87
1. EGG 1/1 oct G=D	60	29. NIVEAU FILTRE DYN.	88
2. EGG 1/1 oct G/D	61	30. OBF FILTRE DYN.	89
3. EGG 1/1 oct G/D E	62	CONDITIONS DE RECEPTION MIDI	90
4. EGG 2/3 oct G=D	63	SCHEMA DE PRINCIPE	91
5. EGG 2/3 oct G/D	64	DIMENSIONS	91
6. EGG 2/3 oct G/D E	65	FORMULAIRE	92

PRECAUTIONS

1. EVITER CHALEUR, HUMIDITE, POUSSIERE ET VIBRATIONS EXCESSIVES.

Ne pas laisser l'appareil là où il pourrait être soumis à des températures ou une humidité excessives, comme par exemple à proximité d'un radiateur, d'un calorifère, etc. Eviter également les endroits particulièrement poussiéreux ou soumis à des vibrations qui pourraient provoquer des dommages mécaniques.

2. EVITER LES CHOCS.

Des chocs physiques violents peuvent endommager l'appareil. Par conséquent, le manipuler avec soin.

3. NE PAS OUVRIR L'APPAREIL ET NE PAS ESSAYER DE LE REPARER OU DE LE MODIFIER SOI-MEME.

Ce produit ne contient pas de pièces réparables par l'utilisateur. Pour l'entretien et les réparations, toujours contacter un personnel Yamaha compétent. Le fait d'ouvrir l'appareil et/ou d'altérer les circuits rend la garantie nulle.

4. AVANT DE PROCEDER AUX CONNEXIONS OU AUX DEBRANCHEMENTS, CONFIRMER QUE L'APPAREIL EST HORS TENSION.

Avant de brancher ou de débrancher les cordons, toujours mettre l'appareil hors tension. Cette démarche est importante, car elle permet d'éviter tout dommage à l'appareil, ainsi qu'aux autres éléments raccordés.

5. MANIPULER PRECAUTIONNEUSEMENT LES CORDONS.

Brancher et débrancher les cordons, le cordon d'alimentation secteur y compris, en saisissant le connecteur, jamais en tirant sur le fil.

6. NETTOYER L'APPAREIL AVEC UN CHIFFON DOUX ET SEC.

Ne jamais utiliser de solvants, tels que la benzine ou un dissolvant, pour nettoyer l'appareil. L'essuyer simplement avec un chiffon doux et sec.

7. TOUJOURS UTILISER LA SOURCE D'ALIMENTATION ADEQUATE.

Veiller que la tension de la source d'alimentation, spécifiée sur le panneau arrière, correspond à celle de l'alimentation secteur locale. Modèles pour les Etats-Unis et le Canada: Secteur de 120V, 60Hz. Modèle général: Secteur de 220 à 240V, 50/60Hz.

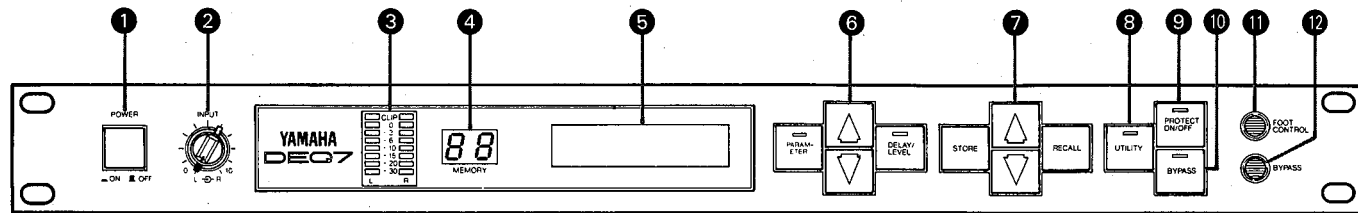
8. INTERFERENCE ELECTRIQUE

Le DEQ7 comprend une circuiterie numérique et peut dès lors causer des interférences s'il est placé trop près de récepteurs de télévision ou de radio, ou d'appareils similaires. Si le cas se présente, éloigner le DEQ7 de l'appareil affecté.

9. PILE D'APPOINT

Le DEQ7 est muni d'une pile spéciale de longue durée qui conserve le contenu de la mémoire de l'utilisateur lorsque l'alimentation est coupée. A raison d'une utilisation normale, la pile doit durer cinq ans environ. Si, la tension de la pile tombe en-dessous du niveau de sécurité, le message "**** WARNING *** LOW BATTERY" (**** ATTENTION *** PILE EPUISEE) apparaît sur l'affichage à cristaux liquides, lorsque le DEQ7 est mis sous tension. Ne pas tenter de remplacer la pile par soi-même.

Panneau avant



❶ Interrupteur d'alimentation (POWER)

❷ Réglage du niveau d'entrée gauche/droit (L/R INPUT)

Ce double réglage concentrique permet d'ajuster de manière indépendante les niveaux d'entrée des canaux gauche et droit. Les boutons de réglage sont couplés par friction, de sorte que, dès que l'équilibrage du niveau d'entrée gauche/droit a été ajusté, il est possible de modifier le niveau d'entrée global par simple rotation du réglage central.

❸ VU-mètres et témoins de suppression des crêtes

Les VU-mètres indépendants à DEL à 8 segments, sont fournis pour les canaux gauche et droit. L'affichage varie de -30 à 0dB. Le témoin de suppression des crêtes s'allume aux niveaux supérieurs à +18dBm, lorsque le réglage de niveau est sur "7" et l'interrupteur de niveau d'entrée, sur "+4dB".

❹ Affichage à DEL du numéro de la mémoire

Cet affichage numérique à 2 chiffres indique le numéro de l'emplacement de la mémoire actuellement sélectionné (1 à 90). Lorsque l'affichage à DEL reste constamment allumé, l'effet correspondant au numéro est alors actif. Lorsque l'affichage à DEL clignote, il indique, dans ce cas, qu'un nouvel emplacement de mémoire a été choisi, mais pas encore rappelé, ce qui laisse l'effet précédent actif.

❺ Panneau d'affichage à cristaux liquides

Ce panneau d'affichage à cristaux liquides ("ACL") est l'affichage principal des données et des paramètres du DEQ7. Il affiche sur 2 lignes de 16 caractères et est éclairé de l'arrière pour faciliter la lecture sous n'importe quel éclairage.

❻ Touches de modification des paramètres

Le groupe des quatre touches de l'extrême gauche, sur le panneau avant du DEQ7, à savoir, PARAMETER (paramètre), FLECHE VERS LE HAUT, FLECHE VERS LE BAS et DELAY/LEVEL (retard/niveau), est utilisé pour sélectionner et modifier les paramètres dans la programmation actuellement choisie. Les touches PARAMETER et DELAY/LEVEL sont utilisées pour sélectionner le paramètre à monter, tandis que les touches "fléchées" sont utilisées pour modifier la valeur du paramètre choisi. Une poussée simultanée sur les touches PARAMETER, FLECHE VERS LE HAUT et FLECHE VERS LE BAS incrémente ou décrémente le paramètre de manière continue.

❼ Touches de sélection de programmation et de sauvegarde

Le groupe central des quatre touches, à savoir STORE (sauvegarde), FLECHE VERS LE HAUT, FLECHE VERS LE BAS et RECALL (rappel), est utilisé pour sélectionner et rappeler toute programmation ROM pré-réglée (numéros de 1 à 30) ainsi que les programmations utilisateur, dans la zone RAM (chiffres de 31 à 90). La touche STORE permet de mémoriser une programmation dans tout emplacement de mémoire RAM (de 31 à 90).

❽ Touche d'utilité (UTILITY)

La touche UTILITY permet d'accéder à un nombre de fonctions d'utilité, comprenant l'appellation, le réglage de l'atténuateur d'entrée, la banque MIDI et le contrôle de canal, le changement de programmation MIDI à l'assignation d'un numéro de mémoire, le contrôle du vidage en bloc MIDI et la sélection d'affichage en secondes ou en pieds.

❾ Touche de marche/arrêt de protection (PROTECT ON/OFF)

La touche PROTECT ON/OFF est utilisée pour "verrouiller" les réglages du DEQ7 de sorte qu'ils ne puissent être modifiés par inadvertance. Pour commuter le mode de protection sur marche, maintenir la touche PROTECT enfoncée et appuyer sur la touche de paramètre fléchée vers le bas. Il est impossible d'enclencher le mode de protection tant que l'affichage MEMORY clignote.

❿ Touche de dérivation (BYPASS)

Lorsque la touche BYPASS est enfoncée et que son témoin à DEL s'allume, la programmation d'égalisation sélectionnée est évitée et le signal direct, non égalisé, est dirigé vers les connecteurs de sortie de l'appareil. Pour reprendre l'utilisation normale d'égalisation, appuyer de nouveau sur la touche BYPASS (le témoin à DEL s'éteint).

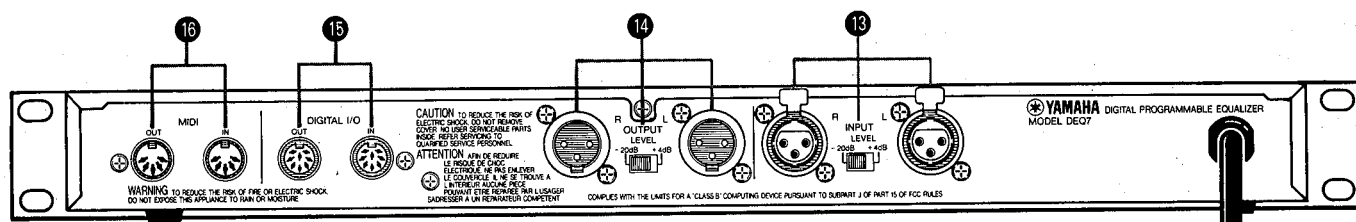
⓫ Prise de contrôle au pied (FOOT CONTROL)

Un contrôleur au pied, disponible en option, (Yamaha FC7) peut être branché ici pour permettre de contrôler par le pied les paramètres de filtre des programmations d'égalisations dynamiques.

⓬ Prise de dérivation (BYPASS)

Si un interrupteur au pied, disponible en option, (Yamaha FC4 ou FC5) est branché à cette prise, il remplit la même fonction que la touche BYPASS ❿.

Panneau arrière



13 Connecteurs d'entrée gauche/droit (L/R INPUT) et sélecteur de niveau (LEVEL)

Les entrées des canaux gauche et droit du DEQ7 sont des connecteurs du type femelle XLR, afin d'être compatibles avec des appareils à usage professionnel et maximiser les possibilités de raccordement. La circuiterie d'entrée est équilibrée électroniquement et présente une impédance de charge de 10000 ohms. Le sélecteur LEVEL permet de choisir le niveau d'entrée nominal entre -20dB et +4dB.

14 Connecteurs de sortie gauche/droit (L/R OUTPUT) et sélecteur de niveau (LEVEL)

Les connecteurs de sortie des canaux gauche et droit du DEQ7 sont du type mâle XLR et délivrent un signal équilibré. Le sélecteur LEVEL permet de choisir le niveau de sortie nominal entre -20dB et +4dB.

15 Connecteurs d'entrée et de sortie d'entrée/sortie numérique (DIGITAL I/O IN et OUT)

Ces connecteurs IN et OUT numériques de format Yamaha permettent le raccordement numérique direct d'appareils Yamaha compatibles, tels que le processeur de mixage numérique DMP7. Pour l'usage de l'entrée numérique, utiliser la fonction d'atténuateur d'entrée du mode UTILITY pour régler le niveau d'entrée approprié.

16 Connecteurs d'entrée et de sortie MIDI (MIDI IN et OUT)

Les signaux MIDI en provenance des appareils externes peuvent être envoyés au connecteur MIDI IN pour sélectionner à distance les programmations d'égalisation et déclencher les programmations d'égalisations dynamiques. Le connecteur MIDI OUT est conçu pour pouvoir vider le contenu de la mémoire RAM interne dans un enregistreur de données MIDI, tel que le Yamaha MDF1. Les données des programmations ainsi conservées peuvent être plus tard rechargées par le connecteur MIDI IN.

CONFIGURATION DE LA MEMOIRE

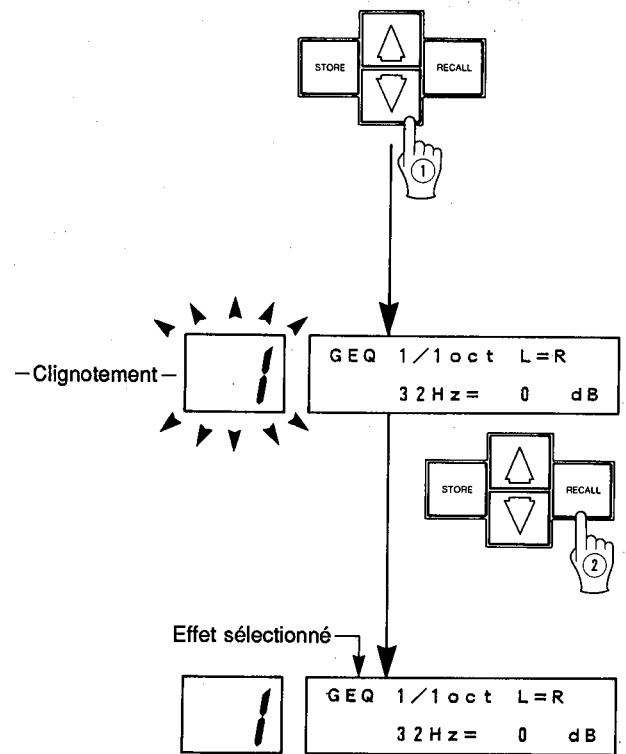
Le DEQ7 possède un total de 90 emplacements de mémoire interne. Les emplacements de 1 à 30 sont des mémoires qui ne peuvent être que "lues" (ROM) qui contiennent les 30 programmations d'égalisation pré-réglées. Ces emplacements ne peuvent être modifiés d'aucune façon. Les programmations d'égalisation contenues dans les emplacements de 1 à 30 sont les suivantes.

N° Mém.	Nom de Programmation	N° Mém.	Nom de Programmation
1.	GEQ 1/1 oct L=R	16.	TONE CONTROL L=R
2.	GEQ 1/1 oct L/R	17.	TONE CONTROL L/R
3.	GEQ 1/1 oct L/R N	18.	BAND PASS L=R
4.	GEQ 2/3 oct L=R	19.	BAND PASS L/R
5.	GEQ 2/3 oct L/R	20.	BAND PASS L/R N
6.	GEQ 2/3 oct L/R N	21.	BAND REJECT L=R
7.	GEQ 1/2 oct L=R	22.	BAND REJECT L/R
8.	GEQ 1/2 oct L/R	23.	4-PEQ, 6-NOTCH
9.	GEQ 1/3 oct Lch	24.	6-NOTCH L/R
10.	GEQ 1/3 oct Rch	25.	DYN. PEQ FC
11.	GEQ 1/3 oct Lch N	26.	DYN. PEQ LEVEL
12.	GEQ 1/3 oct Rch N	27.	DYN. PEQ LFO
13.	PEQ (4+4) L=R	28.	DYN. FILTER FC
14.	PEQ (4+4) L/R	29.	DYN. FILTER LEVEL
15.	PEQ + SHELV. L/R N	30.	DYN. FILTER LFO

Une description complète des programmations d'effet et de leurs paramètres est fournie au chapitre "DESCRIPTION DES PROGRAMMATIONS", page 59. Les emplacements de 31 à 90 sont des mémoires qui peuvent être "lues" et transformées (RAM) et qui peuvent être utilisées pour mémoriser les versions personnalisées des programmations pré-réglées.

SELECTION D'UNE PROGRAMMATION D'EGALISATION

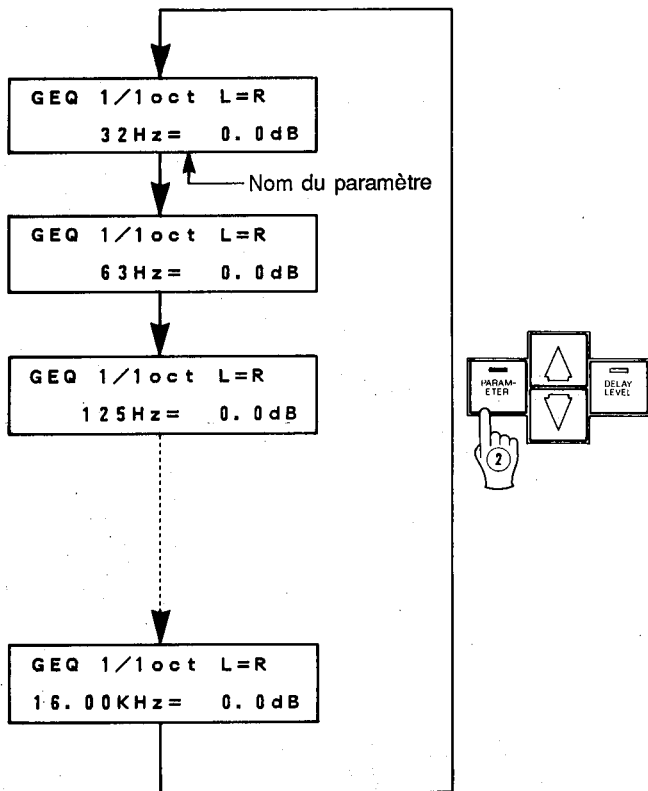
- Appuyer sur la sélection de programmation ou sur la touche Δ ou ∇ pour incrémenter ou décrémente le numéro de l'emplacement de mémoire indiqué sur l'affichage à DEL. Pour incrémenter ou décrémente de manière ininterrompue, maintenir la touche enfoncée. Le nom de la programmation correspondant à l'emplacement de mémoire actuellement sélectionné va apparaître sur l'ACL et si un emplacement de mémoire situé entre 31 et 90 est sélectionné alors qu'aucune programmation d'égalisation n'y est sauvegardée, le message "****NO DATA****" (PAS DE DONNEES) va, dans ce cas, apparaître. Remarquer qu'à cette étape l'affichage à DEL du numéro de la programmation d'égalisation clignote, ce qui veut dire que bien qu'un nouvel emplacement ait été choisi, son contenu n'a pu être rappelé.
- Lorsque la programmation d'égalisation souhaitée a été choisie, appuyer sur la touche RECALL. L'affichage à DEL du numéro de la mémoire cesse de clignoter et la programmation sélectionnée entre en service.



EDITION DES PARAMETRES

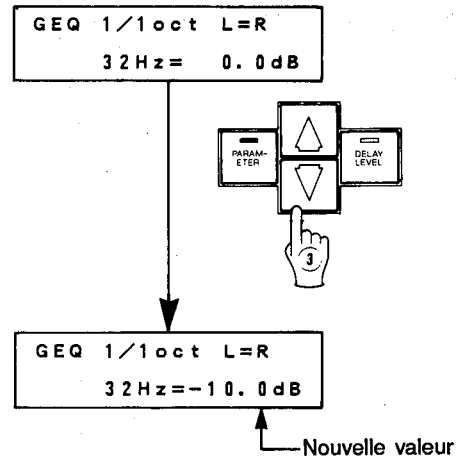
Chaque programmation du DEQ7 possède un certain nombre de paramètres internes qui peuvent être édités pour créer l'égalisation ou l'effet souhaité. Une description complète de chaque effet et de ses paramètres est fournie au chapitre "DESCRIPTION DES PROGRAMMATIONS, page 59. La touche PARAMETER est utilisée pour accéder aux paramètres qui sont exclusifs à chaque programmation, tandis que la touche DELAY/LEVEL est utilisée pour accéder aux paramètres de retard et de niveau, paramètres identiques à chaque programmation. Si, à titre d'exemple, on utilise la programmation n°1 (EGG 1/1 oct G=D), voici comment accéder et éditer les paramètres.

- ① Sélectionner et rappeler l'effet souhaité.
- ② Lorsque la programmation est rappelée, le premier des paramètres de l'effet choisi apparaît au bas de l'ACL. Chaque fois que la touche PARAMETER est enfoncée, le paramètre suivant de la "liste des paramètres" de l'effet sélectionné est appelé*. Pour la programmation n°1 (EGG 1/1 oct G=D), les paramètres suivants sont appelés dans l'ordre suivant.

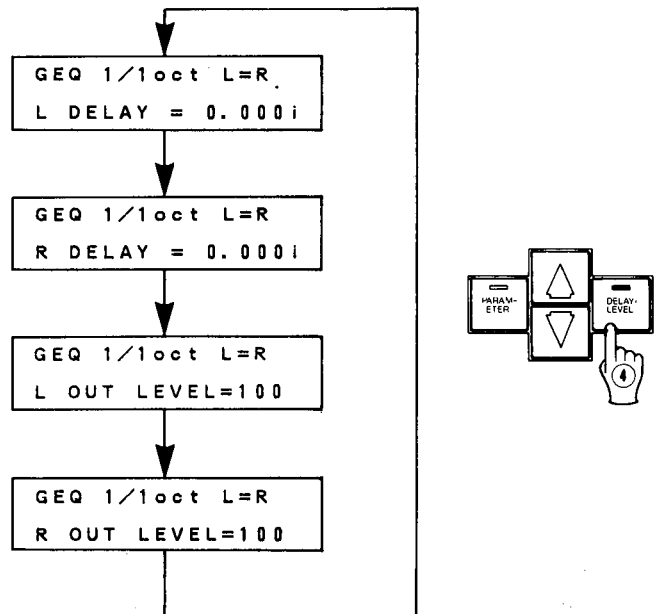


Remarquer que l'on revient sur le premier paramètre de la liste lorsque la touche PARAMETER est enfoncée après que l'on a atteint le dernier paramètre, 16,00KHz dans cet exemple.

- ③ Lorsque le paramètre souhaité est rappelé, sa valeur est éditée par les touches Δ et/ou ∇ . La touche Δ augmente (incrémente) la valeur, tandis que la touche ∇ diminue (décrémente) la valeur. Ces touches peuvent être maintenues enfoncées pour incrémenter ou décrémenter les valeurs de manière continue. Dans le cas de la programmation n°1 (EGG 1/1 oct G=D), la valeur de chaque paramètre est un réglage d'atténuation/coupure situé entre -18dB et +18dB.



- ④ Au besoin, utiliser la touche DELAY/LEVEL pour appeler les paramètres de retard et de niveau. Les valeurs de ces deux paramètres sont montées de la même manière que les autres paramètres décrits ci-dessus, c'est-à-dire, à l'aide des touches Δ et ∇ . A chaque poussée sur la touche DELAY/LEVEL, les paramètres suivants sont rappelés dans l'ordre ci-dessous.



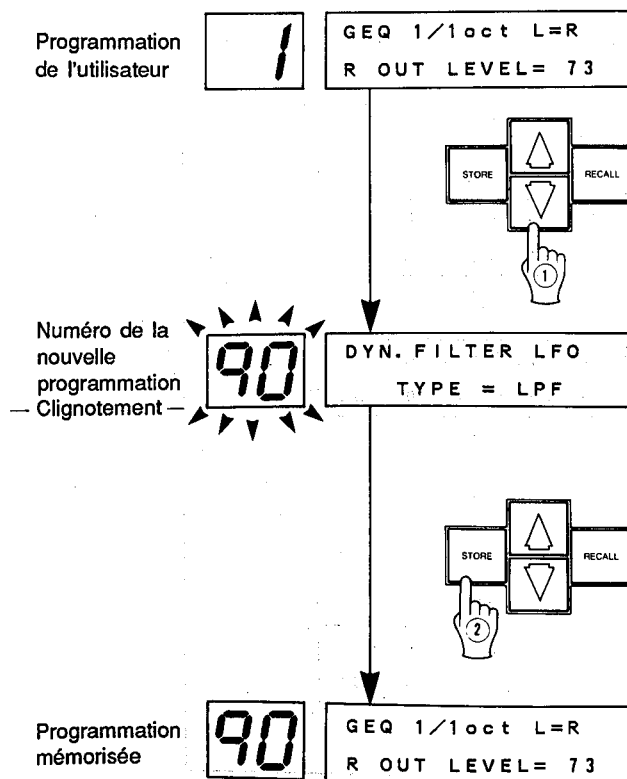
De cette façon, on peut passer en revue les paramètres et modifier ceux-ci sans problème pour créer l'égalisation souhaitée. Si, cependant, on sélectionne et rappelle un nouvel effet sans avoir préalablement sauvegardé ses paramètres dans un emplacement de mémoire situé entre 31 et 90, tous les changements effectués seront perdus et il faudra alors recommencer la programmation. Si l'on souhaite conserver un effet, utiliser l'opération STORE décrite ci-après.

*Il est possible d'incrémenter ou décrémenter les paramètres de manière continue en appuyant simultanément sur les touches Δ et ∇ .

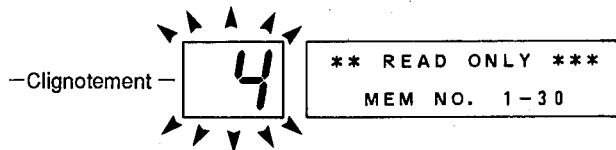
SAUVEGARDE D'UNE PROGRAMMATION DANS LA MEMOIRE DE L'UTILISATEUR

Afin de conserver une programmation et pour pouvoir la rappeler plus tard, procéder aux démarches suivantes.

- ① Après avoir édité un programme, choisir un emplacement de mémoire entre 31 et 90, à l'aide des touches Δ et ∇ . Ne pas rappeler l'emplacement de mémoire sélectionné. Si rien n'a été précédemment mémorisé dans cet emplacement, l'ACL va afficher le message "**** NO DATA ****". Si une programmation y a déjà été mémorisée, son titre va alors apparaître sur l'ACL.
- ② Pour sauvegarder la programmation dans l'emplacement de mémoire sélectionné, appuyer sur la touche STORE. Le titre de la programmation mémorisée va apparaître sur l'ACL (celui-ci peut être par la suite édité pour créer son propre titre, par la fonction EDIT TITLE, en mode UTILITY). L'affichage à DEL du numéro de la mémoire cesse de clignoter et l'emplacement de mémoire sauvegardé devient la programmation active.



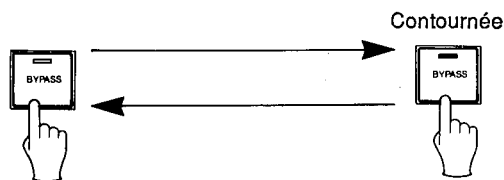
REMARQUE: Il est **IMPOSSIBLE** de sauvegarder les données dans les emplacements de mémoire de 1 à 30. Si l'on tente d'effectuer une telle opération, le message **"***READ ONLY*** MEM NO. 1-30"** (MEMOIRES 1 A 30 FIXES) apparaît sur l'ACL.



REMARQUE: Dès qu'une programmation a été mémorisée dans un emplacement de mémoire de 31 à 90, ses paramètres peuvent encore être modifiés dans celui-ci. Cependant, ces modifications seront perdues si un effet différent est sélectionné et rappelé, sauf si la fonction STORE est utilisée pour mémoriser ces changements. Ceux-ci peuvent être mémorisés au numéro de l'emplacement de mémoire (31 à 90) par simple enclenchement de la touche STORE.

DERIVATION DE L'EGALISATION

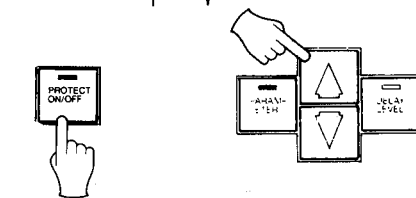
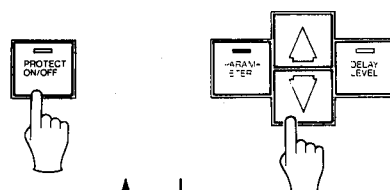
Il existe deux façons d'enclencher et de désenclencher les programmations d'égalisation, à savoir, 1° par la touche BYPASS du panneau de commande et 2° par un interrupteur au pied branché à la prise BYPASS. A cet effet, utiliser l'interrupteur au pied Yamaha FC4 ou FC5, disponible en option. Dans les deux cas, c'est-à-dire, lorsque la touche BYPASS, ou l'interrupteur au pied, est enfoncée, le témoin à DEL de la touche BYPASS s'allume. Pendant que celui-ci est allumé, la programmation du DEQ7 est contournée et le signal d'entrée est envoyé directement aux bornes de sortie (c'est-à-dire que l'effet est coupé). Pour rétablir la programmation d'égalisation, appuyer de nouveau sur la touche BYPASS ou sur l'interrupteur au pied.



PROTECTION

Si, par exemple, on est en train d'enregistrer avec le DEQ7, la dernière chose que l'on souhaite, c'est que quelqu'un ou quelque chose vienne toucher accidentellement les touches de contrôle et modifie ainsi le réglage de l'égalisation. La fonction de protection du DEQ7 évite de genre d'accident. Pour enclencher cette fonction, maintenir la touche PROTECT ON/OFF enfoncée et appuyer sur la touche de modification de paramètre avec la flèche vers le haut. Le témoin à DEL de la touche PROTECT ON/OFF s'allume. A cette étape, les touches de contrôle du DEQ7 sont "verrouillées" et une poussée sur celles-ci reste sans effet. Pour désenclencher la fonction de protection, maintenir la touche PROTECT ON/OFF enfoncée et appuyer sur la touche de montage de paramètre avec la flèche vers le bas. Tant que la fonction de protection est opérationnelle, tous les messages MIDI, autres que "DUMP REQUEST" (DEMANDE DE VIDAGE), sont ignorés.

PROTECTION ENCLENCHEE



PROTECTION DESENCLENCHEE

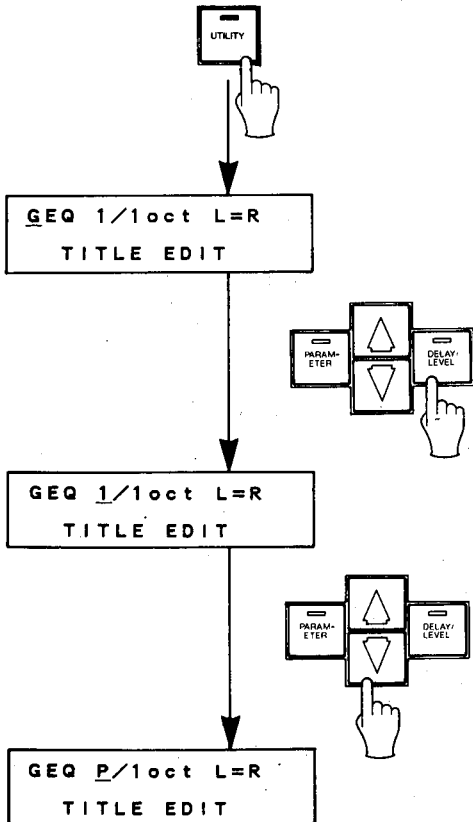
FONCTIONS D'UTILITE

La touche UTILITY du DEQ7 permet d'accéder à un nombre de fonctions importantes. Chaque poussée sur cette touche avance sur la fonction suivante jusqu'à ce que l'on sorte du mode UTILITY.

INPUT ATTENUATER (Lch) → INPUT ATTENUATER (Rch) → CONVERT → DELAY DISPLAY → TITLE EDIT → MIDI CONTROL (ch) → MIDI CNTRL (BANK) → MIDI PGM CHANGE → MIDI BULK DUMP (BANK) → MIDI BULK DUMP (MEMORY) → sortie du mode UTILITY.

MONTAGE DE TITRE (TITLE EDIT)

Cette fonction permet de créer des titres originaux pour vos programmations et conservées dans les emplacement de mémoire de 31 à 90. Appuyer plusieurs fois sur la touche UTILITY jusqu'à ce que la fonction "TITLE EDIT" (montage de titre) apparaisse. L'appellation "TITLE EDIT" apparaît au bas de l'ACL et le curseur apparaît en-dessous du premier caractère, sur la ligne supérieure. Les touches PARAMETER et DELAY/LEVEL sont utilisées pour faire avancer et reculer le curseur, pendant que les touches de modification des paramètres Δ et ∇ sont utilisées pour sélectionner un nouveau caractère pour la position courante du curseur. Déplacer simplement le curseur sur chaque position de caractère et choisir le caractère approprié sur chaque position. Lorsque le titre est achevé, maintenir la touche UTILITY enfoncée jusqu'à la sortie du mode UTILITY.



* Comme le contenu des programmations actuelles ne peut être modifié, si l'on essaie de monter le titre d'une de ces programmations, l'affichage suivant apparaît.

RAM (31-90) ONLY
TITLE EDIT

Les caractères disponibles sont les suivants.

「	」	“	”	—	ア	イ	ウ	エ	オ	カ	キ	ク						
ケ	コ	サ	シ	ス	セ	ソ	タ	チ	ツ	テ	ト	ナ	ニ	ヌ	ネ	ノ		
ハ	ヒ	フ	ヘ	ホ	マ	ミ	ム	メ	ヤ	ユ	ヨ	ラ	リ					
ル	レ	ロ	ワ	ヲ	ン	#	0	1	2	3	4	5	6	7	8	9		
	A	B	C	D	E	F	G	H	I	J	K	L	M	N	O	P	Q	
	R	S	T	U	V	W	X	Y	Z	a	ä	b	c	d	e	f	g	
	h	i	j	k	l	m	n	o	ö	p	q	r	s	t	u	ü	v	w
	x	y	z	[]	<	>	:	.	*	+	=	&	/	,	.		
	'	%	!	?	→	←												

* Un [espace] peut aussi être entré en appuyant sur la touche STORE.

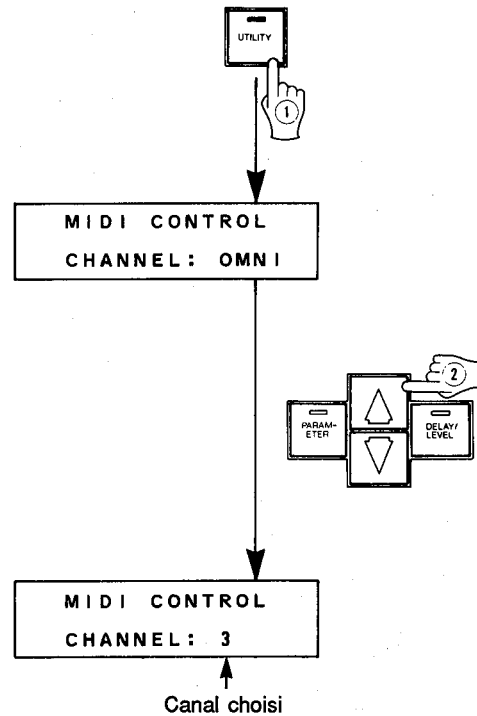
BANQUE MIDI ET ASSIGNATION DE CANAL (MIDI BANK & CHANNEL ASSIGNMENT)

Le DEQ7 permet de sélectionner des programmations spécifiques par contrôle MIDI externe. Le DEQ7 reçoit un NUMERO DE CHANGEMENT DE PROGRAMMATION MIDI (MIDI PROGRAM CHANGE NUMBER) et choisit la programmation qui lui est assignée, à l'aide de la fonction MIDI PROG CHANGE, décrite ci-dessous. Le DEQ7 peut réellement être programmé avec quatre assignations MIDI PROGRAM CHANGE, complètement indépendantes. Chacune de celles-ci contient une "banque" différente, A, B, C, ou D. Cependant, avant de programmer ces assignations, il est nécessaire de régler le canal de transmission/réception MIDI du DEQ7 à l'aide de la fonction "MIDI CONTROL ch". Ci-dessous, un exemple de la manière dont le canal MIDI est réglé et dont les quatre banques peuvent être programmées avec différentes assignations de numéros/numéros de mémoire.

<p style="text-align: center;">BANK: A</p> <p>PGM 1 = MEM 1 PGM 2 = MEM 4 PGM 3 = MEM 8 ⋮ PGM128 = MEM 40</p>	<p style="text-align: center;">BANK: B</p> <p>PGM 1 = MEM 6 PGM 2 = MEM 7 PGM 3 = MEM 16 ⋮ PGM128 = MEM 1</p>
Numéro PGM de voix	Numéro de mémoire du DEQ7
<p style="text-align: center;">BANK: C</p> <p>PGM 1 = MEM 90 PGM 2 = MEM 89 PGM 3 = MEM 88 ⋮ PGM128 = MEM 40</p>	<p style="text-align: center;">BANK: D</p> <p>PGM 1 = MEM 1 PGM 2 = MEM 2 PGM 3 = MEM 3 ⋮ PGM128 = MEM 38</p>

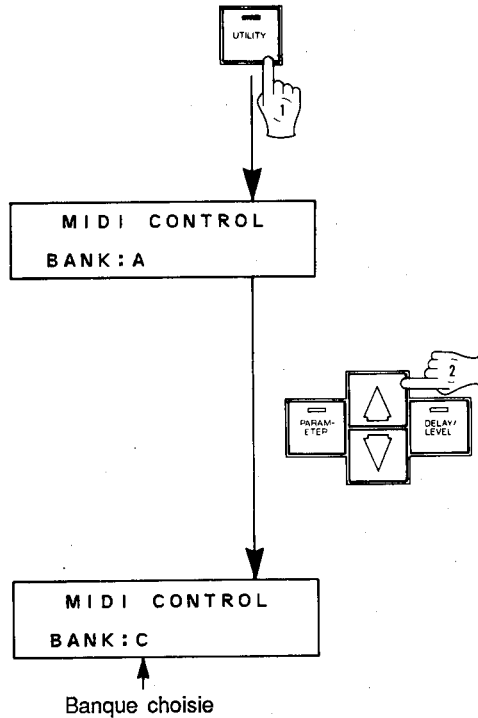
1 Sélection du canal MIDI

- ① Appuyer sur la touche UTILITY jusqu'à ce que l'indication "MIDI CONTROL ch" apparaisse.
- ② Utiliser les touches de modification des paramètres Δ et ∇ pour régler le canal MIDI (de 1 à 16), le mode OMNI (tous les canaux sont recevables), ou pour désenclencher la réception du MIDI.



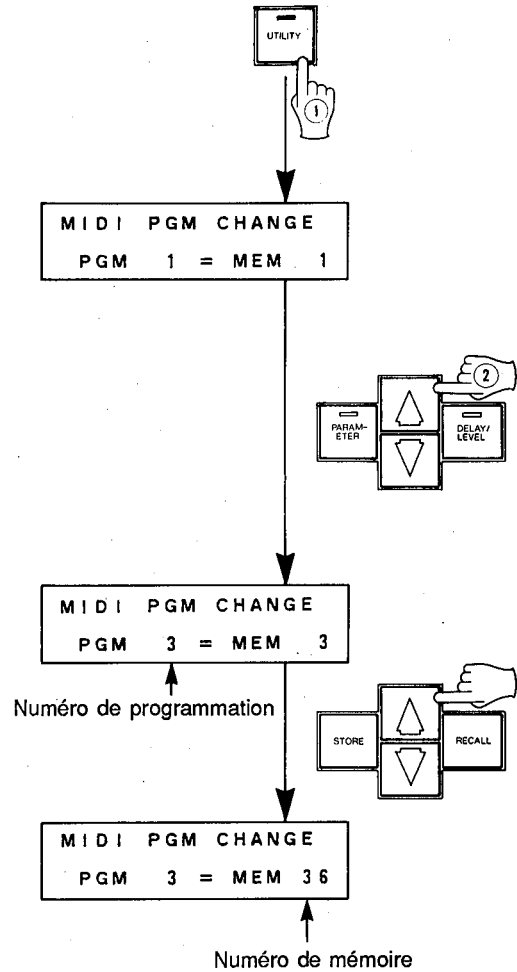
② Sélection de la banque

- ① Appuyer sur la touche UTILITY jusqu'à ce que l'indication "MIDI CONTROL BANK" apparaisse.
- ② Utiliser les touches de modification des paramètres Δ et ∇ pour sélectionner la banque à programmer.



③ Assignment des programmations d'égalisation sur les numéros de changement de programmation

- ① Appuyer sur la touche UTILITY jusqu'à ce que la fonction "MIDI PGM CHANGE" apparaisse.
- ② Utiliser les touches de modification des paramètres Δ et ∇ pour sélectionner le numéro de changement de programmation sur lequel un nouvel emplacement de mémoire du DEQ7 va être assigné. La plage des numéros de changement de programme s'étend de 1 à 128.
- ③ Utiliser les touches de modification des paramètres Δ et ∇ pour sélectionner le numéro de l'emplacement de mémoire qui contient l'effet à assigner au numéro de changement de programmation actuellement sélectionné.
- ④ Répéter les étapes ② et ③ jusqu'à ce que le numéro souhaité parmi les numéros de changement de programmation ait été programmé. Maintenir la touche UTILITY enfoncée jusqu'à la sortie du mode UTILITY.



REMARQUE: Le numéro de programme/numéro de mémoire assignés sont conservés dans la banque, sélectionnée par la fonction MIDI CONTROL BANK, décrite précédemment. Pour pouvoir programmer les assignments des numéros de changement de programme/numéro de mémoire à une banque différente, revenir en mode MIDI CONTROL BANK, choisir la banque souhaitée, puis programmer les assignments souhaitées.

REMARQUE: Les assignments de changement de programme de la banque D sont réinitialisées lorsque l'appareil est mis hors tension.

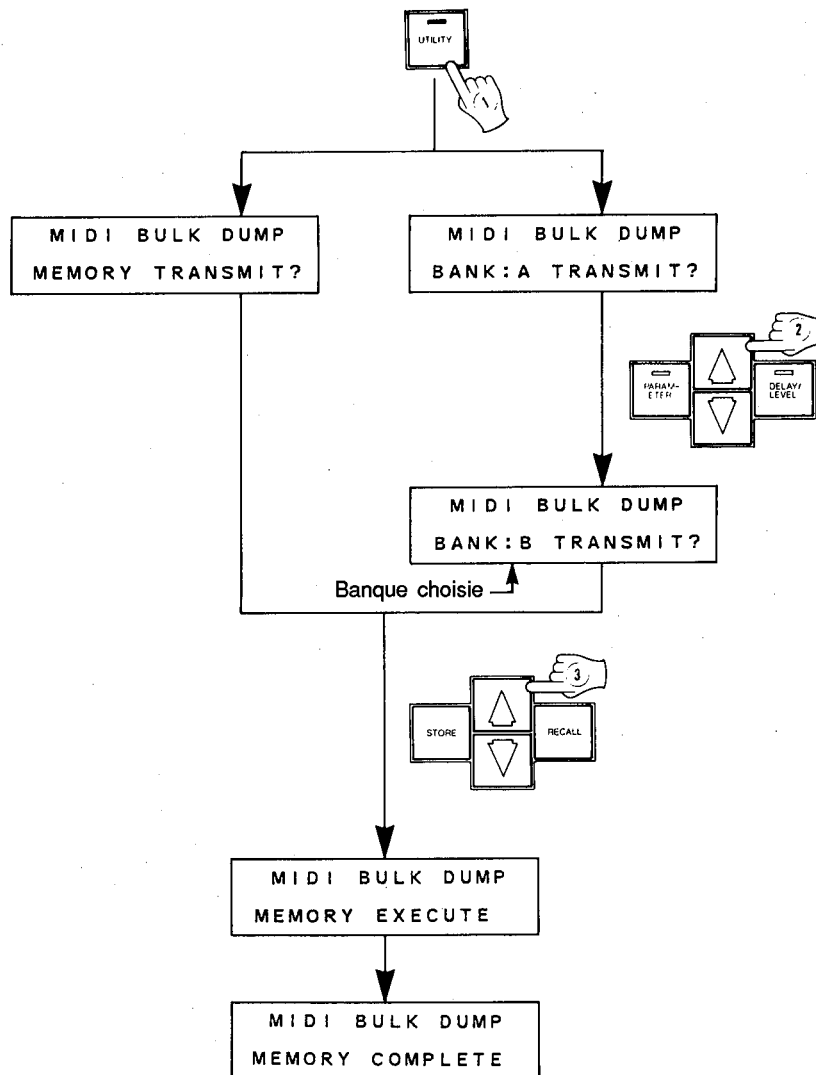
VIDAGE EN BLOC MIDI (BANQUE ET MEMOIRE) (MIDI BULK DUMP (BANK & MEMORY))

Ces fonctions permettent de vider les données de programmation et/ou les assignations de banque MIDI par la borne MIDI OUT. La fonction MIDI BULK DUMP BANK est utilisée pour vider la table d'assignation des numéros de changement de programme, tandis que la fonction MIDI BULK DUMP MEMORY est utilisée pour vider complètement la mémoire RAM de son contenu (emplacements de 31 à 90).

① Appuyer sur la touche UTILITY jusqu'à ce que l'indication "MIDI BULK DUMP" souhaitée apparaisse.

② Si la fonction MIDI BULK DUMP BANK est choisie, utiliser les touches de modification des paramètres Δ et ∇ pour sélectionner la banque à vider (de A à D).

③ Appuyer sur la touche de sélection de programmation Δ pour effectuer l'opération de vidage en bloc. L'indication "EXECUTE" apparaît sur l'ACL, puis "COMPLETE" apparaît au bas de l'ACL lorsque l'opération de vidage est terminée. Maintenir la touche UTILITY enfoncée jusqu'à la sortie du mode UTILITY.



* Si l'on souhaite procéder à une autre opération de vidage en bloc, utiliser à cet effet la touche de sélection de programmation ∇ pour revenir à l'affichage "TRANSMIT?" (transmettre?).

Vidage en bloc d'une seule programmation

Chaque fois qu'une programmation est rappelée par la touche RECALL, un vidage en bloc de la programmation rappelée est effectué via la borne MIDI OUT. Si la programmation transmise se situe entre 31 et 90, elle sera conservée au numéro de l'emplacement de mémoire correspondant, sur le DEQ7, qui fait alors office d'appareil récepteur.

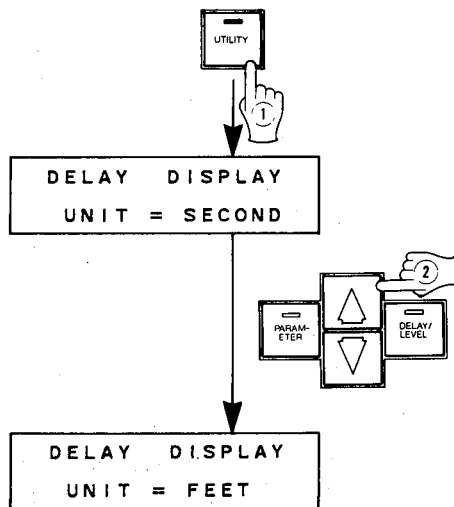
Réception du vidage en bloc

Lorsque le signal MIDI BULK DUMP REQUEST (DEMANDE DE VIDAGE EN BLOC MIDI) est reçu de l'appareil émetteur, le DEQ7 reçoit automatiquement un vidage en bloc de programmation ou de données.

AFFICHAGE DU RETARD (DELAY DISPLAY)

Le DEQ7 offre un affichage de retard (les paramètres L DELAY et R DELAY appelés par la touche DELAY/LEVEL) en secondes, mètres, ou pieds. Les options d'affichage METER et FEET sont pratiques pour compenser la distance physique qui existe entre les systèmes de diffusion, dans les grandes installations sonores.

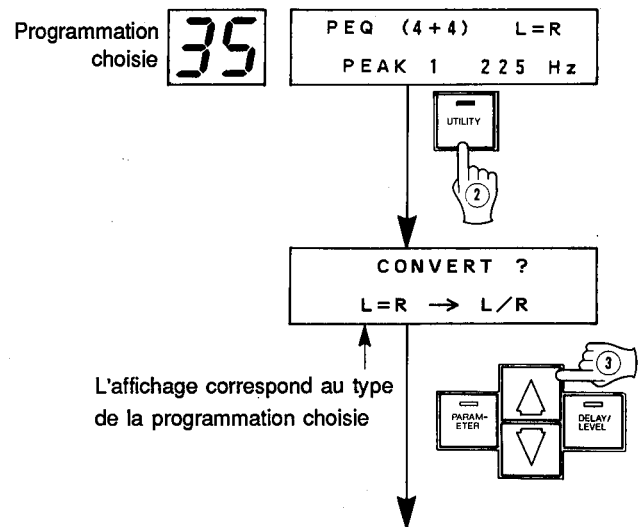
- ① Appuyer sur la touche UTILITY jusqu'à ce que la fonction "DELAY DISPLAY" apparaisse.
- ② Utiliser les touches de modification des paramètres Δ et ∇ pour sélectionner l'option de l'affichage SECOND, METER, ou FEET. Maintenir la touche UTILITY enfoncée jusqu'à la sortie du mode UTILITY.



CONVERSION G=D EN G/D (CONVERT L=R → L/R)

Cette fonction convertit les programmations G=D (programmations 1, 4, 7, 13, 16, 18 et 21), mémorisées dans la mémoire RAM en leurs équivalants du type G/D, ce qui permet de programmer les canaux gauche et droit de manière indépendante. Elle peut aussi être utilisée pour convertir les programmations d'égalisation du canal gauche (9 et 11) en leur correspondant du canal droit et les programmations d'égalisation du canal droit (10 et 12) en leur correspondant du canal gauche.

- ① Sélectionner la programmation, mémorisée dans la zone RAM, à convertir.
- ② Appuyer à plusieurs reprises sur la touche UTILITY jusqu'à ce que la fonction "CONVERT" apparaisse.
- ③ Appuyer sur la touche de conversion de programmation Δ pour effectuer la conversion. Maintenir la touche UTILITY enfoncée jusqu'à la sortie du mode UTILITY.



* Si une programmation qui n'est PAS du type G=D, canal gauche, ou canal droit, est sélectionnée, la fonction CONVERT est alors ignorée.

* Si la fonction CONVERT est exécutée pendant qu'une programmation entre 31 et 90 est sélectionnée, cette fonction sera annulée.

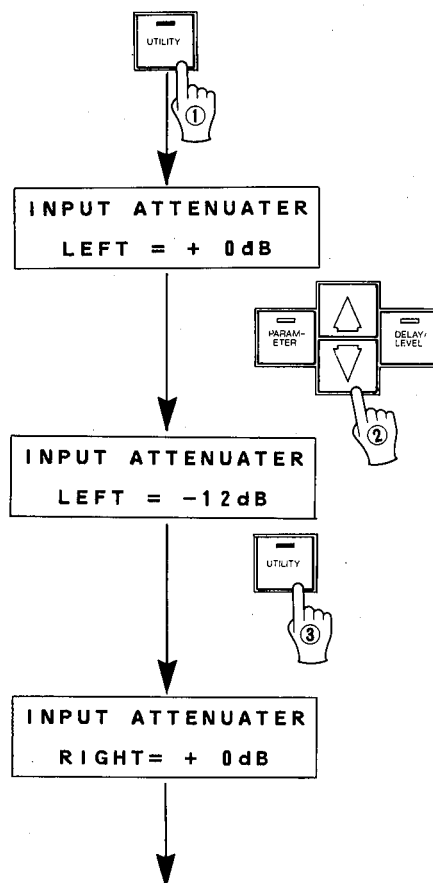
* Lorsqu'une programmation est convertie par cette fonction, la programmation originale est effacée. Si l'on souhaite conserver cette programmation originale, effectuer une autre copie dans un emplacement de la mémoire RAM par la fonction STORE.

* Lorsque les programmations sont converties, les titres entrés par l'utilisateur sont effacés et remplacés par les titres prééglés appropriés. Si l'on souhaite redonner un nouveau titre, utiliser la fonction TITLE EDIT.

REGLAGE DE L'ATTENUATEUR D'ENTREE (INPUT ATTENUATER ADJUSTMENT)

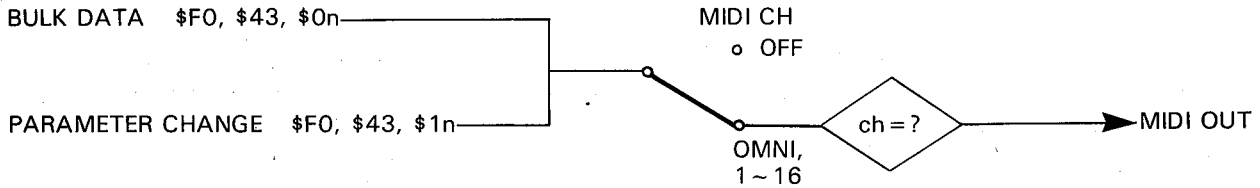
Cette fonction permet d'ajuster de manière indépendante l'atténuation d'entrée (la sensibilité) des canaux gauche et droit, par la borne DIGITAL IN du DEQ7. Il est primordial de régler correctement ces paramètres pour éviter tout "saut" et pour éviter qu'un bruit numérique n'apparaisse avec les signaux d'entrée numériques de haut niveau. La plage de INPUT ATTENUATER varie de 0 à 60dB.

- ① Appuyer sur la touche UTILITY jusqu'à ce que la fonction "INPUT ATTENUATER LEFT" (ATTENUATEUR D'ENTREE GAUCHE) apparaisse.
- ② Utiliser les touches de modification des paramètres Δ et ∇ pour sélectionner l'atténuation du canal gauche.
- ③ Appuyer de nouveau sur la touche UTILITY jusqu'à ce que la fonction "INPUT ATTENUATER RIGHT" (ATTENUATEUR D'ENTREE DROIT) apparaisse.
- ④ Utiliser les touches de montage des paramètres Δ et ∇ pour sélectionner l'atténuation du canal droit. Maintenir la touche UTILITY enfoncée jusqu'à la sortie du mode UTILITY.



FORMAT DES DONNEES MIDI

1. Conditions de transmission



2. Données de transmission

2-1 Information du système

1) Message de système exclusif

① DONNEES EN BLOC DE LA MEMOIRE (MEMORY BULK DATA)

Les données sont transmises lorsqu'un emplacement de mémoire est choisi, ou lorsqu'une demande de vidage en bloc est reçue d'un appareil externe. Les données transmises sont celles contenues dans la mémoire appelée.

STATUS	11110000 (F0H)	
ID NO.	01000011 (43H)	
SUB-STATUS	0000nnnn (0nH)	n=0 (canal n°1) -15 (canal n°16)
FORMAT NO.	01111110 (7EH)	
BYTE COUNT	00000001 (01H)	
BYTE COUNT	01011010 (07H)	
HEADER	01001100 (4CH)	"L"
	01001101 (4DH)	"M"
	00100000 (20H)	espacement
	00100000 (20H)	espacement
	00111000 (38H)	"8"
	00110011 (33H)	"3"
	00110100 (35H)	"5"
	00110110 (36H)	"6"
DATA NAME	01001101 (4DH)	"M"
MEMORY NO.	0mmmmmmm	m=1 (mémoire n°1) -90 (mémoire n°90)
DATA	0ddddddd	125 octets
	0ddddddd	
CHECKSUM	0eeeeeee	
EOX	11110111 (F7H)	

② DONNEES EN BLOC DU TABLEAU D'ASSIGNATION DE CHANGEMENT DE PROGRAMMATION D'UNE BANQUE (1 BANK PROGRAM CHANGE ASSIGNMENT TABLE BULK DATA)

Les données sont transmises lorsque la fonction MIDI BULK DUMP BANK TRANSMIT est exécutée, ou lorsqu'une demande de vidage en bloc est reçue, pendant que l'affichage MIDI BULK DUMP BANK est actif. Les données transmises sont celles du tableau d'assignation de changement de programme (c'est-à-dire, l'assignation des numéros de changement de programme MIDI en numéros de mémoire).

STATUS	11110000 (F0H)	
ID NO.	01000011 (43H)	
SUB-STATUS	0000nnnn (0nH)	n=0 (canal n°1) -15 (canal n°16)
FORMAT NO.	01111110 (7EH)	
BYTE COUNT	00000001 (01H)	
BYTE COUNT	00001010 (0AH)	
HEADER	01001100 (4CH)	"L"
	01001101 (4DH)	"M"
	00100000 (20H)	espacement
	00100000 (20H)	espacement
	00111000 (38H)	"8"
	00110011 (33H)	"3"
	00110100 (35H)	"6"
	00110110 (36H)	"6"
DATA NAME	01010100 (54H)	"T"
BANK NO.	0bbbbbbb	b=banque 1 à 4 (1=A, 2=B, 3=C, 4=D)
DATA	0ddddddd	128 octets
	0ddddddd	
CHECKSUM	0eeeeeee	
EOX	11110111 (F7H)	

③ 60 MEMOIRES ET DONNEES EN BLOC DE TOUTES LES BANQUES (60 MEMORY & ALL BANKS BULK DATA)

Les données sont transmises lorsque la fonction MIDI BULK DUMP MEMORY TRANSMIT est activée. Le contenu des mémoires de 1 à 60 et le contenu des tableaux d'assignation de changement de programme des quatre banques sont transmis.

STATUS 11110000 (F0H) — Données de la mémoire n°31
 EOX 11110111 (F7H)

STATUS 11110000 (F0H) — Données de la mémoire n°90
 EOX 11110111 (F7H)

STATUS 11110000 (F0H) — Données de la banque A
 EOX 11110111 (F7H)

STATUS 11110000 (F0H) — Données de la banque D
 EOX 11110111 (F7H)

Un vidage en bloc de la mémoire (MEMORY BULK DUMP) est effectué 60 fois, tandis qu'un vidage en bloc de tableau d'assignation de changement de programme de banque (BANK PROGRAM CHANGE ASSIGNMENT TABLE BULK DUMP) est effectué 4 fois.

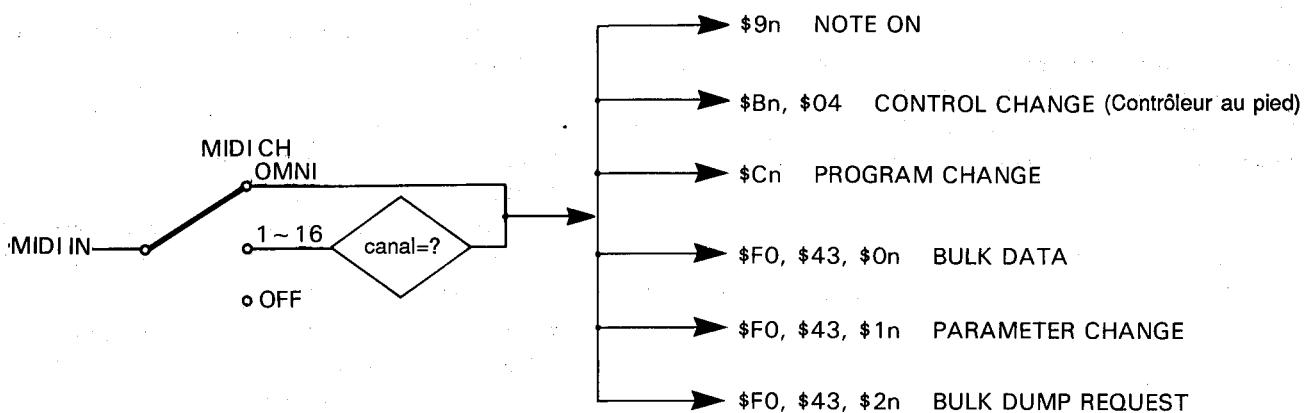
④ CHANGEMENT DE PARAMETRE (PARAMETER CHANGE)

Le message est transmis lorsque la valeur d'un paramètre est modifiée.

STATUS 11110000 (F0H)
 IN NO. 01000011 (43H)
 SUB-STATUS 0001nnnn (1nH) n=0 (canal n°1)
 -15 (canal n°16)
 PARM. GROUP 00010011 (1CH)
 PARM NO. 0ppppppp voir le tableau ci-dessous
 DATA 0000dddd voir le tableau ci-dessous
 0000dddd
 EOX 11110111 (F7H)

PARAMETER	ppppppp	pppp pppp
L DELAY	0	0-255
R DELAY	1	0-255
L OUT LEVEL	2	0-100
R OUT LEVEL	3	0-100
PARAMETER 1	4	—
:	:	
:	:	
PARAMETER 42	45	

3. Conditions de réception



4. Données de réception

4-1 Information de canal

① NUMERO DE NOTE (NOTE NO.)

Affecte uniquement les programmes 25 et 28. Lorsque le paramètre de contrôle de ces programmations est réglé sur NOTE #, la fréquence du filtre est déterminée par le numéro de note reçu.

STATUS	1001nnnn (9nH)	n=0 (canal n°1) -15 (canal n°16)
NOTE NO.	0kkkkkkk	k=0 (C-2) - 127(G8)
VELOCITY	0vvvvvvv	v=0-127

③ CHANGEMENT DE PROGRAMME (PROGRAM CHANGE)

Lorsqu'il est reçu, le numéro de la mémoire est rappelé et assigné au numéro de changement de programme reçu, conformément à la table d'assignation de changement de programme de la banque sélectionnée.

STATUS	1100nnnn (CnH)	n=0 (canal n°1) 15 (canal n°16)
PROGRAM NO.	0ccccccc	c=0-127

② CHANGEMENT DE CONTROLE (CONTROL CHANGE)

Les messages de changement de contrôle ne peuvent être reçus que lorsque la programmation 25 ou 28 est active. Lorsque le paramètre CONTROL est réglé sur "MIDI Ft", la réception est alors possible. Le message de CONTROL CHANGE est reçu sur MIDI FOOT CONTROL.

STATUS	1011nnnn (BnH)	n=0 (canal n°1) 15 (canal n°16)
CONTROL NO.	00000100 (04H)	Contrôle au pied
VALUE	0vvvvvvv	v=0-127

4-2 INFORMATION DU SYSTEME

1) MESSAGE EXCLUSIF DU SYSTEME

① DONNEES EN BLOC DE LA MEMOIRE (MEMORY BULK DATA)

Les données reçues sont identiques aux données transmises dans "DONNEES EN BLOC DE LA MEMOIRE", décrites au chapitre "Données de transmission". Seules les programmations de 31 à 90 peuvent être reçues.

② DONNEES EN BLOC DU TABLEAU D'ASSIGNATION DE CHANGEMENT DE PROGRAMMATION D'UNE BANQUE (1 BANK PROGRAM CHANGE ASSIGNMENT TABLE BULK DATA)

Les données reçues sont identiques aux données transmises dans "DONNEES EN BLOC DU TABLEAU D'ASSIGNATION DE CHANGEMENT DE PROGRAMMATION D'UNE BANQUE", décrites au chapitre "Données de transmission".

③ 60 MEMOIRES ET DONNEES EN BLOC DE TOUTES LES BANQUES (60 MEMORY & ALL BANKS BULK DATA)

Les données reçues sont identiques aux données transmises dans "60 MEMOIRES ET DONNEES EN BLOC DE TOUTES LES BANQUES", décrites au chapitre "Données de transmission".

④ CHANGEMENT DE PARAMETRE (PARAMETER CHANGE)

Les données reçues sont identiques aux données transmises dans "CHANGEMENT DE PARAMETRE" décrites au chapitre "Données de transmission". Lorsqu'ils sont reçus, les paramètres spécifiés dans le programme sélectionné sont modifiés.

⑤ DEMANDE DE VIDAGE EN BLOC DE LA MEMOIRE (1 MEMORY BULK DUMP REQUEST)

Lorsqu'il est reçu, le vidage en bloc des données, contenues dans l'emplacement de mémoire spécifié, est exécuté.

STATUS	11110000 (F0H)	
ID NO.	01000011 (43H)	
SUB-STATUS	0010nnnn (2nH)	n=0 (canal n°1) 15 (canal n°16)
FORMAT NO.	01111110 (7EH)	
HEADER	01001100 (4CH)	"L"
	01001101 (4DH)	"M"
	00100000 (20H)	espacement
	00100000 (20H)	espacement
	00111000 (38H)	"8"
	00110011 (33H)	"3"
	00110100 (35H)	"5"
	00110110 (36H)	"6"
DATA NAME	01001101 (4DH)	"M"
MEMORY NO.	0mmmmmm	m=1 (mémoire n°1) -90 (mémoire n°90)
EOX	11110111 (F7H)	

⑥ DEMANDE DE VIDAGE EN BLOC DU TABLEAU D'ASSIGNATION DE CHANGEMENT DE PROGRAMMATION D'UNE BANQUE (1 BANK PROGRAM CHANGE ASSIGNMENT TABLE BULK DUMP REQUEST)

Lorsqu'il est reçu, le vidage en bloc des données, contenues dans le tableau d'assignation de changement de programme spécifié, est exécuté.

STATUS	11110000 (F0H)	
ID NO.	01000011 (43H)	
SUB-STATUS	0010nnnn (2nH)	n=0 (canal n°1) 15 (canal n°16)
FORMAT NO.	01111110 (7EH)	
HEADER	01001100 (4CH)	"L"
	01001101 (4DH)	"M"
	00100000 (20H)	espacement
	00100000 (20H)	espacement
	00111000 (38H)	"8"
	00110011 (33H)	"3"
	00110100 (35H)	"5"
	00110110 (36H)	"6"
DATA NAME	01010100 (54H)	"T"
BANK NO.	0bbbbbbb	b=1 (banque A) -4 (banque D)
EOX	11110111 (F7H)	

SPECIFICATIONS

CARACTERISTIQUES ELECTRIQUES

Réponse de fréquence	20Hz à 20kHz
Plage dynamique	86dB
Distorsion harmonique	0,03% max. à 1kHz

ENTREE

Nombre de canaux	Equilibré x 2 (type XLR)
Niveau nominal	+4dBm/-20dBm
Impédance	10 kohms
Réglage de niveau	Rotatif, continu
Surveillance du niveau	DEL à huit segments

NUMERIQUE

Nombre de canaux	x 2
Fréquence d'échantillonnage	44,1kHz
Quantification	16 bits
E/S numérique	Entrée numérique de format Yamaha x 1 Sortie numérique de format Yamaha x 1

SORTIE

Nombre de canaux	Equilibré x 2 (type XLR)
Niveau nominal	+4dBm/-20dBm
Impédance	600 ohms

MEMOIRE

Préréglées (ROM)	1 à 30
D'utilisateur (RAM)	31 à 90 (pile d'appoint)

CONTROLE MIDI

Sélection de mémoire (1 à 90) par numéro de changement de programme MIDI. Le message de contrôle au pied MIDI agit sur le balayage du filtre dans les programmes 9 et 10. Vidage en bloc et réception

PANNEAU AVANT

Touches	PARAMETER, DELAY/LEVEL, DATA INCREMENT, DATA DECREMENT, STORE, RECALL, MEMORY INCREMENT, MEMORY DECREMENT, UTILITY, PROTECT ON/OFF, BYPASS
Prises	FOOT CONTROL, BYPASS
Affichage	2 chiffres, DEL à 7 segments

PANNEAU ARRIERE

Prises d'entrée/sortie	INPUT L, INPUT R, OUTPUT L, OUTPUT R, DIGITAL IN, DIGITAL OUT
Sélecteurs de niveau	INPUT LEVEL (+4dB/20dB), OUTPUT LEVEL (+4dB/20dB)
Bornes MIDI	IN, OUT

DONNEES GENERALES

Alimentation	Etats-Unis et Canada: Secteur de 120V, 30W Modèle général: Secteur de 220 à 240V, 30W
Dimensions (L x H x P)	480 x 45,2 x 285mm (18 7/8 x 1 3/4 x 1 1/4 pouces)
Poids	3,7kg (8,2 livres)

* 0dB = 0,775V efficace

* Les spécifications et l'aspect de l'appareil sont modifiables sans préavis.

Deutsch

Digital-Equalizer

DEEQ7

Bedienungsanleitung

HERZLICHEN GLÜCKWUNSCH, SIE HABEN GUT GEWÄHLT!

Im Digital-Equalizer DEQ7 kommt die neueste Yamaha Digitaltechnologie zur Anwendung, um eine äußerst genaue und stabile Entzerrung über einen breiten Frequenzbereich zu gewährleisten. Das Gerät stellt nicht nur "grafische" und parametrische Entzerrung zur Wahl, sondern bietet auch umfassende Klangregelfunktionen, Bandpaß- und Bandsperfilter sowie eine ganze Reihe spezieller Dynamik-Entzerrungsprogramme (Dynamik-EQ-Programme). Jedes der dreißig festen EQ-Programme kann editiert und anschließend in einem der 60 RAM-Speicherplätze abgelegt werden, damit Sie es als Benutzerprogramm auf Tastendruck abrufen können. Und da der DEQ7 voll digitalisiert ist, liefert er natürlich einen präzisen, ungemein sauberen Klang. Aufgrund seiner Vielseitigkeit eignet sich der DEQ7 in idealer Weise für eine weite Reihe von Aufgaben im Profi-Studio wie z.B. Klangaufzeichnung, audiovisuelle Produktion, Radioprogramme oder bis zur Klangabmischung und -verstärkung. Lesen Sie sich bitte vor der Inbetriebnahme des DEQ7 die vorliegende Bedienungsanleitung gründlich durch, damit Sie das riesige Potential des DEQ7 voll ausschöpfen können.

INHALTSVERZEICHNIS

VORSICHTSMASSNAHMEN	41	6. GEQ 2/3 oct L/R N	65
BEDIENUNGSELEMENTE UND		7. GEQ 1/2 oct L=R	66
ANSCHLUSSBUCHSEN	42	8. GEQ 1/2 oct L/R	67
ALLGEMEINE BEDIENUNG	44	9. GEQ 1/3 oct Lch	68
SPEICHERBELEGUNG	44	10. GEQ 1/3 oct Rch	69
ABRUF EINES EQ-PROGRAMMS	44	11. GEQ 1/3 oct Lch N	70
EDITIEREN VON PARAMETERN	45	12. GEQ 1/3 oct Rch N	71
SPEICHERUNG EDITIERTER PROGRAMME		13. PEQ (4+4) L=R	72
IM BENUTZERSPEICHER	46	14. PEQ (4+4) L/R	73
EQUALIZER-ÜBERBRÜCKUNG	47	15. PEQ + SHELV. L/R N	74
SCHUTZFUNKTION	47	16. TONE CONTROL L=R	75
BETRIEBSFUNKTIONEN	48	17. TONE CONTROL L/R	76
EDITIEREN VON PROGRAMMTITELN	48	18. BAND PASS L=R	77
ZUWEISUNG VON MIDI-BANK		19. BAND PASS L/R	78
UND MIDI-KANAL	49	20. BAND PASS L/R N	79
MIDI-DATENBLOCKABWURF		21. BAND REJECT L=R	80
(MIDI-BANK UND SPEICHER)	51	22. BAND REJECT L/R	81
VERZÖGERUNGSANZEIGE	52	23. 4-PEQ, 6-NOTCH	82
UMWANDLUNG VON L=R AUF L/R	52	24. 6-NOTCH L/R	83
EINSTELLUNG DER		25. DYN. PEQ FC	84
EINGANGSSIGNALDÄMPFUNG	53	26. DYN. PEQ LEVEL	85
MIDI-DATENFORMAT	54	27. DYN. PEQ LFO	86
TECHNISCHE DATEN	58	28. DYN. FILTER FC	87
BESCHREIBUNG DER EQ-PROGRAMME	59	29. DYN. FILTER LEVEL	88
1. GEQ 1/1 oct L=R	60	30. DYN. FILTER LFO	89
2. GEQ 1/1 oct L/R	61	MIDI IMPLEMENTIERUNG	90
3. GEQ 1/1 oct L/R N	62	BLOCKDIAGRAMM	91
4. GEQ 2/3 oct L=R	63	ABMESSUNGEN	91
5. GEQ 2/3 oct L/R	64	PROGRAMMIERVORDRUCKE	92

VORSICHTSMASSNAHMEN

1. VOR DIREKTER SONNENEINSTRALUNG, HITZE, FEUCHTIGKEIT, STAUB UND VIBRATION SCHÜTZEN.

Das Gerät niemals an Orten aufstellen, wo es übermäßigem Staub, Feuchtigkeit oder hohen Temperaturen (z.B. in der Nähe von Heizkörpern oder Öfen) ausgesetzt ist. Ebenso Stellen vermeiden, an denen starke Vibrationen auftreten (Gefahr mechanischer Schäden am Gerät).

2. VOR STOSS SCHÜTZEN.

Starke Stöße können zu Schäden am Gerät führen. Daher das Gerät stets mit der gebotenen Umsicht behandeln.

3. KEINESFALLS DAS GERÄT ÖFFNEN ODER EIGENHÄNDIG REPARATUREN ODER VERÄNDERUNGEN VORNEHMEN.

Der DEQ7 enthält keine vom Laien zu wartende Teile. Sämtliche Wartungs- und Reparaturarbeiten nur von qualifizierten Yamaha-Kundendiensttechnikern ausführen lassen. Das Öffnen des Gehäuses oder Verändern der internen Schaltkreise führt zum Verlust der Garantie.

4. VOR DEM ANSCHLIESSEN ODER ABTRENNEN VON KABELN DAS GERÄT AUSSCHALTEN.

Das Gerät stets vor dem Anschließen oder Abtrennen von Kabeln ausschalten, um den DEQ7 selbst sowie die angeschlossenen Geräte vor möglichen Schäden durch plötzliche Schaltimpulse zu bewahren.

5. KABEL VORSICHTIG BEHANDELN.

Zum Anschließen und Abtrennen die Kabel — auch das Netzkabel — stets an den Steckern anfassen.

6. MIT EINEM WEICHEN UND TROCKENEN TUCH REINIGEN

Zur Reinigung des Geräts keinesfalls Benzin oder Verdünner, sondern ein weiches, trockenes Tuch verwenden.

7. STETS AUF KORREKTE NETZSPANNUNG ACHTEN.

Den DEQ7 nur mit der auf der Geräterückseite angegebenen Netzspannung betreiben.

USA- und Kanada-Modell: 120 V Wechselspannung, 60 Hz

Allgemeines Modell: 220 - 240 V Wechselspannung, 50/60 Hz

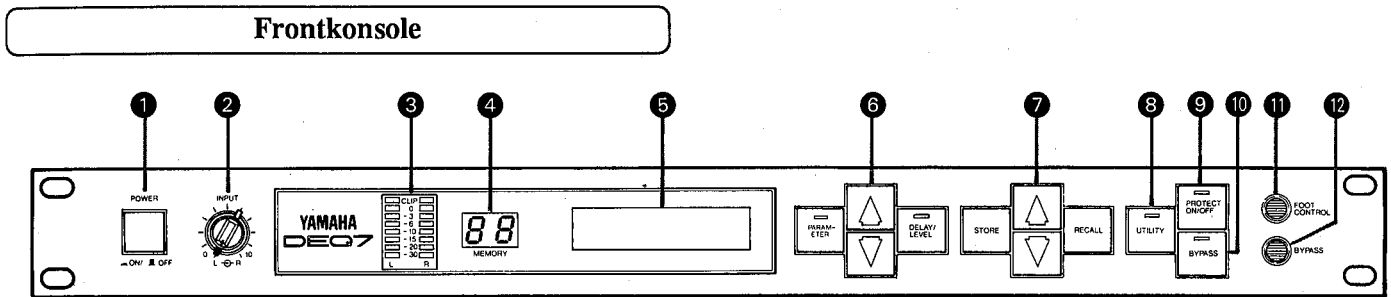
8. ELEKTRISCHE INTERFERENZ

Da der DEQ7 Digitalschaltkreise besitzt, kann er Fernseh- und Radiogeräte stören, falls er nicht mit ausreichender Entfernung zu diesen aufgestellt wird. Bei Interferenz den DEQ7 vom gestörten Gerät weiter weg plazieren.

9. SPEICHERBATTERIE

Der DEQ7 verfügt über eine Speicherbatterie zur Aufrechterhaltung der RAM-Speicherinhalte während dem Ausschaltzustand. Die Lebensdauer dieser Batterie beträgt ca. 5 Jahre. Sobald die Speicherbatterie schwach wird, erscheint auf dem LCD-Display die Warnmeldung ****WARNING** USER MEM. ERROR**. In diesem Fall die Speicherbatterie umgehend von einem qualifizierten Yamaha-Kundendiensttechniker austauschen lassen, damit die Speicherinhalte nicht verloren gehen. Niemals die Speicherbatterie eigenhändig austauschen.

BEDIENUNGSELEMENTE UND ANSCHLUSSBUCHSEN



1 Netztaaste POWER

2 Pegelregler L/R INPUT

Dieser konzentrische Doppelregler ermöglicht eine individuelle Einstellung der Eingangspegel auf beiden Kanälen. Der innere und äußere Regler sind über eine Reibungskupplung miteinander verbunden, so daß nach Einstellung der Eingangspegelbalance des linken und rechten Kanals der Gesamt-Eingangspiegel durch Drehen des mittleren Reglerstücks eingestellt werden kann.

3 Pegelanzeige und Begrenzungsanzeige CLIP

Die Kanalpegel werden jeweils durch separate 8-Segment-Leuchtdioden für einen Bereich von -30 dB bis 0 dB angezeigt. Die Begrenzungsanzeige CLIP leuchtet bei Signalpegeln über +18 dB auf, wenn der Pegelregler auf "7" und der Pegelwahlschalter auf +4 dB steht.

4 LED-Speichernummernanzeige (MEMORY)

Auf dieser zweistelligen numerischen Anzeige erscheint die Nummer des gerade gewählten Speicherplatzes (1 bis 90). Wenn der der Nummer zugeordnete Effekt aktiviert ist, leuchtet die Anzeige stetig. Ein Blinken der Anzeige weist darauf hin, daß ein neuer Speicherplatz zwar gewählt, aber noch nicht aufgerufen worden ist, wodurch die zuvor abgerufene Funktion noch wirkt.

5 LCD-Display

Auf dem LCD-Display (Flüssigkristallanzeige) werden die Parametereinstellungen und Daten des DEQ7 aufgeführt. Das Display besteht aus zwei Zeilen mit je 16 Zeichen. Aufgrund der Hintergrundbeleuchtung, kann das Display auch auf dunklen Bühnen problemlos abgelesen werden.

6 Parameter-Editiertasten

Die Gruppe von vier Tasten links auf der Frontkonsole (PARAMETER, Parameter-Erhöhungstaste und Parameter-Absenktaste und DELAY/LEVEL) dienen zur Wahl und Änderung der Parameter für das jeweils abgerufene Programm. Die PARAMETER und DELAY/LEVEL dienen zum Wählen der zu editierenden Parameter, während die Pfeiltasten Parameterwerte ändern. Durch gleichzeitiges Drücken der Taste PARAMETER und der entsprechenden Pfeiltaste ist ein kontinuierliches Erhöhen oder Senken des Parameterwerts möglich.

7 Tasten für Programmabruf und -speicherung

Die Gruppe von vier Tasten in der Mitte (STORE, Werterhöhungstaste und Wertabsenktaste, nach unten weisende Pfeiltaste und RECALL) dient zur Wahl und zum Aufruf aller vom Werk eingegebenen Programme (Nummer 1 bis 30) im ROM-Speicher oder der frei programmierbaren Benutzerprogramme im RAM-Speicher (Nummer 31 bis 90). Mit der Taste STORE lassen sich editierte Programme in beliebige RAM-Speicherplätze (31 bis 90) ablegen.

8 Betriebsfunktionstaste (UTILITY)

Mit der Taste UTILITY läßt sich auf eine Reihe nützlicher Betriebsfunktionen zugreifen, wie z.B. Editieren von Programmtiteln, Einstellung der Eingangsdämpfung, MIDI-Bank und -Kanalsteuerung, Zuordnung von MIDI-Programmwechselnummern und Speichernummern, MIDI-gesteuerter Gesamtdatenabwurf und Wahl des Anzeigeformats bei Verzögerungseffekt (Sekunden, Meter oder Feet).

9 Löschschutztaste (PROTECT ON/OFF)

Die Taste PROTECT ON/OFF dient zur "Verriegelung" der Einstellungen des DEQ7, damit die Speicher- und Programminhalte nicht unabsichtlich verändert werden. Zum Aktivieren der Schutzfunktion (PROTECT ON) die PROTECT-Taste zusammen mit der Parameter-Erhöhungstaste drücken. Zum Abschalten der Schutzfunktion (PROTECT OFF) die PROTECT-Taste und gleichzeitig die Parameter-Absenktaste drücken. Bei blinkender Speichernummernanzeige MEMORY kann die Schutzfunktion nicht aktiviert werden.

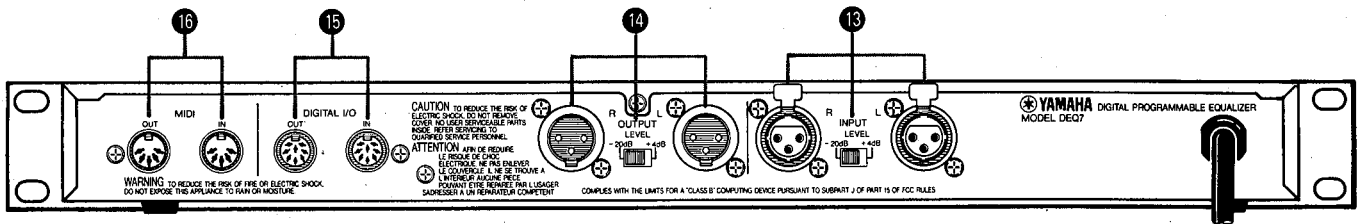
10 Überbrückungstaste (BYPASS)

Bei gedrückter BYPASS-Taste (zugehörige LED leuchtet) werden sämtliche Klangregelnetze und Programmeffekte überbrückt, wodurch an den Geräteausgängen das unveränderte Originalsignal anliegt. Durch erneutes Drücken der BYPASS-Taste (zugehörige LED erlischt) schaltet das Gerät wieder auf EQ-Betrieb.

11 Schwellerpedalbuchse FOOT CONTROL

Diese Buchse erlaubt den Anschluß eines als Sonderzubehör erhältlichen Schwellerpedals (Yamaha-FC7), um die Filterparameter von Dynamik-EQ-Programmen über ein Pedal zu steuern.

Rückseite des Geräts



12 Überbrückungsbuchse *BYPASS*

Diese Buchse ermöglicht den Anschluß eines getrennt erhältlichen Fußschalters (Yamaha-FC4 oder -FC5) werden, der dann die gleiche Funktion wie die Überbrückungstaste *BYPASS* erfüllt.

13 L/R INPUT-Buchsen und Pegelwahlschalter *LEVEL*

Bei den Eingängen des DEQ7 für rechten und linken Kanal handelt es sich um symmetrische XLR-Buchsen, die den Anschluß von Profigeräten erlauben und eine optimale Signalübertragung gewährleisten. Die Eingangskreise sind symmetrisch und haben eine Lastimpedanz von 10.000 Ohm.

Mit dem Pegelwahlschalter *LEVEL* kann zwischen einem Nenn-Eingangsspegel von -20 dB und +4 dB gewählt werden.

14 L/R OUTPUT-Buchsen und Pegelwahlschalter *LEVEL*

Die Ausgänge des DEQ7 für rechten und linken Kanal sind XLR-Buchsen (Steckerkontakte), an denen ein symmetrisches Signal anliegt.

Mit dem Pegelwahlschalter *LEVEL* läßt sich ein Nennausgangspegel von -20 dB oder +4 dB einstellen.

15 DIGITAL I/O IN- und OUT-Buchsen

Diese auf das Yamaha-Digitalformat ausgelegten Digitalein- und -ausgänge ermöglichen den Anschluß von kompatiblen Yamaha-Geräten für direkte Digitalsignalübertragung (z.B. Digital-Mischpult DMP7). Bei Verwendung des Digitaleingangs muß mit der Betriebsfunktion "INPUT ATTENUATER" der geeignete Eingangspegel gewählt werden.

16 Steckverbinder *MIDI IN- und OUT-Buchsen*

MIDI-Signale von externen MIDI-Geräten können dem DEQ7 über den Eingang *MIDI IN* zugeführt werden, um EQ-Programme und Dynamik-EQ-Programme über MIDI-Signale zu wählen und auszulösen. Über den Ausgang *MIDI OUT* lassen sich die internen RAM-Speicherinhalte auf einen MIDI-Datenrecorder kopieren (Datenabwurf), der die Möglichkeit zur Langzeitspeicherung von umfangreichen Datenmengen bietet. Auf diese Weise abgespeicherte Programmdateien können wieder über den Eingang *MIDI IN* eingelesen werden.

ALLGEMEINE BETDIENUNG

SPEICHERBELEGUNG

Der DEQ7 verfügt über insgesamt 90 interne Speicherplätze, wobei die Plätze von 1 bis 30 dem ROM-Bereich (Festwertspeicher) für die Aufnahme der werksprogrammierten EQ-Programme vorbehalten sind. Diese Speicherplätze können nicht überschrieben werden. Unter den Nummern 1 bis 30 sind folgende EQ-Programme abgespeichert:

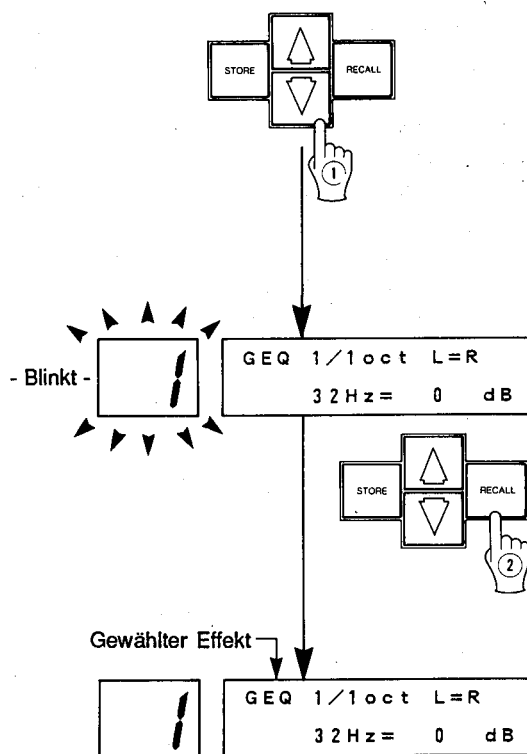
*Spe. Nr.	Programmname	*Spe. Nr.	Programmname
1.	GEQ 1/1 oct L=R	16.	TONE CONTROL L=R
2.	GEQ 1/1 oct L/R	17.	TONE CONTROL L/R
3.	GEQ 1/1 oct L/R N	18.	BAND PASS L=R
4.	GEQ 2/3 oct L=R	19.	BAND PASS L/R
5.	GEQ 2/3 oct L/R	20.	BAND PASS L/R N
6.	GEQ 2/3 oct L/R N	21.	BAND REJECT L=R
7.	GEQ 1/2 oct L=R	22.	BAND REJECT L/R
8.	GEQ 1/2 oct L/R	23.	4-PEQ, 6-NOTCH
9.	GEQ 1/3 oct Lch	24.	6-NOTCH L/R
10.	GEQ 1/3 oct Rch	25.	DYN. PEQ FC
11.	GEQ 1/3 oct Lch N	26.	DYN. PEQ LEVEL
12.	GEQ 1/3 oct Rch N	27.	DYN. PEQ LFO
13.	PEQ (4+4) L=R	28.	DYN. FILTER FC
14.	PEQ (4+4) L/R	29.	DYN. FILTER LEVEL
15.	PEQ + SHELV. L/R N	30.	DYN. FILTER LFO

* Speicherplatz, Nr.

Im Abschnitt "BESCHREIBUNG DER EQ-PROGRAMME" auf Seite 59 sind alle Effektprogramme und ihre Parameter vollständig beschrieben. Die Speicherplätze 31 bis 90 sind dem RAM-Bereich (Schreib-Lese-Speicher mit direktem Zugriff) zugewiesen und dienen zur Abspeicherung der vom Benutzer editierten Versionen der voreingestellten Programme.

WAHL EINES EQ-PROGRAMMS

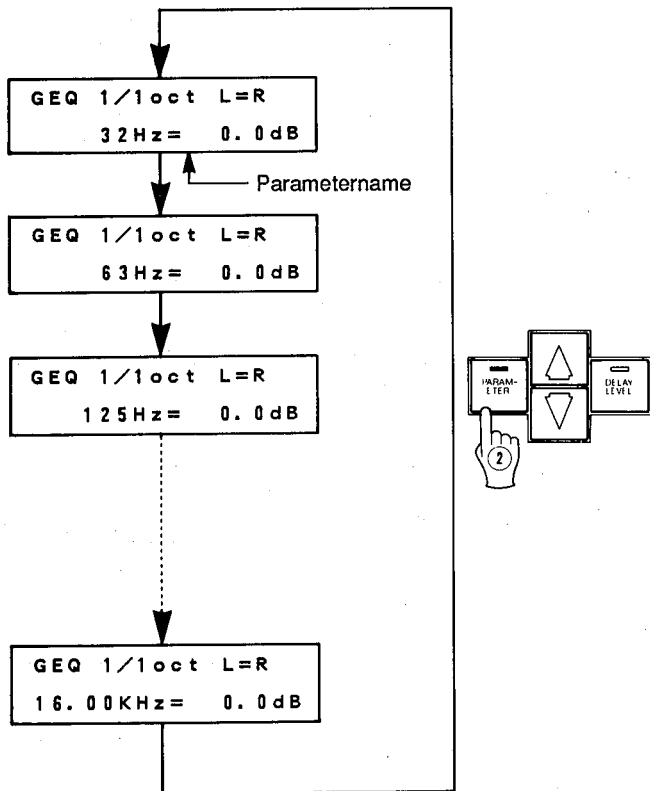
- Zur Programmwahl die Pfeiltaste Δ oder ∇ zum Erhöhen oder Vermindern der auf der LED-Anzeige aufgeführten Speicherplatznummer drücken. Durch stetiges Drücken dieser Tasten wird die Speichernummer kontinuierlich verändert. Beim Loslassen der Taste erscheint der zur Nummer gehörende Programmname auf dem LCD-Display, oder es erscheint die Meldung "**** NO DATA ****", falls eine Nummer zwischen 31 und 90 gewählt worden ist, unter der kein editiertes EQ-Programm abgelegt ist. Während diesem Vorgang blinkt die LED-Anzeige und weist dadurch darauf hin, daß der neue Speicherplatz zwar schon gewählt, jedoch noch nicht abgerufen worden ist.
- Nachdem das gewünschte Programm gewählt ist, die Taste RECALL drücken. Die Nummer auf der LED-Anzeige leuchtet nun kontinuierlich und der Abruf des gewählten Programms ist damit abgeschlossen.



EDITIEREN VON PARAMETERN

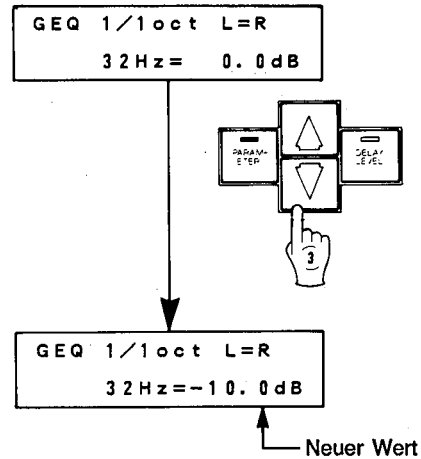
Jedes der festprogrammierten EQ-Programme des DEQ7 verfügt über eine Reihe von internen Parametern, die sich editieren lassen, um die Kompensation anzupassen oder andere Effekte zu erzeugen. Im Abschnitt "BESCHREIBUNG DER EQ-PROGRAMME" auf Seite 59 sind alle Effektprogramme, und ihre Parameter vollständig beschrieben. Die Taste PARAMETER dient zum Zugriff auf die spezifischen Parameter jedes einzelnen Programms, und mit der Taste DELAY/LEVEL lassen sich die Verzögerungs- und Pegelparameter abrufen, die bei allen Programmen gleich sind. Im folgenden wird am Beispiel von Programm 1 (GEQ 1/1 oct L=R) erklärt, wie die Parameter aufzurufen und zu editieren sind:

- ① Den zu editierenden Effekt wählen und abrufen.
- ② Sobald das Programm abgerufen ist, erscheint der erste gewählte Effektparameter auf der unteren Zeile des LCD-Displays. Mit jedem Antippen PARAMETER-Taste wird der nächste Parameter der "Parameterliste" des gewählten Effekts abgerufen. Bei "GEQ 1/1 oct L=R" z.B. erscheinen nacheinander folgende Parameter:

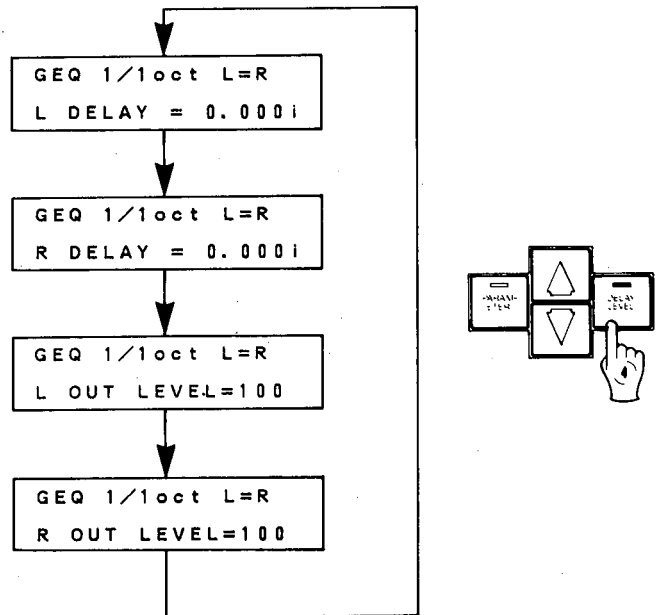


Nach Aufruf des letzten Parameters der Liste (in diesem Fall 16,00 kHz) springt das Gerät bei erneutem Drücken der PARAMETER-Taste auf den Anfangsparameter zurück.

- ③ Nachdem der gewünschte Parameter abgerufen ist, kann sein zugeordneter Wert mit Hilfe der Pfeiltasten Δ und ∇ verändert werden. Die Δ -Taste erhöht den Wert, während die ∇ -Taste ihn vermindert. Durch Gedrückthalten der Tasten läßt sich eine kontinuierliche Erhöhung oder Verminderung auslösen. Bei Programm 1 (GEQ 1/1 oct L=R) wird jeder Parameterwert zwischen -18 dB und +18 dB angehoben oder gedämpft.



- ④ Gegebenenfalls mit der Taste DELAY/LEVEL die Verzögerungs- und Pegelparameter abrufen. Die Werte dieser Parameter werden mit den Pfeiltasten Δ und ∇ in der oben beschriebenen Weise editiert. Bei jedem Drücken der Taste DELAY/LEVEL werden nacheinander folgende Parameter aufgerufen:



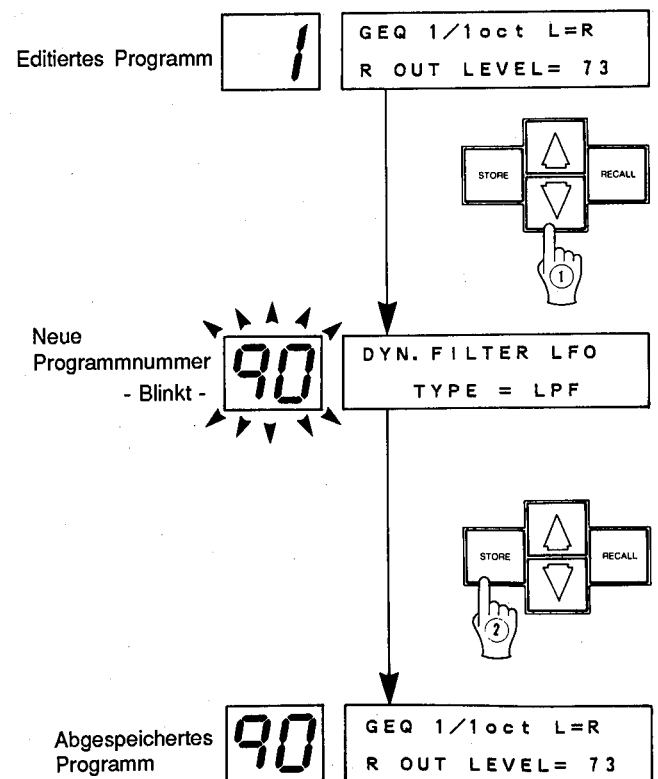
Auf diese Weise kann man die Parameterliste durchgehen und beliebig viele Parameter ändern, um die erforderliche Entzerrungskurve zu kreieren. Wenn jedoch ein neuer Effekt gewählt und abgerufen wird, ohne zuvor die editierten Parameter in einem Speicherplatz zwischen 31 und 90 abgelegt zu haben, gehen sämtliche Programmänderungen verloren und müssen erneut vorgenommen werden. Wenn editierte Effekte fixiert werden sollen, ist gemäß dem nachfolgend beschriebenen Verfahren zur Speicherung von Programmen vorzugehen.

* Es ist möglich, die Parameter durch gleichzeitiges Drücken der Taste PARAMETER und der Pfeiltasten Δ bzw. ∇ kontinuierlich zu erhöhen bzw. zu ändern.

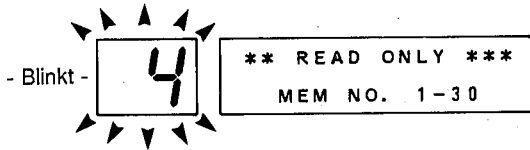
SPEICHERUNG EDITIERTER PROGRAMME IM BENUTZERSPEICHER

Um ein editiertes Programm zum späteren Abruf zu speichern, ist folgendermaßen vorzugehen:

- ① Nach der Programmeditierung mit den Pfeiltasten Δ und ∇ einen Speicherplatz zwischen 31 und 90 wählen, aber keinesfalls den gewählten Speicherplatz aufrufen. Sind in diesem Speicherplatz keine Daten abgelegt, erscheint auf dem LCD-Display die Meldung "**** NO DATA ****". Wenn schon unter dieser Nummer ein Programm abgelegt ist, erscheint der zugehörige Name auf der LCD-Anzeige.
- ② Die STORE-Taste drücken, um das editierte Programm in den gewählten Speicherplatz abzulegen. Auf der LCD-Anzeige erscheint der entsprechende Programmname (kann in der Betriebsart UTILITY mit der Titleditierfunktion nach Wunsch abgeändert werden). Sobald die LED-Speichernummeranzeige nicht mehr blinkt, ist das Programm gespeichert.



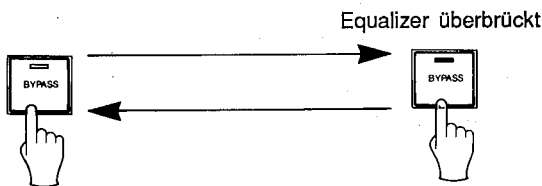
HINWEIS: Es ist NICHT MÖGLICH, editierte Daten in den Speicherplätzen 1 bis 30 abzulegen. Bei einem Versuch taucht auf dem LCD-Display die Meldung "*** READ ONLY *** MEM NO. 1-30".



HINWEIS: Nach dem Ablegen eines Programms in einem Speicherplatz zwischen 31 und 90, können die Parameter weiter verändert werden. Diese Änderungen gehen jedoch verloren, wenn ohne vorherige Abspeicherung ein anderer Effekt gewählt und aufgerufen wird. Eventuelle Änderungen lassen sich einfach durch Drücken der Taste STORE unter der aktuellen Nummer (31 bis 90) abspeichern.

EQUALIZER-ÜBERBRÜCKUNG

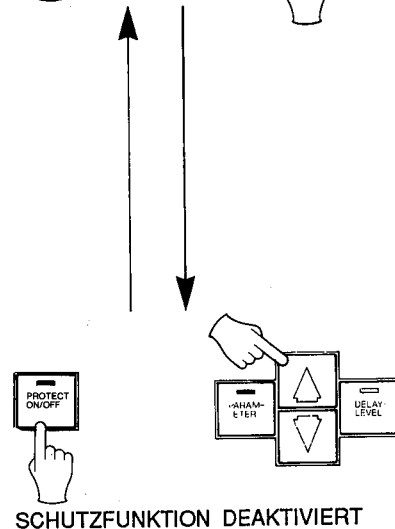
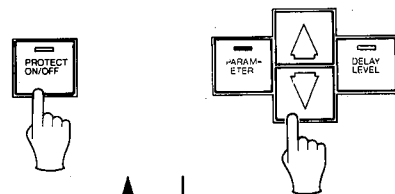
Zum Ein- und Ausschalten eines aktivierten EQ-Programms gibt es folgende zwei Möglichkeiten: 1) Drücken der BYPASS-Taste auf der Frontkonsole und 2) Betätigen eines mit der Buchse BYPASS verbundenen Fußschalters. Für die zweite Möglichkeit können die als Sonderzubehör erhältlichen Fußschalter FC4 oder FC5 von Yamaha eingesetzt werden. In beiden Fällen (Drücken der BYPASS-Taste oder Betätigen des Fußschalters) leuchtet die LED-Anzeige in der Taste BYPASS auf. Solange sie leuchtet, wirkt das EQ-Programm des DEQ7 nicht und das Eingangssignal wird den Ausgängen direkt zugeführt (KEIN Effekt). Um das EQ-Programm wieder zu aktivieren, die BYPASS-Taste oder den Fußschalter erneut betätigen.



SCHUTZFUNKTION

Bei der Tonaufzeichnung bei eingeschaltetem DEQ7 wäre es äußerst ärgerlich, wenn durch irgendeinen Zufall die Bedienungselemente verstellt und so die EQ-Programmeinstellung verändert werden würde. Um derartige Probleme zu vermeiden, verfügt der DEQ7 über eine Schutzfunktion. Zur Aktivierung dieser Funktion ist Taste PROTECT ON/OFF gedrücktzuhalten und gleichzeitig die Parameter-Erhöchstaste anzutippen. Bei aktivierter Schutzfunktion leuchtet die LED in der Taste PROTECT ON/OFF. Jetzt sind alle Bedienungselemente des DEQ7 "verriegelt" und bei Betätigung völlig wirkungslos. Zum Abschalten der Schutzfunktion die Taste PROTECT ON/OFF gedrückt halten und gleichzeitig die Parameter-Abenkstaste drücken. Bei aktivierter Schutzfunktion bleiben außer DUMP REQUEST sämtliche anderen MIDI-Meldungen unberücksichtigt.

SCHUTZFUNKTION AKTIVIERT



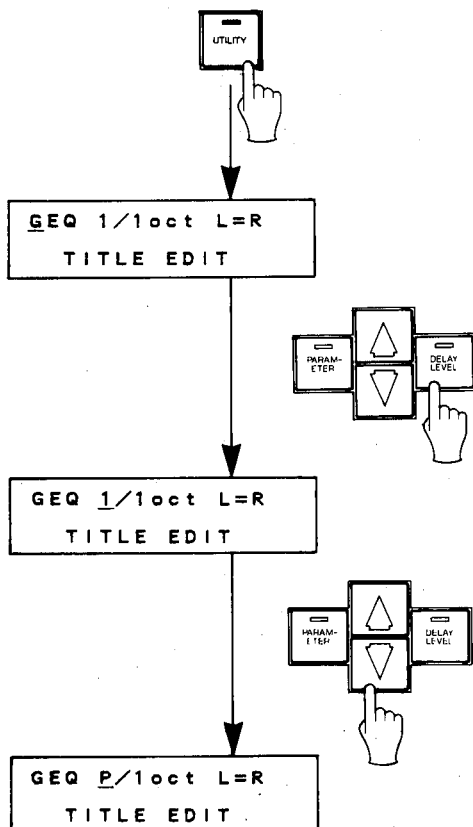
BETRIEBSFUNKTIONEN

Die UTILITY Taste des DEQ7 gewährt Zugriff auf eine Reihe von wichtigen Betriebsfunktionen. Mit jedem Antippen der UTILITY-Taste wird die nächste Funktion in der UTILITY-Funktionsliste aufgerufen, bis die Betriebsart UTILITY verlassen wird.

INPUT ATTENUATER (Lch) → INPUT ATTENUATER (Rch) → CONVERT → DELAY DISPLAY → TITLE EDIT → MIDI CONTROL (ch) → MIDI CONTROL (BANK) → MIDI PGM CHANGE → MIDI BULK DUMP (BANK) → MIDI BULK DUMP (MEORY) → Verlassen der Betriebsart UTILITY

EDITIEREN VON PROGRAMMTITELN

Diese Funktion ermöglicht die Kreierung passender Titel für selbst editierte und in den Speicherplätzen 31 bis 90 abgelegte Programme. Die Taste UTILITY einige Male drücken, bis die Meldung "TITLE EDIT" in der unteren Zeile der LCD-Anzeige erscheint. Ein Cursor markiert die Position des ersten Zeichens in der oberen Zeile. Mit den Tasten PARAMETER und DELAY/LEVEL läßt sich der Cursor vor- und zurückbewegen, während die Pfeiltasten Δ und ∇ zur Wahl eines Zeichens für die vom Cursor markierte Stelle dienen. Einfach den Cursor nacheinander auf jede Zeichenposition setzen und dann das jeweils gewünschte Zeichen aus dem Zeichensatz auswählen. Nachdem der Programmtitel vollständig ist, die Taste UTILITY gedrückt halten, bis das Gerät von der Betriebsart UTILITY umschaltet.



* Da sich der Inhalt der voreingestellten Programme nicht ändern läßt, erscheint in diesem Fall bei einer versuchten Programmtitelditierung folgende Meldung auf der LCD-Anzeige:

RAM (31-90) ONLY
TITLE EDIT

Der DEQ7 verfügt über folgenden Zeichensatz:

「	」	“	”	—	ア	イ	ウ	エ	オ	カ	キ	ク						
ケ	コ	サ	シ	ス	セ	ソ	タ	チ	ツ	テ	ト	ナ	ニ	ヌ	ネ	ノ		
ハ	ヒ	フ	ヘ	ホ	マ	ミ	ム	メ	モ	ヤ	ユ	ヨ	ラ	リ				
ル	レ	ロ	ワ	ヅ	ン	#	0	1	2	3	4	5	6	7	8	9		
	A	B	C	D	E	F	G	H	I	J	K	L	M	N	O	P	Q	
	R	S	T	U	V	W	X	Y	Z	a	ä	b	c	d	e	f	g	
	h	i	j	k	l	m	n	o	ö	p	q	r	s	t	u	ü	v	w
	x	y	z			<	>	:	.	*	+	-	=	&	/	.	.	
	%	!	?	→	←													

* Durch Drücken der Speichertaste STORE lassen sich auch Leerstellen eingeben.

ZUWEISUNG VON MIDI-BANK UND MIDI-KANAL

Der DEQ7 ermöglicht die Wahl von Programmen über ein externes MIDI-Steuergerät, indem er eine MIDI-Programmwechselnummer empfängt und daraufhin das Programm wählt, das dieser Nummer mit Hilfe der MIDI-Programmwechselfunktion (siehe unten) zugewiesen worden ist. Vier völlig voneinander unabhängige Sätze von Zuweisungen von MIDI-Programmwechselnummern zu Speicherplatznummern sind programmierbar, die jeweils in einer eigenen "Speicherbank" (A, B, C oder D) abgelegt werden. Vor der Programmierung der Zuweisungen ist es jedoch zunächst erforderlich, den MIDI-Sende/Empfangskanal mit Hilfe der Funktion "MIDI CONTROL ch=" entsprechend zu setzen. Am folgenden Beispiel wird erläutert, wie der MIDI-Kanal eingestellt wird und die vier Banken mit verschiedenen Programmnummer/Speicherplatznummer-Zuweisungen belegt werden können:

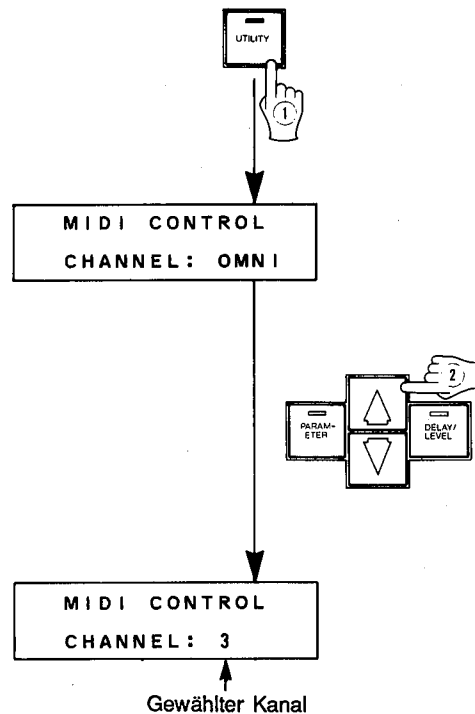
BANK: A	BANK: B
PGM 1 = MEM 1	PGM 1 = MEM 6
PGM 2 = MEM 4	PGM 2 = MEM 7
PGM 3 = MEM 8	PGM 3 = MEM 16
⋮	⋮
PGM128 = MEM 40	PGM128 = MEM 1

↑
↑
 Programmnummer Speicherplatznummer im DEQ7
 (Stimmennr.)

BANK: C	BANK: D
PGM 1 = MEM 90	PGM 1 = MEM 1
PGM 2 = MEM 89	PGM 2 = MEM 2
PGM 3 = MEM 88	PGM 3 = MEM 3
⋮	⋮
PGM128 = MEM 40	PGM128 = MEM 38

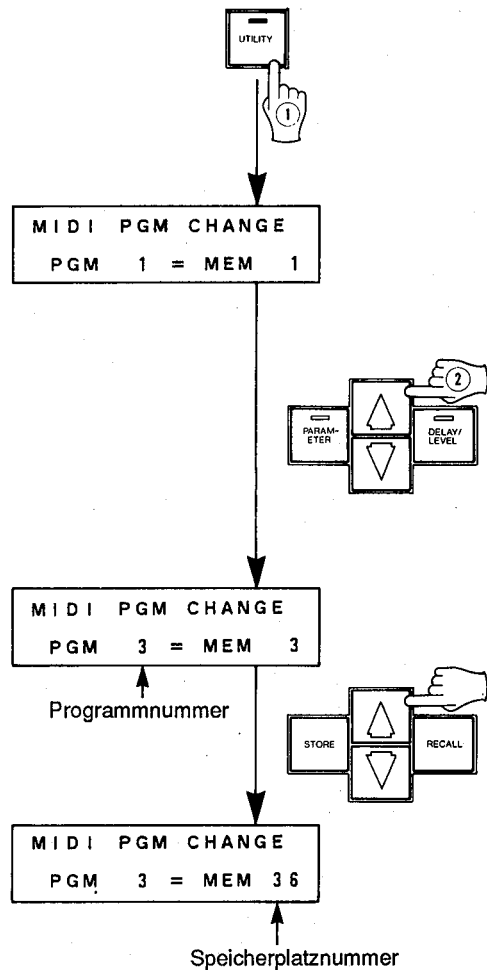
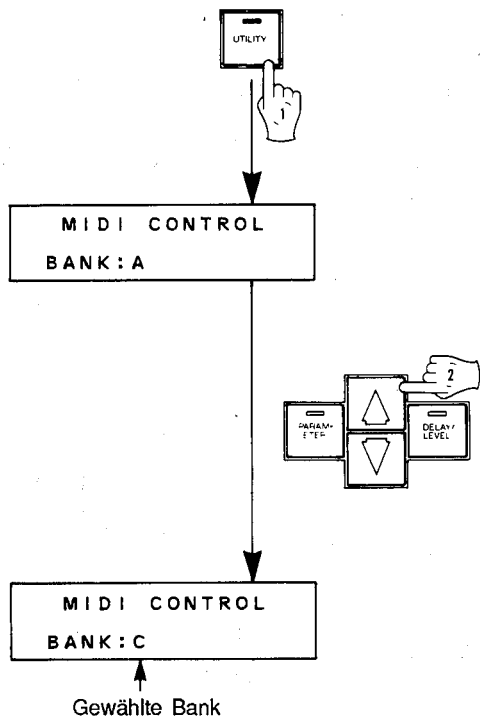
1 Wahl des MIDI-Kanals

- ① Die Taste UTILITY drücken, bis die Funktionsmeldung "MIDI CONTROL ch=" auf dem LCD-Display erscheint.
- ② Mit den beiden Pfeiltasten für Parametereditierung Δ und ∇ einen der sechzehn MIDI-Kanäle (1 bis 16) einstellen oder die OMNI-Funktion zum Empfang auf allen Kanälen aktivieren oder den MIDI-Empfang ausschalten.



2 Wahl der MIDI-Bank

- ① Die Taste UTILITY drücken, bis die Funktionsmeldung "MIDI CONTROL BANK" auf LCD-Display auftaucht.
- ② Mit den beiden Pfeiltasten für Parametereditierung Δ und ∇ die MIDI-Bank wählen.



3 Zuordnung von EQ-Programmen zu MIDI-Programmwechselnummern

- ① Die Taste UTILITY drücken, bis die Funktionsmeldung "MIDI PGM CHANGE" auf dem LCD-Display erscheint.
- ② Mit den beiden Pfeiltasten für Parametereditierung Δ und ∇ die Programmwechselnummer wählen, der eine neue Speicherplatznummer im DEQ7 zugewiesen werden soll. Es stehen die Programmwechselnummern 1 bis 128 zur Verfügung.
- ③ Mit den beiden Pfeiltasten Δ und ∇ die Speicherplatznummer mit dem Effektprogramm wählen, das der gegenwärtigen Programmwechselnummer zugeordnet werden soll.
- ④ Die Schritte ② und ③ wiederholen, bis alle gewünschten Programmwechselnummern programmiert sind. Die Taste UTILITY bis zum Verlassen der Betriebsart UTILITY drücken.

HINWEIS: Die Zuweisungen von Programmnummer und Speicherplatznummer werden in der Bank gespeichert, die zuvor mit der Funktion MIDI CONTROL BANK aufgerufen wurde. Wird eine Zuweisungsprogrammierung für eine andere Bank gewünscht, diese Bank wählen und dann wie oben beschrieben, die erforderlichen Zuweisungen eingeben.

HINWEIS: Programmwechselzuweisungen für Bank D werden beim Ausschalten des Geräts auf ihren Anfangswert rückgesetzt.

Einzelprogrammabwurf

Bei jedem Programmaufruf mit der Taste RECALL erfolgt eine Übertragung aller Daten des aufgerufenen Programms über den Ausgang MIDI OUT. Programme mit Nummern zwischen 31 und 90 werden im Empfangsgerät entsprechend der DEQ7-Speicherplatznummer abgespeichert.

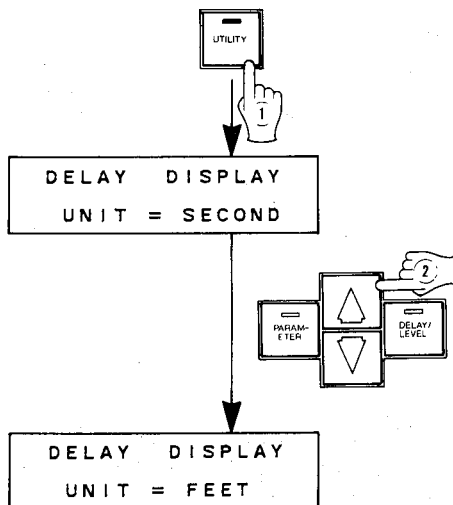
Datenblockempfang

Der DEQ7 empfängt automatisch die Daten eines Programms oder einer Bank, sobald vom sendenden Gerät die Anforderung MIDI BULK DUMP REQUEST eintrifft.

VERZÖGERUNGSANZEIGE

Beim DEQ7 lassen sich die Verzögerungseffekte (die mit Taste DELAY/LEVEL aufgerufenen Parameter L DELAY und R DELAY) in den Maßeinheiten Sekunden, Meter oder Feet anzeigen. Die Anzeigemöglichkeiten METER und FEET bieten einen guten Anhalt, wenn die Verzögerungseffekte des DEQ7 zur Kompensierung der Boxenabstände in umfangreichen Anlagen dienen.

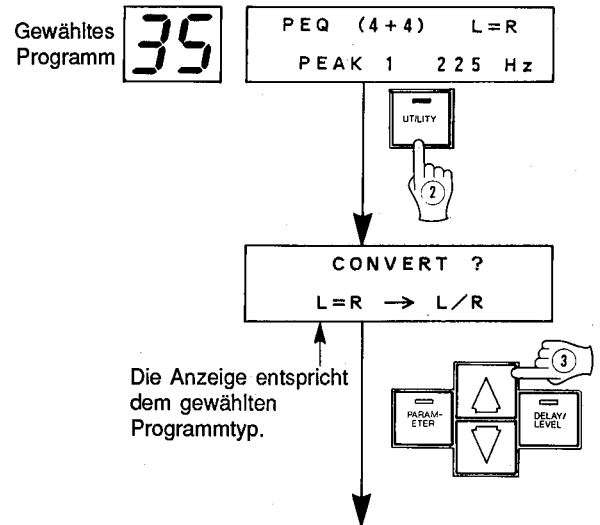
- ① Die Taste UTILITY einige Male drücken, bis die Meldung "DELAY DISPLAY" auf der LCD-Anzeige erscheint.
- ② Mit den beiden Pfeiltasten für Parametereditierung Δ und ∇ die gewünschte Anzeigenart SECOND, METER oder FEET wählen.
- ③ Die Taste UTILITY bis zum Verlassen der Betriebsart UTILITY gedrückt halten.



UMWANDLUNG VON L=R AUF L/R

Mit dieser Funktion können Programme des Typs L=R (Programmnummern 1, 4, 7, 13, 16, 18 und 21), die im RAM-Bereich abgelegt sind, in die entsprechenden Programme des Typs L/R umgesetzt werden, so daß eine individuelle Programmierung der Parameter für den linken und rechten Kanal möglich ist. Außerdem lassen sich mit Hilfe dieser Funktion auch die GEQ-Programme für linken Kanal (9 und 11) in die entsprechenden Programme für rechten Kanal umwandeln und umgekehrt (Rch GEQ-Programme Nr. 10 und 12 auf entsprechende Lch-Programme).

- ① Das umzuwandelnde Programm aus dem RAM-Speicherplatz abrufen.
- ② Die Taste UTILITY einige Male drücken, bis die gewünschte Funktionsmeldung "CONVERT" auf dem LCD-Display erscheint.
- ③ Mit der Pfeiltaste Δ für Programmwahl die Programmumwandlung auslösen. Die Taste UTILITY bis zum Verlassen der Betriebsart UTILITY gedrückt halten.



*Bei der Wahl von Programmen, die NICHT vom Typ L=R, Lch oder Rch sind, wird die Funktion CONVERT übersprungen.

* Wird die Funktion CONVERT bei den Programmen von 1 bis 30 ausgeführt, so wird die Umwandlung annulliert.

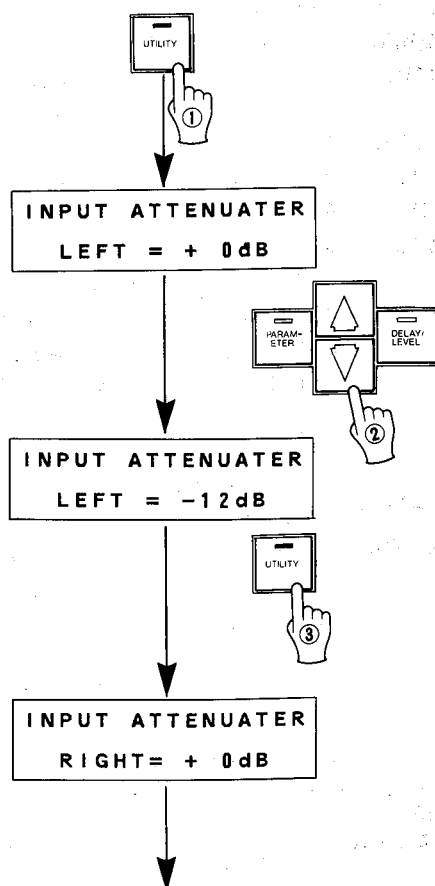
* Bei Verwendung der Umwandlungsfunktion wird der ursprüngliche Programminhalt gelöscht. Um dies zu vermeiden, ist es empfehlenswert, das Programm mit Hilfe der Funktion STORE in einen anderen Speicherplatz des RAM-Bereichs zu kopieren.

* Bei der Programmumwandlung werden die vom Benutzer editierten Programmtitel gelöscht und durch die entsprechenden voreingestellten Bezeichnungen ersetzt. Gegebenenfalls mit Hilfe der Funktion TITLE EDIT einen neuen Titel eingeben.

EINSTELLUNG DER EINGANGSSIGNALDÄMPFUNG

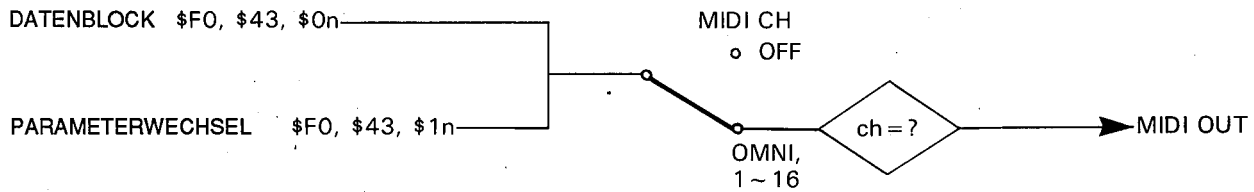
Diese Funktion ermöglicht die individuelle Einstellung der Eingangssignaldämpfung (Empfindlichkeit) für linken und rechten Kanal des Digitaleingangs des DEQ7. Die korrekte Einstellung dieser Parameter ist von wesentlicher Bedeutung, damit Übersteuerung bei hochpegeligen Digitalsignalen vermieden wird. Der Einstellbereich der Funktion INPUT ATTENUATER beträgt 0 bis 60 dB.

- ① Die Taste UTILITY drücken, bis die gewünschte Funktionsmeldung "INPUT ATTENUATER LEFT" auf dem LCD-Display erscheint.
- ② Mit den beiden Pfeiltasten für Parametereditierung Δ und ∇ den gewünschten Dämpfungswert für den linken Kanal einstellen.
- ③ Die Taste UTILITY erneut drücken, um die Funktion "INPUT ATTENUATER RIGHT" aufzurufen.
- ④ Mit den beiden Pfeiltasten für Parametereditierung Δ und ∇ den gewünschten Dämpfungswert für den rechten Kanal einstellen. Die Taste UTILITY bis zum Verlassen der Betriebsart UTILITY gedrückt halten.



MIDI-DATENFORMAT

1. Übertragungsbedingungen



2. Übertragungsdaten

2-1 Systeminformation

1) Systemexklusive Meldung

① 1 SPEICHERDATENBLOCK

Diese Daten werden übertragen, wenn ein Speicherplatz gewählt worden oder eine Datenblockabwurf-Aufforderung von einem externen Gerät eingegangen ist. Die gesendeten Daten umfassen den gesamten Inhalt der angegebenen Speicherplatznummer.

STATUS	11110000 (F0H)	
KENNUMMER	01000011 (43H)	
SUBSTATUS	0000nnnn (0nH)	n = 0 (Kanal, Nr. 1) -15 (Kanal, Nr. 16)
FORMAT, NR.	01111110 (7EH)	
BYTEZAHL	00000001 (01H)	
BYTEZAHL	01011010 (07H)	
KOPFBYTE	01001100 (4CH)	"L"
	01001101 (4DH)	"M"
	00100000 (20H)	Leerzeichen
	00100000 (20H)	Leerzeichen
	00111000 (38H)	"8"
	00110011 (33H)	"3"
	00110100 (35H)	"5"
	00110110 (36H)	"6"
DATENBEZEICH- NUNG	01001101 (4DH)	"M"
SPEICHERNR.	0mmmmmm	m = 1 (Speicherplatz, Nr. 1) -90 (Speicherplatz, Nr. 90)
DATEN	0ddddddd	125 Bytes
	0ddddddd	
PRÜFSUMME ENDE DER ÜBERTRAGUNG	0eeeeeee 11110111 (F7H)	

② PROGRAMMZUWEISUNGSDATEI-BLOCKABWURF

Diese Daten werden übertragen, wenn die Funktion MIDI BULK DUMP BANK TRANSMIT ausgeführt oder eine Aufforderung zum Datenblockabwurf eingegangen ist, solange die Meldung "MIDI BULK DUMP BANK" auf der LCD-Anzeige erscheint. Die übertragenen Daten umfassen den gesamten Inhalt der Zuweisungsdatei für Programmwechsel (Zuweisung der MIDI-Programmwechselnummern zu den Speicherplatznummern).

STATUS	11110000 (F0H)	
KENNUMMER	01000011 (43H)	
SUBSTATUS	0000nnnn (0nH)	n = 0 (Kanal, Nr. 1) -15 (Kanal, Nr. 16)
FORMAT, NR.	01111110 (7EH)	
BYTEZAHL	00000001 (01H)	
BYTEZAHL	00001010 (0AH)	
KOPFBYTE	01001100 (4CH)	"L"
	01001101 (4DH)	"M"
	00100000 (20H)	Leerzeichen
	00100000 (20H)	Leerzeichen
	00111000 (38H)	"8"
	00110011 (33H)	"3"
	00110100 (35H)	"6"
	00110110 (36H)	"6"
DATENBEZEICH- NUNG	01010100 (54H)	"T"
BANKNR.	0bbbbbbb	b = Bank 1 - 4 (1 = A, 2 = B, 3 = C, 4 = D)
DATEN	0ddddddd	128 Bytes
	0ddddddd	
PRÜFSUMME ENDE DER ÜBERTRAGUNG	0eeeeeee 11110111 (F7H)	

③ RAM-GESAMTDATENABWURF

Alle Daten in den RAM-Speichern werden übertragen, wenn die Funktion MIDI BULK DUMP BANK TRANSMIT aktiviert ist. Die übertragenen Daten umfassen den gesamten Inhalt der Speicherplatznummern 1 bis 60 sowie den Inhalt der Programmwechsel-Zuweisungsdateien in allen vier Banken.

STATUS 11110000 (F0H) — Speicherplatz,
 ENDE DER 11110111 (F7H) — Nr. 31, Daten
 ÜBERTRAGUNG

STATUS 11110000 (F0H) — Speicherplatz,
 ENDE DER 11110111 (F7H) — Nr. 90, Daten
 ÜBERTRAGUNG STATUS 11110000 (F0H) — Bank A, Daten
 ENDE DER 11110111 (F7H) — ÜBERTRAGUNG

STATUS 11110000 (F0H) — Bank D, Daten
 ENDE DER 11110111 (F7H) — ÜBERTRAGUNG

Die Funktion 1 MEMORY BULK DUMP wird 60 Mal und die Funktion 1 BANK PROGRAM CHANGE ASSIGNMENT TABLE BULK DUMP wird viermal ausgeführt.

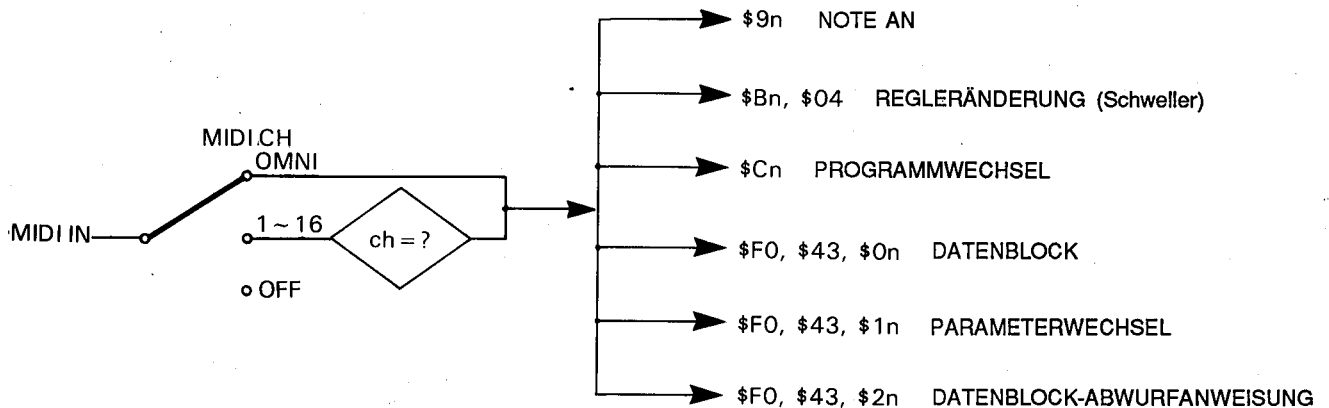
④ PARAMETERWECHSEL

Diese Meldung wird bei Änderung eines Parameterwerts übertragen.

STATUS 11110000 (F0H)
 KENNUMMER 01000011 (43H)
 SUBSTATUS 0001nnnn (1nH) n = 0 (Kanal, Nr. 1) –
 n = 15 (Kanal, Nr. 16)
 PARAMETER GRUPPE 00010011 (1CH)
 PARAMETER NUMMER 0ppppppp Siehe Tabelle unten.
 DATEN 0000dddd Siehe Tabelle unten.
 0000dddd
 ENDE DER 11110111 (F7H)
 ÜBERTRAGUNG

PARAMETER	pppppppp	pppp pppp
L DELAY	0	0–255
R DELAY	1	0–255
L OUT LEVEL	2	0–100
R OUT LEVEL	3	0–100
PARAMETER 1	4	—
:	:	
:	:	
PARAMETER 42	45	

3. Empfangsbedingungen



4. Empfangsdaten

4-1 Kanalinformation

① NOTE AN

Diese Meldung betrifft ausschließlich die Programme 25 und 28. Wenn bei diesen Programmen der Steuerparameter auf NOTE ___ gesetzt ist, wird die Filterfrequenz durch die empfangene Notennummer bestimmt.

STATUS	1001nnnn (9nH)	n = 0 (Kanal, Nr. 1) – 15 (Kanal, Nr. 16)
NOTENNR.	0kkkkkkk	k = 0 (C ₂) – 127 (G ₈)
DYNAMIK	0vvvvvvv	v = 0 – 127

② REGLERÄNDERUNG

Regleränderungsmeldungen können nur dann empfangen werden, wenn Programm 25 oder 28 aktiviert ist. Bei Steuerparameter "MIDI Ft" ist Empfang möglich. Schwellermeldungen können ebenso empfangen werden.

STATUS	1011nnnn (BnH)	n = 0 (Kanal, Nr. 1) – 15 (Kanal, Nr. 16)
REGLERNR.	00000100 (04H)	Schweller
WERT	0vvvvvvv	v = 0 – 127

③ PROGRAMMWECHSELMELDUNG

Bei Empfang dieser Meldung wird die Speicherplatznummer abgerufen, die der empfangenen Programmnummer in der Zuweisungsdatei der gewählten Bank zugeordnet ist.

STATUS	1100nnnn (CnH)	n = 0 (Kanal, Nr. 1) – 15 (Kanal, Nr. 16)
PROGRAMMR.	0ccccccc	c = 0 – 127

4-2 SYSTEMINFORMATION

1) SYSTEMEXKLUSIVE MELDUNG

① EINZELSPEICHER-DATENBLOCKEMPfang

Die Vorgänge beim Empfang dieser Daten entsprechen denen wie sie oben für die Datenübertragung unter Einzelspeicherabwurf beschrieben sind. Nur Programme mit den Nummern 31 bis 90 können empfangen werden.

② PROGRAMMWECHSEL-ZUWEISUNGSDATEIEMPfang

Die Vorgänge zum Empfang dieser Daten entsprechen denen wie sie oben für die Datenübertragung unter Programmwechsel-Zuweisungsdateiabwurf beschrieben sind.

③ RAM-SPEICHERDATENEMPfang

Die Vorgänge beim Empfang dieser Daten entsprechen denen wie sie oben für die Datenübertragung unter RAM-Speicherdatenabwurf beschrieben sind.

④ PARAMETERÄNDERUNG

Die Vorgänge beim Empfang dieser Daten entsprechen denen wie sie oben für die Datenübertragung unter Parameteränderung beschrieben sind. Beim Empfang dieser Meldungsart werden die Parameter des abgerufenen Programms entsprechend verändert.

⑤ EINZELSPEICHER-ABWURFANWEISUNG

Bei Empfang dieser Meldung sendet der DEQ7 den Inhalt des angewiesenen Speichers.

STATUS	11110000 (F0H)	
KENNUMMER	01000011 (43H)	
SUBSTATUS	0010nnnn (2nH)	n = 0 (Kanal, Nr. 1) – 15 (Kanal, Nr. 16)
FORMATNR.	01111110 (7EH)	
KOPFBYTE	01001100 (4CH)	"L"
	01001101 (4DH)	"M"
	00100000 (20H)	Leerzeichen
	00100000 (20H)	Leerzeichen
	00111000 (38H)	"8"
	00110011 (33H)	"3"
	00110100 (35H)	"5"
	00110110 (36H)	"6"
DATENBEZEICHNUNG	01001101 (4DH)	"M"
SPEICHERNR.	0mmmmmm	M = 1 (Speicherplatz, Nr. 1) –90 (Speicherplatz, Nr. 90)
ENDE DER ÜBERTRAGUNG	11110111 (F7H)	

⑥ ZUWEISUNGSDATEI-ABWURFANWEISUNG

Bei Empfang dieser Anweisung sendet der DEQ7 die Inhalte der angewiesenen Programmwechsel-Zuweisungsdatei.

STATUS	11110000 (F0H)	
KENNUMMER	01000011 (43H)	
SUBSTATUS	0010nnnn (2nH)	n = 0 (Kanal, Nr. 1) –15 (Kanal, Nr. 16)
FORMATNR.	01111110 (7EH)	
KOPFBYTE	01001100 (4CH)	"L"
	01001101 (4DH)	"M"
	00100000 (20H)	Leerzeichen
	00100000 (20H)	Leerzeichen
	00111000 (38H)	"8"
	00110011 (33H)	"3"
	00110100 (35H)	"5"
	00110110 (36H)	"6"
DATENBEZEICHNUNG	01010100 (54H)	"T"
BANKNR.	0bbbbbbb	b = 1 (Bank A) –4 (Bank D)
ENDE DER ÜBERTRAGUNG	11110111 (F7H)	

TECHNISCHE DATEN

ELEKTRISCHE KENNWERTE

Frequenzgang	20 Hz bis 20 kHz
Dynamikumfang	86 dB
Klirrfaktor	max. 0,03 % bei 1 kHz

EINGANG

Anzahl der Kanäle	2 symmetrische (XLR)
Nennsignalpegel	+4 dBm/-20 dBm
Impedanz	10 kOhm
Pegelregler	Stufenloser Potentiometer
Pegelanzeige	8-Segment-LED

DIGITALBLOCK

Anzahl der Kanäle	2
Abtastfrequenz	44,1 kHz
Quantisierung	16 bit
Digital-Eingang	1, Yamaha-Format
Digital-Ausgang	1, Yamaha-Format

AUSGANG

Anzahl der Kanäle	2 symmetrische (XLR)
Nennsignalpegel	+4 dBm/-20 dBm
Impedanz	600 Ohm

SPEICHERBELEGUNG

Festspeicher-Programme (ROM)	1 bis 30
Benutzerprogramme (RAM)	31 bis 90 (Speicherbatterie)

MIDI-STEUERUNG

Speicherplatzwahl (1 bis 90) durch MIDI Programmwechselnummer
Steuerung des Filterverlaufs über MIDI-Schweller bei Programm 9 und 10. Datenblockabwurf und -empfang

FRONTKONSOLE

Tasten	PARAMETER, DELAY/LEVEL, DATA INCREMENT, DATA DECREMENT, STORE, RECALL, MEMORY INCREMENT, MEMORY DECREMENT, UTILITY, PROTECT ON/OFF, BYPASS
Buchsen	FOOT CONTROL, BYPASS
Anzeigen	16-stelliges LCD-Display mit zwei Zeilen, beleuchtet 7-Segment-Leuchtdioden, zweistellig

RÜCKSEITE

Ein/Ausgänge	INPUT L, INPUT R, OUTPUT L, OUTPUT R, DIGITAL IN, DIGITAL OUT
Pegelwahlschalter	INPUT LEVEL (+4 dB/-20 dB) OUTPUT LEVEL (+4 dB/-20 dB)
MIDI-Anschlüsse	IN, OUT

ALLGEMEINES

Stromversorgung/ Leistungsaufnahme	USA und Kanada: 120 V, Wechselspannung 30 W Allgemeines Modell: 220 bis 240 V Wechselspannung, 30 W
Abmessungen (BxHxT)	480 x 45,2 x 285 mm
Gewicht	3,7 kg

* 0 dB = 0,775 V (effektiv)

* Das Recht zu Änderungen ohne Vorankündigung an technischen Daten und Design bleibt vorbehalten.

DESCRIPTIONS OF THE PROGRAMS

DESCRIPTION DES PROGRAMMATIONS

BESCHREIBUNG DER EQ-PROGRAMME

The DEQ7's 30 preset programs contain several different EQ categories: 1 through 11 are "graphic" equalizers, 12 through 14 are parametric equalizers, 15 through 17 offer tone-control type equalization, 18 through 22 are bandpass and band rejection filters, 23 and 24 are notch filters, and 25 through 30 are dynamic EQ and filter programs. Within each category there are a number of variations on the basic configuration. The following is a complete description of each of the 30 programs and their parameters.

* Please note that the term "graphic" is used to denote the familiar multi-band format used in graphic equalizers, rather than an actual graphic representation of EQ response.

Les 30 programmations pré-réglées du DEQ7 comprennent plusieurs catégories d'égalisations: celles de 1 à 11 sont des égaliseurs "graphiques"*, de 12 à 14, des égaliseurs paramétriques, de 15 à 17, des égalisations de contrôle de tonalité, de 18 à 22, des filtres de passe-bande et de coupe-bande, de 23 à 24, des filtres d'encoches et de 25 à 30, des programmations d'égalisations dynamiques et de filtres. Chaque catégorie contient un nombre de variations sur la configuration de base. Les explications suivantes donnent une description complète de chacune des 30 programmations et de leurs paramètres.

* Noter que le terme "graphique" est utilisé pour éviter de confondre le format multi-bande utilisé dans les égaliseurs graphiques à usage domestique avec la représentation graphique réelle de la réponse d'égalisation.

Die 30 festen Programme des DEQ7 untergliedern sich in mehrere verschiedene Kategorien: 1 bis 11 sind "grafische" Equalizer, 12 bis 14 sind parametrische Equalizer, 15 bis 17 bieten Klangregelnetzwerke, 18 bis 22 sind Bandpaß- und Bandsperrfilter, 23 und 24 sind Kerbfilter und 25 bis 30 sind dynamische EQ-Filterprogramme. Jede Kategorie umfaßt mehrere Versionen der Grundeinstellung. Nachfolgend sind alle 30 Programme mit ihren Parametern vollständig beschrieben.

* Der Begriff "grafisch" bezieht sich hier auf das übliche, bei Grafikequalizern verwendete Mehrbandformat und nicht etwa auf eine grafische Darstellung des entzerrten Frequenzgangs.

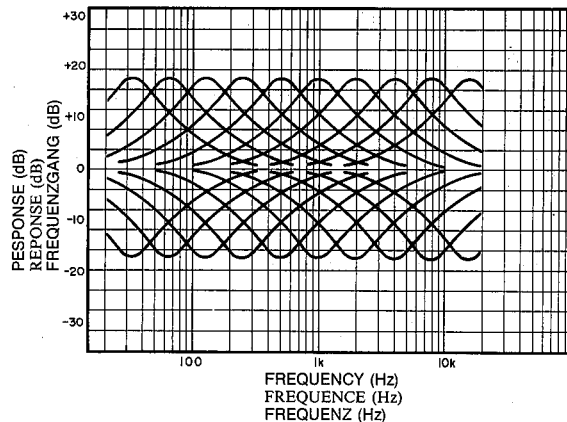
1. GEQ 1/1 oct L=R

This is a ten-band "graphic" equalizer covering a 32 Hz — 16 kHz frequency range. The control range for each band is from -18 dB to +18 dB. The Q (bandwidth) of each 1-octave band is 1.4. The left and right channel parameters are programmed simultaneously and are always equal (L=R).

C'est un égaliseur "graphique" à 10 bandes qui couvre une plage de fréquence de 32Hz à 16kHz. La plage de contrôle de chaque bande varie de -18dB à +18dB. Le facteur "Q" (largeur de bande) de chaque bande d'une octave est de 1,4. Les paramètres des canaux gauche et droit sont programmés de manière simultanée et sont toujours égaux (G=D).

Es handelt sich hier um einen "Grafikequalizer" mit 10 Bändern, der den Frequenzbereich von 32 Hz bis 16 kHz abdeckt. Der Pegelbereich für jedes Band reicht von -18 dB bis +18 dB. Der Q-Wert (Güte) jedes 1-Oktavbands beträgt 1,4. Die Parameter für linken und rechten Kanal werden gleichzeitig programmiert und sind stets identisch (L=R).

PARAMETER SELECT KEY TOUCHE DE SÉLECTION DE PARAMÈTRE TASTE FÜR PARAMETERWAHL	No. N° Nr.	PARAMETER PARAMÈTRE PARAMETER	RANGE PLAGE EINSTELLBEREICH	PRESET VALUE VALEUR PRÉREGLÉE VORINGESTELLTER WERT
DELAY/ LEVEL	1	L DELAY	0ms ~ 738ms	0ms
			0mm ~ 251m	0mm
			0i ~ 822f	0i
	2	R DELAY	0ms ~ 738ms	0ms
0mm ~ 251m			0mm	
0i ~ 822f			0i	
PARAM- ETER	3	L OUT LEVEL	0 ~ 100	100
	4	R OUT LEVEL	0 ~ 100	100
	1	32Hz	-18.0dB ~ +18.0dB	0dB
	2	63Hz	-18.0dB ~ +18.0dB	0dB
	3	125Hz	-18.0dB ~ +18.0dB	0dB
	4	250Hz	-18.0dB ~ +18.0dB	0dB
	5	500Hz	-18.0dB ~ +18.0dB	0dB
	6	1kHz	-18.0dB ~ +18.0dB	0dB
	7	2kHz	-18.0dB ~ +18.0dB	0dB
	8	4kHz	-18.0dB ~ +18.0dB	0dB
BYPASS	9	8kHz	-18.0dB ~ +18.0dB	0dB
	10	16kHz	-18.0dB ~ +18.0dB	0dB
	1	BYPASS	ON, OFF	OFF



2. GEQ 1/1 oct L/R

This is a ten-band "graphic" equalizer covering a 32 Hz — 16 kHz frequency range. The control range for each band is from -18 dB to +18 dB. The Q (bandwidth) of each 1-octave band is 1.4. The left and right channel parameters are programmed independently (L/R).

C'est un égaliseur "graphique" à 10 bandes qui couvre une plage de fréquence de 32Hz à 16kHz. La plage de contrôle de chaque bande varie de -18dB à +18dB. Le facteur "Q" (largeur de bande) de chaque bande d'une octave est de 1,4. Les paramètres des canaux gauche et droit sont programmés de manière indépendante (G/D).

Es handelt sich hier um einen "Grafikequalizer" mit 10 Bändern, der den Frequenzbereich von 32 Hz bis 16 kHz abdeckt. Der Pegelbereich liegt für jedes Band zwischen -18 dB und +18 dB. Der Q-Wert (Güte) jedes 1-Oktavbands beträgt 1,4. Die Parameter für linken und rechten Kanal werden individuell programmiert (L/R).

PARAMETER SELECT KEY TOUCHE DE SÉLECTION DE PARAMÈTRE TASTE FÜR PARAMETERWAHL	No. N ° Nr.	PARAMETER PARAMÈTRE PARAMETER	RANGE PLAGE EINSTELLBEREICH	PRESET VALUE VALEUR PRÉRÉGLÉE VORGESTELLTER WERT
DELAY / LEVEL	1	L DELAY	0ms ~ 738ms 0mm ~ 251m 0i ~ 822f	Oms Omm Oi
	2	R DELAY	0ms ~ 738ms 0mm ~ 251m 0i ~ 822f	Oms Omm Oi
	3	L OUT LEVEL	0 ~ 100	100
	4	R OUT LEVEL	0 ~ 100	100
PARAMETER	1	L 32Hz	-18.0dB ~ +18.0dB	0dB
	2	L 63Hz	-18.0dB ~ +18.0dB	0dB
	3	L 125Hz	-18.0dB ~ +18.0dB	0dB
	4	L 250Hz	-18.0dB ~ +18.0dB	0dB
	5	L 500Hz	-18.0dB ~ +18.0dB	0dB
	6	L 1kHz	-18.0dB ~ +18.0dB	0dB
	7	L 2kHz	-18.0dB ~ +18.0dB	0dB
	8	L 4kHz	-18.0dB ~ +18.0dB	0dB
	9	L 8kHz	-18.0dB ~ +18.0dB	0dB
	10	L 16kHz	-18.0dB ~ +18.0dB	0dB
	11	R 32Hz	-18.0dB ~ +18.0dB	0dB
	12	R 63Hz	-18.0dB ~ +18.0dB	0dB
	13	R 125Hz	-18.0dB ~ +18.0dB	0dB
	14	R 250Hz	-18.0dB ~ +18.0dB	0dB
	15	R 500Hz	-18.0dB ~ +18.0dB	0dB
	16	R 1kHz	-18.0dB ~ +18.0dB	0dB
	17	R 2kHz	-18.0dB ~ +18.0dB	0dB
	18	R 4kHz	-18.0dB ~ +18.0dB	0dB
	19	R 8kHz	-18.0dB ~ +18.0dB	0dB
	20	R 16kHz	-18.0dB ~ +18.0dB	0dB
BYPASS	1	BYPASS	ON, OFF	OFF

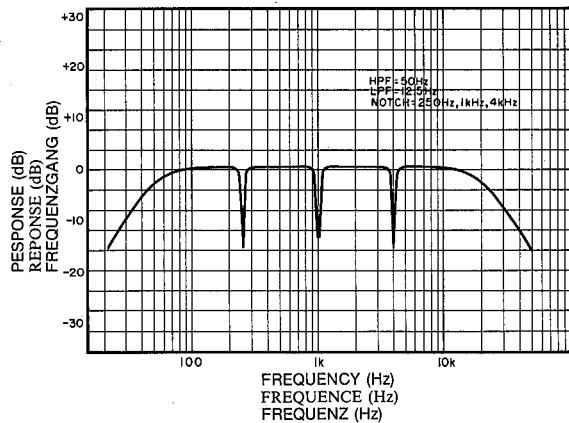
3. GEQ 1/1 oct L/R N

This is a ten-band "graphic" equalizer covering a 32 Hz — 16 kHz frequency range. The control range for each band is from -18 dB to +18 dB. The Q (bandwidth) of each 1-octave band is 1.4. The left and right channel parameters are programmed independently (L/R). This program also includes a variable high-pass filter, a variable low-pass filter and a three-band notch filter.

C'est un égaliseur "graphique" à 10 bandes qui couvre une plage de fréquence de 32Hz à 16kHz. La plage de contrôle de chaque bande varie de -18dB à +18dB. Le facteur "Q" (largeur de bande) de chaque bande d'une octave est de 1,4. Les paramètres des canaux gauche et droit sont programmés de manière indépendante (G/D). Cette programmation inclut également un filtre passe-haut et un filtre passe-bas variables, ainsi qu'un filtre à encoches à trois bandes (NOTCH).

Es handelt sich hier um einen "Grafikequalizer" mit 10 Bändern, der den Frequenzbereich von 32 Hz bis 16 kHz abdeckt. Der Einstellbereich für jedes Band reicht von -18 dB bis +18 dB. Der Q-Wert (Güte) jedes 1-Oktavbands beträgt 1,4. Die Parameter für linken und rechten Kanal werden individuell programmiert (L/R). Dieses Programm verfügt außerdem über einen variablen Hochpaß- und Tiefpaßfilter sowie über einen 3-Band-Kerbfiler.

PARAMETER SELECT KEY TOUCHE DE SÉLECTION DE PARAMÈTRE TASTE FÜR PARAMETERWAHL	No. N° Nr.	PARAMETER PARAMÈTRE PARAMETER	RANGE PLAGE EINSTELLBEREICH	PRESET VALUE VALEUR PRÉRÉGLÉE VOREINGESTELLTER WERT
DELAY LEVEL	1	L DELAY	0ms ~ 738ms 0mm ~ 251m 0i ~ 822f	0ms 0mm 0i
	2	R DELAY	0ms ~ 738ms 0mm ~ 251m 0i ~ 822f	0ms 0mm 0i
	3	L OUT LEVEL	0 ~ 100	100
	4	R OUT LEVEL	0 ~ 100	100
PARAMETER	1	L 32Hz	-18.0dB ~ +18.0dB	0dB
	2	L 63Hz	-18.0dB ~ +18.0dB	0dB
	3	L 125Hz	-18.0dB ~ +18.0dB	0dB
	4	L 250Hz	-18.0dB ~ +18.0dB	0dB
	5	L 500Hz	-18.0dB ~ +18.0dB	0dB
	6	L 1kHz	-18.0dB ~ +18.0dB	0dB
	7	L 2kHz	-18.0dB ~ +18.0dB	0dB
	8	L 4kHz	-18.0dB ~ +18.0dB	0dB
	9	L 8kHz	-18.0dB ~ +18.0dB	0dB
	10	L 16kHz	-18.0dB ~ +18.0dB	0dB
	11	R 32Hz	-18.0dB ~ +18.0dB	0dB
	12	R 63Hz	-18.0dB ~ +18.0dB	0dB
	13	R 125Hz	-18.0dB ~ +18.0dB	0dB
	14	R 250Hz	-18.0dB ~ +18.0dB	0dB
	15	R 500Hz	-18.0dB ~ +18.0dB	0dB
	16	R 1kHz	-18.0dB ~ +18.0dB	0dB
	17	R 2kHz	-18.0dB ~ +18.0dB	0dB
	18	R 4kHz	-18.0dB ~ +18.0dB	0dB
	19	R 8kHz	-18.0dB ~ +18.0dB	0dB
	20	R 16kHz	-18.0dB ~ +18.0dB	0dB
	21	HPF	THRU, 20Hz ~ 16.0kHz	THRU
	22	LPF	20Hz ~ 16.0kHz. THRU	THRU
	23	NOTCH 1	47Hz ~ 16.0kHz. THRU	THRU
	24	NOTCH 2	47Hz ~ 16.0kHz. THRU	THRU
	25	NOTCH 3	47Hz ~ 16.0kHz. THRU	THRU
BYPASS	1	BYPASS	ON, OFF	OFF



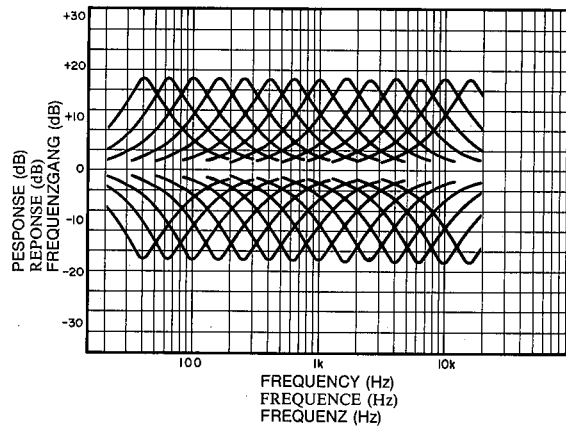
4. GEQ 2/3 oct L=R

This is a 14-band "graphic" equalizer covering a 40 Hz — 16 kHz frequency range. The control range for each band is from -18 dB to +18 dB. The Q (bandwidth) of each 2/3-octave band is 2.2. The left and right channel parameters are programmed simultaneously and are always equal (L=R).

C'est un égaliseur "graphique" à 14 bandes qui couvre une plage de fréquence de 40Hz à 16kHz. La plage de contrôle de chaque bande varie de -18dB à +18dB. Le facteur "Q" (largeur de bande) de chaque bande de 2/3 octave est de 2,2. Les paramètres des canaux gauche et droit sont programmés de manière simultanée et sont toujours égaux (G=D).

Es handelt sich hier um einen "Grafikequalizer" mit 14 Bändern, der den Frequenzbereich von 40 Hz bis 16 kHz abdeckt. Der Pegelbereich jedes Bands erstreckt sich von -18 dB bis +18 dB. Der Q-Wert (Güte) jedes 2/3-Oktavbands beträgt 2,2. Die Parameter für linken und rechten Kanal werden gleichzeitig programmiert und sind stets identisch (L=R).

PARAMETER SELECT KEY TOUCHE DE SÉLECTION DE PARAMÈTRE TASTE FÜR PARAMETERWAHL	No. N ° Nr.	PARAMETER PARAMÈTRE PARAMETER	RANGE PLAGE EINSTELLBEREICH	PRESET VALUE VALEUR PRÉREGLÉE VOREINGESTELLTER WERT
DELAY/ LEVEL	1	L DELAY	0ms ~ 738ms 0mm ~ 251m 0i ~ 822f	0ms 0mm 0i
	2	R DELAY	0ms ~ 738ms 0mm ~ 251m 0i ~ 822f	0ms 0mm 0i
	3	L OUT LEVEL	0 ~ 100	100
	4	R OUT LEVEL	0 ~ 100	100
PARAM- ETER	1	40Hz	-18.0dB ~ +18.0dB	0dB
	2	63Hz	-18.0dB ~ +18.0dB	0dB
	3	100Hz	-18.0dB ~ +18.0dB	0dB
	4	160Hz	-18.0dB ~ +18.0dB	0dB
	5	250Hz	-18.0dB ~ +18.0dB	0dB
	6	400Hz	-18.0dB ~ +18.0dB	0dB
	7	630Hz	-18.0dB ~ +18.0dB	0dB
	8	1.0kHz	-18.0dB ~ +18.0dB	0dB
	9	1.6kHz	-18.0dB ~ +18.0dB	0dB
	10	2.5kHz	-18.0dB ~ +18.0dB	0dB
	11	4.0kHz	-18.0dB ~ +18.0dB	0dB
	12	6.3kHz	-18.0dB ~ +18.0dB	0dB
	13	10kHz	-18.0dB ~ +18.0dB	0dB
	14	16kHz	-18.0dB ~ +18.0dB	0dB
BYPASS	1	BYPASS	ON, OFF	OFF



5. GEQ 2/3 oct L/R

This is a 14-band "graphic" equalizer covering a 40 Hz — 16 kHz frequency range. The control range for each band is from -18 dB to +18 dB. The Q (bandwidth) of each 2/3-octave band is 2.2. The left and right channel parameters are programmed independently (L/R).

C'est un égaliseur "graphique" à 14 bandes qui couvre une plage de fréquence de 40Hz à 16kHz. La plage de contrôle de chaque bande varie de -18dB à +18dB. Le facteur "Q" (largeur de bande) de chaque bande de 2/3 octave est de 2,2. Les paramètres des canaux gauche et droit sont programmés de manière indépendante (G/D).

Es handelt sich hier um einen "Grafikequalizer" mit 14 Bändern, die den Frequenzbereich von 40 Hz bis 16 kHz umfassen. Der Pegelbereich für jedes Band reicht von -18 dB bis +18 dB. Der Q-Wert (Güte) jedes 2/3-Oktavbands beträgt 2,2. Die Parameter für linken und rechten Kanal werden individuell programmiert (L/R).

PARAMETER SELECT KEY TOUCHE DE SÉLECTION DE PARAMÈTRE TASTE FÜR PARAMETERWAHL	No. N° Nr.	PARAMETER PARAMÈTRE PARAMETER	RANGE PLAGE EINSTELLBEREICH	PRESET VALUE VALEUR PRÉRÉGLÉE VOREINGESTELLTER WERT
<input type="checkbox"/> DELAY/ LEVEL	1	L DELAY	0ms ~ 738ms	0ms
			0mm ~ 251m	0mm
	2	R DELAY	0ms ~ 738ms	0ms
			0mm ~ 251m	0mm
3	L OUT LEVEL	0 ~ 100	100	
4	R OUT LEVEL	0 ~ 100	100	
<input type="checkbox"/> PARAM- ETER	1	L 40Hz	-18.0dB ~ +18.0dB	0dB
	2	L 63Hz	-18.0dB ~ +18.0dB	0dB
	3	L 100Hz	-18.0dB ~ +18.0dB	0dB
	4	L 160Hz	-18.0dB ~ +18.0dB	0dB
	5	L 250Hz	-18.0dB ~ +18.0dB	0dB
	6	L 400Hz	-18.0dB ~ +18.0dB	0dB
	7	L 630Hz	-18.0dB ~ +18.0dB	0dB
	8	L 1.0kHz	-18.0dB ~ +18.0dB	0dB
	9	L 1.6kHz	-18.0dB ~ +18.0dB	0dB
	10	L 2.5kHz	-18.0dB ~ +18.0dB	0dB
	11	L 4.0kHz	-18.0dB ~ +18.0dB	0dB
	12	L 6.3kHz	-18.0dB ~ +18.0dB	0dB
	13	L 10kHz	-18.0dB ~ +18.0dB	0dB
	14	L 16kHz	-18.0dB ~ +18.0dB	0dB
	15	R 40Hz	-18.0dB ~ +18.0dB	0dB
	16	R 63Hz	-18.0dB ~ +18.0dB	0dB
	17	R 100Hz	-18.0dB ~ +18.0dB	0dB
	18	R 160Hz	-18.0dB ~ +18.0dB	0dB
	19	R 250Hz	-18.0dB ~ +18.0dB	0dB
	20	R 400Hz	-18.0dB ~ +18.0dB	0dB
	21	R 630Hz	-18.0dB ~ +18.0dB	0dB
	22	R 1.0kHz	-18.0dB ~ +18.0dB	0dB
	23	R 1.6kHz	-18.0dB ~ +18.0dB	0dB
	24	R 2.5kHz	-18.0dB ~ +18.0dB	0dB
	25	R 4.0kHz	-18.0dB ~ +18.0dB	0dB
	26	R 6.3kHz	-18.0dB ~ +18.0dB	0dB
	27	R 10kHz	-18.0dB ~ +18.0dB	0dB
	28	R 16kHz	-18.0dB ~ +18.0dB	0dB
<input type="checkbox"/> BYPASS	1	BYPASS	ON, OFF	OFF

6. GEQ 2/3 oct L/R N

This is a 14-band "graphic" equalizer covering a 40 Hz — 16 kHz frequency range. The control range for each band is from -18 dB to +18 dB. The Q (bandwidth) of each 2/3-octave band is 2.2. The left and right channel parameters are programmed independently (L/R). This program also includes a variable high-pass filter, a variable low-pass filter and a three-band notch filter.

C'est un égaliseur "graphique" à 14 bandes qui couvre une plage de fréquence de 40Hz à 16kHz. La plage de contrôle de chaque bande varie de -18dB à +18dB. Le facteur "Q" (largeur de bande) de chaque bande de 2/3 octave est de 2,2. Les paramètres des canaux gauche et droit sont programmés de manière indépendante (G/D). Cette programmation inclut également un filtre passe-haut et un filtre passe-bas variables, ainsi qu'un filtre à encoches (NOTCH).

Es handelt sich hier um einen "Grafikequalizer" mit 14 Bändern, der den Frequenzbereich von 40 Hz bis 16 kHz abdeckt. Der Regelbereich für jedes Band reicht von -18 dB bis +18 dB. Der Q-Wert (Güte) jedes 1-Oktavbands beträgt 2,2. Die Parameter für linken und rechten Kanal werden individuell programmiert (L/R). Dieses Programm verfügt außerdem über einen variablen Hochpaß- und Tiefpaßfilter sowie über einen Kerbfilter.

PARAMETER SELECT KEY TOUCHE DE SELECTION DE PARAMETRE TASTE FÜR PARAMETERWAHL	No. N° Nr.	PARAMETER PARAMETRE PARAMETER	RANGE PLAGE EINSTELLBEREICH	PRESET VALUE VALEUR PREREGLEE VORGESTELLTER WERT
DELAY/LEVEL	1	L DELAY	Oms ~ 738ms Omm ~ 251m Oi ~ 822f	.Oms Omm Oi
	2	R DELAY	Oms ~ 738ms Omm ~ 251m Oi ~ 822f	Oms Omm Oi
	3	L OUT LEVEL	0 ~ 100	100
	4	R OUT LEVEL	0 ~ 100	100
PARAMETER	1	L 40Hz	-18.0dB ~ +18.0dB	0dB
	2	L 63Hz	-18.0dB ~ +18.0dB	0dB
	3	L 100Hz	-18.0dB ~ +18.0dB	0dB
	4	L 160Hz	-18.0dB ~ +18.0dB	0dB
	5	L 250Hz	-18.0dB ~ +18.0dB	0dB
	6	L 400Hz	-18.0dB ~ +18.0dB	0dB
	7	L 630Hz	-18.0dB ~ +18.0dB	0dB
	8	L 1.0kHz	-18.0dB ~ +18.0dB	0dB
	9	L 1.6kHz	-18.0dB ~ +18.0dB	0dB
	10	L 2.5kHz	-18.0dB ~ +18.0dB	0dB
	11	L 4.0kHz	-18.0dB ~ +18.0dB	0dB
	12	L 6.3kHz	-18.0dB ~ +18.0dB	0dB
	13	L 10kHz	-18.0dB ~ +18.0dB	0dB
	14	L 16kHz	-18.0dB ~ +18.0dB	0dB
	15	R 40Hz	-18.0dB ~ +18.0dB	0dB
	16	R 63Hz	-18.0dB ~ +18.0dB	0dB
	17	R 100Hz	-18.0dB ~ +18.0dB	0dB
	18	R 160Hz	-18.0dB ~ +18.0dB	0dB
	19	R 250Hz	-18.0dB ~ +18.0dB	0dB
	20	R 400Hz	-18.0dB ~ +18.0dB	0dB
	21	R 630Hz	-18.0dB ~ +18.0dB	0dB
	22	R 1.0kHz	-18.0dB ~ +18.0dB	0dB
	23	R 1.6kHz	-18.0dB ~ +18.0dB	0dB
	24	R 2.5kHz	-18.0dB ~ +18.0dB	0dB
	25	R 4.0kHz	-18.0dB ~ +18.0dB	0dB
	26	R 6.3kHz	-18.0dB ~ +18.0dB	0dB
	27	R 10kHz	-18.0dB ~ +18.0dB	0dB
	28	R 16kHz	-18.0dB ~ +18.0dB	0dB
	29	HPF	THRU, 20Hz~16.0kHz	THRU
	30	LPF	20Hz ~ 16.0kHz. THRU	THRU
	31	NOTCH	47Hz ~ 16.0kHz. THRU	THRU
BYPASS	1	BYPASS	ON, OFF	OFF

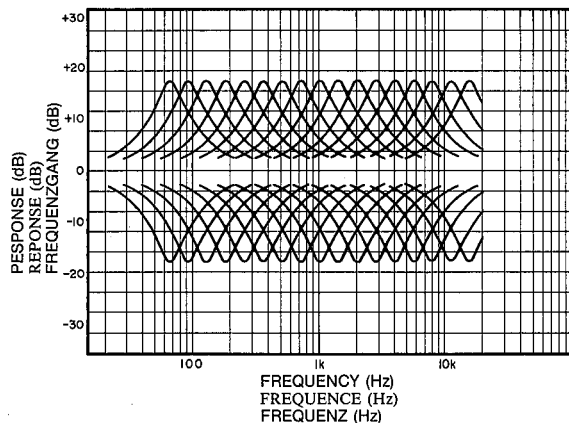
7. GEQ 1/2 oct L=R

This is an 17-band "graphic" equalizer covering a 63 Hz — 16 kHz frequency range. The control range for each band is from -18 dB to +18 dB. The Q (bandwidth) of each 1/2-octave band is 2.8. The left and right channel parameters are programmed simultaneously and are always equal (L=R).

C'est un égaliseur "graphique" à 17 bandes qui couvre une plage de fréquence de 63Hz à 16kHz. La plage de contrôle de chaque bande varie de -18dB à +18dB. Le facteur "Q" (largeur de bande) de chaque bande de demi-octave est de 2,8. Les paramètres des canaux gauche et droit sont programmés de manière simultanée et sont toujours égaux (G=D).

Hierbei handelt es sich um einen "Grafikequalizer" mit 17 Bändern, der den Frequenzbereich von 63 Hz bis 16 kHz abdeckt. Der Einstellbereich für jedes Band reicht von -18 dB bis +18 dB. Der Q-Wert (Güte) jedes 1/2-Oktavbands beträgt 2,8. Die Parameter für linken und rechten Kanal werden gleichzeitig programmiert und sind stets identisch (L=R).

PARAMETER SELECT KEY TOUCHE DE SELECTION DE PARAMETRE TASTE FÜR PARAMETERWAHL	No. N° Nr.	PARAMETER PARAMETRE PARAMETER	RANGE PLAGE EINSTELLBEREICH	PRESET VALUE VALEUR PRÉREGLÉE VORINGESTELLTER WERT
<input type="checkbox"/> DELAY LEVEL	1	L DELAY	0ms ~ 738ms	0ms
			0mm ~ 251m	0mm
	2	R DELAY	0ms ~ 738ms	0ms
			0mm ~ 251m	0mm
3	L OUT LEVEL	0 ~ 100	100	
	4	R OUT LEVEL	0 ~ 100	100
<input type="checkbox"/> PARAM- ETER	1	63Hz	-18.0dB ~ +18.0dB	0dB
	2	90Hz	-18.0dB ~ +18.0dB	0dB
	3	125Hz	-18.0dB ~ +18.0dB	0dB
	4	180Hz	-18.0dB ~ +18.0dB	0dB
	5	250Hz	-18.0dB ~ +18.0dB	0dB
	6	360Hz	-18.0dB ~ +18.0dB	0dB
	7	500Hz	-18.0dB ~ +18.0dB	0dB
	8	720Hz	-18.0dB ~ +18.0dB	0dB
	9	1.0kHz	-18.0dB ~ +18.0dB	0dB
	10	1.4kHz	-18.0dB ~ +18.0dB	0dB
	11	2.0kHz	-18.0dB ~ +18.0dB	0dB
	12	2.8kHz	-18.0dB ~ +18.0dB	0dB
	13	4.0kHz	-18.0dB ~ +18.0dB	0dB
	14	5.6kHz	-18.0dB ~ +18.0dB	0dB
	15	8.0kHz	-18.0dB ~ +18.0dB	0dB
	16	11kHz	-18.0dB ~ +18.0dB	0dB
	17	16kHz	-18.0dB ~ +18.0dB	0dB
<input type="checkbox"/> BYPASS	1	BYPASS	ON, OFF	OFF



8. GEQ 1/2 oct L/R

This is an 17-band "graphic" equalizer covering a 63 Hz — 16 kHz frequency range. The control range for each band is from -18 dB to +18 dB. The Q (bandwidth) of each 1/2-octave band is 2.8. The left and right channel parameters are programmed independently (L/R).

C'est un égaliseur "graphique" à 17 bandes qui couvre une plage de fréquence de 63Hz à 16kHz. La plage de contrôle de chaque bande varie de -18dB à +18dB. Le facteur "Q" (largeur de bande) de chaque bande de demi-octave est de 2,8. Les paramètres des canaux gauche et droit sont programmés de manière indépendante (G/D).

Es handelt sich hier um einen "Grafikequalizer" mit 17 Bändern, der den Frequenzbereich von 63 Hz bis 16 kHz abdeckt. Der Pegelbereich jedes Bands liegt zwischen -18 dB und +18 dB. Der Q-Wert (Güte) jedes 1/2-Oktavbands beträgt 2,8. Die Parameter für linken und rechten Kanal werden individuell programmiert (L/R).

PARAMETER SELECT KEY TOUCHE DE SELECTION DE PARAMETRE TASTE FÜR PARAMETERWAHL	No. N° Nr.	PARAMETER PARAMETRE PARAMETER	RANGE PLAGE EINSTELLBEREICH	PRESET VALUE VALEUR PREREGLEE VORGESTELLTER WERT
DELAY/ LEVEL	1	L DELAY	Oms ~ 738ms	Oms
			Omm ~ 251m	Omm
			Oi ~ 822f	Oi
	2	R DELAY	Oms ~ 738ms	Oms
Omm ~ 251m			Omm	
Oi ~ 822f			Oi	
3	L OUT LEVEL	0 ~ 100	100	
4	R OUT LEVEL	0 ~ 100	100	
PARAM- ETER	1	L 63Hz	-18.0dB ~ +18.0dB	0dB
	2	L 90Hz	-18.0dB ~ +18.0dB	0dB
	3	L 125Hz	-18.0dB ~ +18.0dB	0dB
	4	L 180Hz	-18.0dB ~ +18.0dB	0dB
	5	L 250Hz	-18.0dB ~ +18.0dB	0dB
	6	L 360Hz	-18.0dB ~ +18.0dB	0dB
	7	L 500Hz	-18.0dB ~ +18.0dB	0dB
	8	L 720Hz	-18.0dB ~ +18.0dB	0dB
	9	L 1.0kHz	-18.0dB ~ +18.0dB	0dB
	10	L 1.4kHz	-18.0dB ~ +18.0dB	0dB
	11	L 2.0kHz	-18.0dB ~ +18.0dB	0dB
	12	L 2.8kHz	-18.0dB ~ +18.0dB	0dB
	13	L 4.0kHz	-18.0dB ~ +18.0dB	0dB
	14	L 5.6kHz	-18.0dB ~ +18.0dB	0dB
	15	L 8.0kHz	-18.0dB ~ +18.0dB	0dB
	16	L 11kHz	-18.0dB ~ +18.0dB	0dB
	17	L 16kHz	-18.0dB ~ +18.0dB	0dB
	18	R 63Hz	-18.0dB ~ +18.0dB	0dB
	19	R 90Hz	-18.0dB ~ +18.0dB	0dB
	20	R 125Hz	-18.0dB ~ +18.0dB	0dB
	21	R 180Hz	-18.0dB ~ +18.0dB	0dB
	22	R 250Hz	-18.0dB ~ +18.0dB	0dB
	23	R 360Hz	-18.0dB ~ +18.0dB	0dB
	24	R 500Hz	-18.0dB ~ +18.0dB	0dB
	25	R 720Hz	-18.0dB ~ +18.0dB	0dB
	26	R 1.0kHz	-18.0dB ~ +18.0dB	0dB
	27	R 1.4kHz	-18.0dB ~ +18.0dB	0dB
	28	R 2.0kHz	-18.0dB ~ +18.0dB	0dB
	29	R 2.8kHz	-18.0dB ~ +18.0dB	0dB
	30	R 4.0kHz	-18.0dB ~ +18.0dB	0dB
	31	R 5.6kHz	-18.0dB ~ +18.0dB	0dB
	32	R 8.0kHz	-18.0dB ~ +18.0dB	0dB
	33	R 11kHz	-18.0dB ~ +18.0dB	0dB
	34	R 16kHz	-18.0dB ~ +18.0dB	0dB
BYPASS	1	BYPASS	ON, OFF	OFF
	(The remaining rows in this section are crossed out with a large X)			

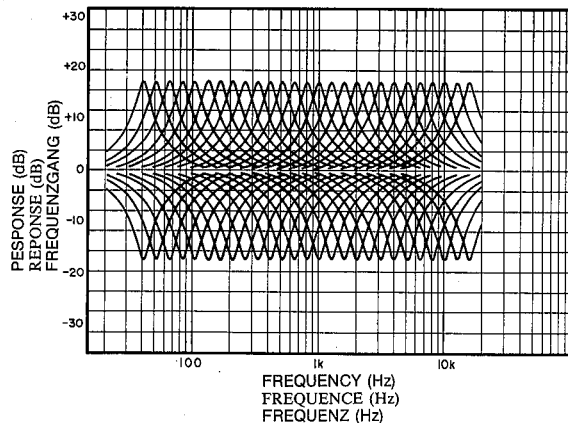
9. GEQ 1/3 oct Lch

This is a 27-band monaural "graphic" equalizer covering a 40 Hz — 16 kHz frequency range. The control range for each band is from -18 dB to +18 dB. The Q (bandwidth) of each 1/3-octave band is 4.5. The equalizer functions on the left channel only. The right channel is bypassed (THRU) but the right-channel delay and output level parameters are still active.

C'est un égaliseur "graphique" mono à 27 bandes qui couvre une plage de fréquence de 40Hz à 16kHz. La plage de contrôle de chaque bande varie de -18dB à +18dB. Le facteur "Q" (largeur de bande) de chaque bande de 1/3 d'octave est de 4,5. Les fonctions d'égalisation portent uniquement sur le canal gauche. Le canal droit est dérivé (THRU) mais le retard du canal droit et ses paramètres de niveau de sortie sont toujours actifs.

Es handelt sich hier um einen mono-auralen "Grafikequalizer" mit 27 Bändern, der den Frequenzbereich von 40 Hz bis 16 kHz abdeckt. Der Einstellbereich für jedes Band reicht von -18 dB bis +18 dB. Der Q-Wert (Güte) jedes 1/3-Oktavbands beträgt 4,5. Die Signalverzerrung erfolgt ausschließlich auf dem linken Kanal. Der rechte Kanal wird überbrückt (THRU), die Verzögerungs- und Ausgangspegelparameter wirken jedoch auf beide Kanäle.

PARAMETER SELECT KEY TOUCHE DE SELECTION DE PARAMETRE TASTE FÜR PARAMETERWAHL	No. N ° Nr.	PARAMETER PARAMETRE PARAMETER	RANGE PLAGE EINSTELLBEREICH	PRESET VALUE VALEUR PREREGLEE VOREINGESTELLTER WERT
<input type="checkbox"/> DELAY/ LEVEL	1	L DELAY	0ms ~ 738ms 0mm ~ 251m 0i ~ 822f	0ms 0mm 0i
	2	R DELAY	0ms ~ 738ms 0mm ~ 251m 0i ~ 822f	0ms 0mm 0i
	3	L OUT LEVEL	0 ~ 100	100
	4	R OUT LEVEL	0 ~ 100	100
<input type="checkbox"/> PARAM- ETER	1	L 40Hz	-18.0dB ~ +18.0dB	0dB
	2	L 50Hz	-18.0dB ~ +18.0dB	0dB
	3	L 63Hz	-18.0dB ~ +18.0dB	0dB
	4	L 80Hz	-18.0dB ~ +18.0dB	0dB
	5	L 100Hz	-18.0dB ~ +18.0dB	0dB
	6	L 125Hz	-18.0dB ~ +18.0dB	0dB
	7	L 160Hz	-18.0dB ~ +18.0dB	0dB
	8	L 200Hz	-18.0dB ~ +18.0dB	0dB
	9	L 250Hz	-18.0dB ~ +18.0dB	0dB
	10	L 320Hz	-18.0dB ~ +18.0dB	0dB
	11	L 400Hz	-18.0dB ~ +18.0dB	0dB
	12	L 500Hz	-18.0dB ~ +18.0dB	0dB
	13	L 630Hz	-18.0dB ~ +18.0dB	0dB
	14	L 800Hz	-18.0dB ~ +18.0dB	0dB
	15	L 1.0kHz	-18.0dB ~ +18.0dB	0dB
	16	L 1.25kHz	-18.0dB ~ +18.0dB	0dB
	17	L 1.6kHz	-18.0dB ~ +18.0dB	0dB
	18	L 2.0kHz	-18.0dB ~ +18.0dB	0dB
	19	L 2.5kHz	-18.0dB ~ +18.0dB	0dB
	20	L 3.2kHz	-18.0dB ~ +18.0dB	0dB
	21	L 4.0kHz	-18.0dB ~ +18.0dB	0dB
	22	L 5.0kHz	-18.0dB ~ +18.0dB	0dB
	23	L 6.3kHz	-18.0dB ~ +18.0dB	0dB
	24	L 8.0kHz	-18.0dB ~ +18.0dB	0dB
	25	L 10kHz	-18.0dB ~ +18.0dB	0dB
	26	L 13kHz	-18.0dB ~ +18.0dB	0dB
	27	L 16kHz	-18.0dB ~ +18.0dB	0dB
<input type="checkbox"/> BYPASS	1	BYPASS	ON, OFF	OFF



10. GEQ 1/3 oct Rch

This is a 27-band monaural "graphic" equalizer covering a 40 Hz — 16 kHz frequency range. The control range for each band is from -18 dB to +18 dB. The Q (bandwidth) of each 1/3-octave band is 4.5. The equalizer functions on the right channel only. The left channel is bypassed (THRU) but the left-channel delay and output level parameters are still active.

C'est un égaliseur "graphique" mono à 27 bandes qui couvre une plage de fréquence de 40Hz à 16kHz. La plage de contrôle de chaque bande varie de -18dB à +18dB. Le facteur "Q" (largeur de bande) de chaque bande de 1/3 d'octave est de 4,5. Les fonctions d'égalisation portent uniquement sur le canal droit. Le canal gauche est dérivé (THRU) mais le retard du canal gauche et ses paramètres de niveau de sortie sont toujours actifs.

Dieser Mono-"Grafikequalizer" mit 27 Bändern umfaßt einen Frequenzbereich von 40 Hz bis 16 kHz. Der Pegelinstellbereich für jedes Band reicht von -18 dB bis +18 dB. Der Q-Wert (Güte) jedes 1/3-Oktavbands beträgt 4,5. Die Signalverzerrung erfolgt ausschließlich auf dem rechten Kanal. Der linke Kanal wird überbrückt (THRU), die Verzögerungs- und Ausgangspegelparameter wirken jedoch auf beide Kanäle.




PARAMETER SELECT KEY TOUCHE DE SÉLECTION DE PARAMÈTRE TASTE FÜR PARAMETERWAHL	No. N ° Nr.	PARAMETER PARAMÈTRE PARAMETER	RANGE PLAGE EINSTELLBEREICH	PRESET VALUE VALEUR PRÉRÉGLÉE VORINGESTELLTER WERT
DELAY / LEVEL	1	L DELAY	Oms ~ 738ms Omm ~ 251m Oi ~ 822f	Oms Omm Oi
	2	R DELAY	Oms ~ 738ms Omm ~ 251m Oi ~ 822f	Oms Omm Oi
	3	L OUT LEVEL	0 ~ 100	100
	4	R OUT LEVEL	0 ~ 100	100
PARAM- ETER	1	R 40Hz	-18.0dB ~ +18.0dB	0dB
	2	R 50Hz	-18.0dB ~ +18.0dB	0dB
	3	R 63Hz	-18.0dB ~ +18.0dB	0dB
	4	R 80Hz	-18.0dB ~ +18.0dB	0dB
	5	R 100Hz	-18.0dB ~ +18.0dB	0dB
	6	R 125Hz	-18.0dB ~ +18.0dB	0dB
	7	R 160Hz	-18.0dB ~ +18.0dB	0dB
	8	R 200Hz	-18.0dB ~ +18.0dB	0dB
	9	R 250Hz	-18.0dB ~ +18.0dB	0dB
	10	R 320Hz	-18.0dB ~ +18.0dB	0dB
	11	R 400Hz	-18.0dB ~ +18.0dB	0dB
	12	R 500Hz	-18.0dB ~ +18.0dB	0dB
	13	R 630Hz	-18.0dB ~ +18.0dB	0dB
	14	R 800Hz	-18.0dB ~ +18.0dB	0dB
	15	R 1.0kHz	-18.0dB ~ +18.0dB	0dB
	16	R 1.25kHz	-18.0dB ~ +18.0dB	0dB
	17	R 1.6kHz	-18.0dB ~ +18.0dB	0dB
	18	R 2.0kHz	-18.0dB ~ +18.0dB	0dB
	19	R 2.5kHz	-18.0dB ~ +18.0dB	0dB
	20	R 3.2kHz	-18.0dB ~ +18.0dB	0dB
	21	R 4.0kHz	-18.0dB ~ +18.0dB	0dB
	22	R 5.0kHz	-18.0dB ~ +18.0dB	0dB
	23	R 6.3kHz	-18.0dB ~ +18.0dB	0dB
	24	R 8.0kHz	-18.0dB ~ +18.0dB	0dB
	25	R 10kHz	-18.0dB ~ +18.0dB	0dB
	26	R 13kHz	-18.0dB ~ +18.0dB	0dB
	27	R 16kHz	-18.0dB ~ +18.0dB	0dB
BYPASS	1	BYPASS	ON, OFF	OFF

11. GEQ 1/3 oct Lch N

This is a 27-band monaural "graphic" equalizer covering a 40 Hz — 16 kHz frequency range. The control range for each band is from -18 dB to +18 dB. The Q (bandwidth) of each 1/3-octave band is 4.5. This program also includes a variable high-pass filter, a variable low-pass filter and a three-band notch filter. The equalizer and filters function on the left channel only. The right channel is bypassed (THRU).

C'est un égaliseur "graphique" mono à 27 bandes qui couvre une plage de fréquence de 40Hz à 16kHz. La plage de contrôle de chaque bande varie de -18dB à +18dB. Le facteur "Q" (largeur de bande) de chaque bande de 1/3 d'octave est de 4,5. Cette programmation inclut également un filtre passe-haut et un filtre passe-bas variables, ainsi qu'un filtre à encoches à trois bandes. Le canal droit est dérivé (THRU).

Es handelt sich hier um einen Mono-"Grafikequalizer" mit 27 Bändern, der den Frequenzbereich von 40 Hz bis 16 kHz abdeckt. Der Einstellbereich für jedes Band reicht von -18 dB bis +18 dB. Der Q-Wert (Güte) jedes 1/3-Oktavbands beträgt 4,5. Dieses Programm verfügt außerdem über einen variablen Hochpaß- und Tiefpaßfilter sowie über einen 3-Band-Kerbfilter. Die Signalverzerrung und -filterung erfolgt ausschließlich auf dem linken Kanal. Der rechte Kanal wird überbrückt (THRU).

PARAMETER SELECT KEY TOUCHE DE SÉLECTION DE PARAMÈTRE TASTE FÜR PARAMETERWAHL	No. N ° Nr.	PARAMETER PARAMÈTRE PARAMETER	RANGE PLAGE EINSTELLBEREICH	PRESET VALUE VALEUR PRÉREGLÉE VORGESTELLTER WERT
 DELAY/ LEVEL	1	L DELAY	0ms ~ 738ms 0mm ~ 251m 0i ~ 822f	0ms 0mm 0i
	2	R DELAY	0ms ~ 738ms 0mm ~ 251m 0i ~ 822f	0ms 0mm 0i
	3	L OUT LEVEL	0 ~ 100	100
	4	R OUT LEVEL	0 ~ 100	100
 PARAM- ETER	1	L 40Hz	-18.0dB ~ +18.0dB	0dB
	2	L 50Hz	-18.0dB ~ +18.0dB	0dB
	3	L 63Hz	-18.0dB ~ +18.0dB	0dB
	4	L 80Hz	-18.0dB ~ +18.0dB	0dB
	5	L 100Hz	-18.0dB ~ +18.0dB	0dB
	6	L 125Hz	-18.0dB ~ +18.0dB	0dB
	7	L 160Hz	-18.0dB ~ +18.0dB	0dB
	8	L 200Hz	-18.0dB ~ +18.0dB	0dB
	9	L 250Hz	-18.0dB ~ +18.0dB	0dB
	10	L 320Hz	-18.0dB ~ +18.0dB	0dB
	11	L 400Hz	-18.0dB ~ +18.0dB	0dB
	12	L 500Hz	-18.0dB ~ +18.0dB	0dB
	13	L 630Hz	-18.0dB ~ +18.0dB	0dB
	14	L 800Hz	-18.0dB ~ +18.0dB	0dB
	15	L 1.0kHz	-18.0dB ~ +18.0dB	0dB
	16	L 1.25kHz	-18.0dB ~ +18.0dB	0dB
	17	L 1.6kHz	-18.0dB ~ +18.0dB	0dB
	18	L 2.0kHz	-18.0dB ~ +18.0dB	0dB
	19	L 2.5kHz	-18.0dB ~ +18.0dB	0dB
	20	L 3.2kHz	-18.0dB ~ +18.0dB	0dB
	21	L 4.0kHz	-18.0dB ~ +18.0dB	0dB
	22	L 5.0kHz	-18.0dB ~ +18.0dB	0dB
	23	L 6.3kHz	-18.0dB ~ +18.0dB	0dB
	24	L 8.0kHz	-18.0dB ~ +18.0dB	0dB
	25	L 10kHz	-18.0dB ~ +18.0dB	0dB
	26	L 13kHz	-18.0dB ~ +18.0dB	0dB
	27	L 16kHz	-18.0dB ~ +18.0dB	0dB
	28	L HPF	THRU, 20Hz ~ 16.0kHz	THRU
	29	L LPF	20Hz ~ 16.0kHz. THRU	THRU
	30	L NOTCH1	47Hz ~ 16.0kHz. THRU	THRU
	31	L NOTCH2	47Hz ~ 16.0kHz. THRU	THRU
	32	L NOTCH3	47Hz ~ 16.0kHz. THRU	THRU
 BYPASS	1	BYPASS	ON, OFF	OFF

12. GEQ 1/3 oct Rch N

This is a 27-band monaural "graphic" equalizer covering a 40 Hz — 16 kHz frequency range. The control range for each band is from -18 dB to +18 dB. The Q (bandwidth) of each 1/3-octave band is 4.5. This program also includes a variable high-pass filter, a variable low-pass filter and a three-band notch filter. The equalizer and filters function on the right channel only. The left channel is bypassed (THRU).

C'est un égaliseur "graphique" mono à 27 bandes qui couvre une plage de fréquence de 40Hz à 16kHz. La plage de contrôle de chaque bande varie de -18dB à +18dB. Le facteur "Q" (largeur de bande) de chaque bande de 1/3 d'octave est de 4,5. Cette programmation inclut également un filtre passe-haut et un filtre passe-bas variables, ainsi qu'un filtre à encoches à trois bandes. Les fonctions d'égalisation portent uniquement sur le canal droit et le canal gauche est dérivé (THRU).

Es handelt sich hier um einen Mono-"Grafikequalizer" mit 27 Bändern, der den Frequenzbereich von 40 Hz bis 16 kHz abdeckt. Der Einstellbereich für jedes Band reicht von -18 dB bis +18 dB. Der Q-Wert (Güte) jedes 1/3-Oktavbands beträgt 4,5. Dieses Programm verfügt außerdem über einen variablen Hochpaß- und Tiefpaßfilter sowie über einen 3-Band-Kerbfilter. Die Signalverzerrung und -filterung erfolgt ausschließlich auf dem rechten Kanal. Der linke Kanal wird überbrückt (THRU).

PARAMETER SELECT KEY TOUCHE DE SÉLECTION DE PARAMÈTRE TASTE FÜR PARAMETERWAHL	No. N ° Nr.	PARAMETER PARAMÈTRE PARAMETER	RANGE PLAGE EINSTELLBEREICH	PRESET VALUE VALEUR PRÉRÉGLÉE VORGESTELLTER WERT
DELAY/ LEVEL	1	L DELAY	Oms ~ 738ms	Oms
			Omm ~ 251m	Omm
			Oi ~ 822f	Oi
	2	R DELAY	Oms ~ 738ms	Oms
Omm ~ 251m			Omm	
Oi ~ 822f			Oi	
3	L OUT LEVEL	0 ~ 100	100	
4	R OUT LEVEL	0 ~ 100	100	
PARAM- ETER	1	R 40Hz	-18.0dB ~ +18.0dB	0dB
	2	R 50Hz	-18.0dB ~ +18.0dB	0dB
	3	R 63Hz	-18.0dB ~ +18.0dB	0dB
	4	R 80Hz	-18.0dB ~ +18.0dB	0dB
	5	R 100Hz	-18.0dB ~ +18.0dB	0dB
	6	R 125Hz	-18.0dB ~ +18.0dB	0dB
	7	R 160Hz	-18.0dB ~ +18.0dB	0dB
	8	R 200Hz	-18.0dB ~ +18.0dB	0dB
	9	R 250Hz	-18.0dB ~ +18.0dB	0dB
	10	R 320Hz	-18.0dB ~ +18.0dB	0dB
	11	R 400Hz	-18.0dB ~ +18.0dB	0dB
	12	R 500Hz	-18.0dB ~ +18.0dB	0dB
	13	R 630Hz	-18.0dB ~ +18.0dB	0dB
	14	R 800Hz	-18.0dB ~ +18.0dB	0dB
	15	R 1.0kHz	-18.0dB ~ +18.0dB	0dB
	16	R 1.25kHz	-18.0dB ~ +18.0dB	0dB
	17	R 1.6kHz	-18.0dB ~ +18.0dB	0dB
	18	R 2.0kHz	-18.0dB ~ +18.0dB	0dB
	19	R 2.5kHz	-18.0dB ~ +18.0dB	0dB
	20	R 3.2kHz	-18.0dB ~ +18.0dB	0dB
	21	R 4.0kHz	-18.0dB ~ +18.0dB	0dB
	22	R 5.0kHz	-18.0dB ~ +18.0dB	0dB
	23	R 6.3kHz	-18.0dB ~ +18.0dB	0dB
	24	R 8.0kHz	-18.0dB ~ +18.0dB	0dB
	25	R 10kHz	-18.0dB ~ +18.0dB	0dB
	26	R 13kHz	-18.0dB ~ +18.0dB	0dB
	27	R 16kHz	-18.0dB ~ +18.0dB	0dB
	28	R HPF	THRU, 20Hz ~ 16.0kHz	THRU
	29	R LPF	20Hz ~ 16.0kHz	THRU
	30	R NOTCH1	47Hz ~ 16.0kHz	THRU
	31	R NOTCH2	47Hz ~ 16.0kHz	THRU
	32	R NOTCH3	47Hz ~ 16.0kHz	THRU
BYPASS	1	BYPASS	ON, OFF	OFF
	X			

13. PEQ (4+4) L=R

A 4-band parametric equalizer. Each band offers independent frequency control in 1/12-octave steps over a 20 Hz — 16 kHz frequency range, ± 18 dB gain control, and Q (bandwidth) control from 0.1 to 10. The left and right channel parameters are programmed simultaneously and are always equal (L=R).

CAUTION: If two or more boosted bands overlap the resulting gain increase may cause the CLIP LED to light. In this case, reduce the input level setting.

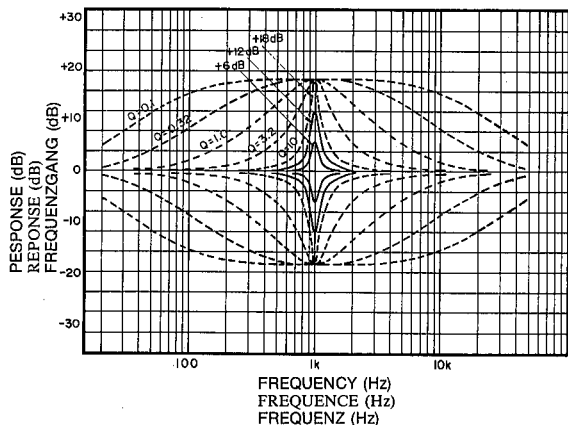
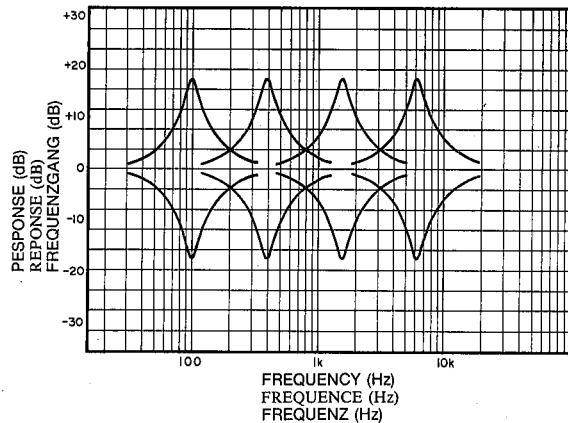
C'est un égaliseur paramétrique à 4 bandes. Chaque bande offre un réglage de fréquence indépendant par intervalles d'1/12 d'octave, sur une plage de fréquence de 20Hz à 16kHz, un contrôle de gain de ± 18 dB et un facteur "Q" (largeur de bande) de 0,1 à 10. Les paramètres des canaux gauche et droit sont programmés de manière simultanée et sont toujours égaux (G=D).

ATTENTION: Si plusieurs bandes accentuées se chevauchent, l'augmentation du gain qui en résulte peut provoquer l'allumage du témoin à DEL CLIP. Dans ce cas, réduire le réglage du niveau d'entrée.

Es handelt sich um einen Parameter-Equalizer mit 4 Bändern. Jedes Band ermöglicht individuelle Frequenzeinstellung in 1/12-Oktavschritten über einen Bereich von 20 Hz bis 16 kHz, Verstärkungsregelung zwischen +18 dB und eine Einstellung des Q-Werts (Güte) zwischen 0,1 und 10. Die Parameter für den linken und rechten Kanal werden gleichzeitig programmiert und sind stets identisch (L=R).

VORSICHT: Falls sich zwei oder mehr angehobene Bänder gegenseitig überlappen, kann durch die daraus resultierende Verstärkungszunahme die Begrenzungsanzeige ansprechen (LED-Anzeige CLIP leuchtet). In diesem Fall den Eingangspegel reduzieren.

PARAMETER SELECT KEY TOUCHE DE SÉLECTION DE PARAMÈTRE TASTE FÜR PARAMETERWAHL	No. N° Nr.	PARAMETER PARAMÈTRE PARAMETER	RANGE PLAGE EINSTELLBEREICH	PRESET VALUE VALEUR PRÉREGLÉE VORGESTELLTER WERT
DELAY/LEVEL	1	L DELAY	0ms ~ 738ms	0ms
			0mm ~ 251m	0mm
	2	R DELAY	0i ~ 822f	0i
			0ms ~ 738ms	0ms
PARAMETER	3	L OUT LEVEL	0 ~ 100	100
	4	R OUT LEVEL	0 ~ 100	100
	1	BAND1 (F)	20Hz ~ 16.0kHz	100Hz
	2	BAND1 (G)	-18.0dB ~ +18.0dB	0dB
	3	BAND1 (Q)	0.10 ~ 10	1.0
	4	BAND2 (F)	20Hz ~ 16.0kHz	400Hz
	5	BAND2 (G)	-18.0dB ~ +18.0dB	0dB
	6	BAND2 (Q)	0.10 ~ 10	1.0
	7	BAND3 (F)	20Hz ~ 16.0kHz	1.60kHz
	8	BAND3 (G)	-18.0dB ~ +18.0dB	0dB
	9	BAND3 (Q)	0.10 ~ 10	1.0
	10	BAND4 (F)	20Hz ~ 16.0kHz	6.30kHz
BYPASS	11	BAND4 (G)	-18.0dB ~ +18.0dB	0dB
	12	BAND4 (Q)	0.10 ~ 10	1.0
	1	BYPASS	ON, OFF	OFF



14. PEQ (4+4) L/R

A 4-band parametric equalizer. Each band offers independent frequency control in 1/12-octave steps over a 20 Hz — 16 kHz frequency range, ± 18 dB gain control, and Q (bandwidth) control from 0.1 to 10. The left and right channel parameters are programmed independently (L/R).



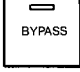
CAUTION: If two or more boosted bands overlap the resulting gain increase may cause the CLIP LED to light. In this case, reduce the input level setting.

C'est un égaliseur paramétrique à 4 bandes. Chaque bande offre un réglage de fréquence indépendant par intervalles de 1/12 d'octave, sur une plage de fréquence de 20Hz à 16kHz, un contrôle de gain de ± 18 dB et un facteur "Q" (largeur de bande) de 0,1 à 10. Les paramètres des canaux gauche et droit sont programmés de manière indépendante (G/D).

ATTENTION: Si plusieurs bandes accentuées se chevauchent, l'augmentation du gain qui en résulte peut provoquer l'allumage du témoin à DEL CLIP. Dans ce cas, réduire le réglage du niveau d'entrée.

Es handelt sich um einen Parameter-Equalizer mit 4 Bändern. Jedes Band ermöglicht individuelle Frequenzeinstellung in 1/12-Oktavschritten über einen Bereich von 20 Hz bis 16 kHz, Pegelregelung über +18 dB und eine Einstellung des Q-Werts (Güte) zwischen 0,1 und 10. Die Parameter für linken und rechten Kanal werden individuell programmiert (L/R).

VORSICHT: Falls sich zwei oder mehr angehobene Bänder gegenseitig überlappen, kann durch die daraus resultierende Verstärkungszunahme die Begrenzungsanzeige ansprechen (LED-Anzeige CLIP leuchtet). In diesem Fall den Eingangspiegel reduzieren.

PARAMETER SELECT KEY TOUCHE DE SÉLECTION DE PARAMÈTRE TASTE FÜR PARAMETERWAHL	No. N° Nr.	PARAMETER PARAMÈTRE PARAMETER	RANGE PLAGE EINSTELLBEREICH	PRESET VALUE VALEUR PRÉRÉGLÉE VOREINGESTELLTER WERT
	1	L DELAY	0ms ~ 738ms 0mm ~ 251m 0i ~ 822f	0ms 0mm 0i
	2	R DELAY	0ms ~ 738ms 0mm ~ 251m 0i ~ 822f	0ms 0mm 0i
	3	L OUT LEVEL	0 ~ 100	100
	4	R OUT LEVEL	0 ~ 100	100
	1	L BAND1 (F)	20Hz ~ 16.0kHz	100Hz
	2	L BAND1 (G)	-18.0dB ~ +18.0dB	0dB
	3	L BAND1 (Q)	0.10 ~ 10	1.0
	4	L BAND2 (F)	20Hz ~ 16.0kHz	400Hz
	5	L BAND2 (G)	-18.0dB ~ +18.0dB	0dB
	6	L BAND2 (Q)	0.10 ~ 10	1.0
	7	L BAND3 (F)	20Hz ~ 16.0kHz	1.60kHz
	8	L BAND3 (G)	-18.0dB ~ +18.0dB	0dB
	9	L BAND3 (Q)	0.10 ~ 10	1.0
	10	L BAND4 (F)	20Hz ~ 16.0kHz	6.30kHz
	11	L BAND4 (G)	-18.0dB ~ +18.0dB	0dB
	12	L BAND4 (Q)	0.10 ~ 10	1.0
	13	R BAND1 (F)	20Hz ~ 16.0kHz	100Hz
	14	R BAND1 (G)	-18.0dB ~ +18.0dB	0dB
	15	R BAND1 (Q)	0.10 ~ 10	1.0
	16	R BAND2 (F)	20Hz ~ 16.0kHz	400Hz
	17	R BAND2 (G)	-18.0dB ~ +18.0dB	0dB
	18	R BAND2 (Q)	0.10 ~ 10	1.0
	19	R BAND3 (F)	20Hz ~ 16.0kHz	1.60kHz
	20	R BAND3 (G)	-18.0dB ~ +18.0dB	0dB
	21	R BAND3 (Q)	0.10 ~ 10	1.0
	22	R BAND4 (F)	20Hz ~ 16.0kHz	6.30kHz
	23	R BAND4 (G)	-18.0dB ~ +18.0dB	0dB
	24	R BAND4 (Q)	0.10 ~ 10	1.0
	1	BYPASS	ON, OFF	OFF

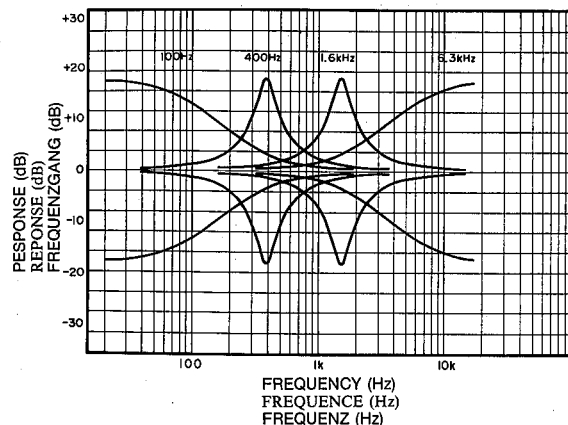
15. PEQ + SHELV. L/R N

A 2-band parametric equalizer plus variable low and high shelving equalizers. Each parametric EQ band offers independent frequency control in 1/12-octave steps over a 20 Hz — 16 kHz frequency range, ± 18 dB gain control, and Q (bandwidth) control from 0.1 to 10. The low and high shelving equalizers offer both frequency and gain control. The left and right channel parameters are programmed independently (L/R). This program also includes a variable high-pass filter, a variable low-pass filter and a three-band notch filter.

C'est un égaliseur paramétrique à 2 bandes, avec en plus des égaliseurs d'étagement haut et bas variables. Chaque bande d'égalisation paramétrique offre un réglage de fréquence indépendant par intervalles de 1/12 d'octave, sur une plage de fréquence de 20Hz à 16kHz, un contrôle de gain de ± 18 dB et un facteur "Q" (largeur de bande) de 0,1 à 10. Les égaliseurs d'étagement haut et bas offrent à la fois un contrôle de fréquence et de gain. Les paramètres des canaux gauche et droit sont programmés de manière indépendante (G/D). Cette programmation inclut également un filtre passe-haut et un filtre passe-bas variables, ainsi qu'un filtre à encoches à trois bandes (NOTCH).

Es handelt sich um einen Parameter-Equalizer mit 2 Bändern und zusätzlicher Kuhschwanzregelung. Jedes parametrische EQ-Band ermöglicht individuelle Frequenzeinstellung in 1/12-Oktavschritten über einen Bereich von 20 Hz bis 16 kHz, Verstärkungsregelung von +18 dB und eine Einstellung des Q-Werts (Güte) zwischen 0,1 und 10. Der Kuhschwanzentzerrer läßt sich im oberen und unteren Bereich in Frequenz und Verstärkung verändern. Die Parameter für den linken und rechten Kanal werden individuell programmiert (L/R). Dieses Programm verfügt außerdem über einen variablen Hochpaß- und Tiefpaßfilter sowie über einen 3-Band-Kerbfilter.

PARAMETER SELECT KEY TOUCHER DE SÉLECTION DE PARAMÈTRE TASTE FÜR PARAMETERWAHL	No. N° Nr.	PARAMETER PARAMÈTRE PARAMETER	RANGE PLAGE EINSTELLBEREICH	PRESET VALUE VALEUR PRÉRÉGLÉE VOREINGESTELLTER WERT
DELAY/ LEVEL	1	L DELAY	0ms ~ 738ms 0mm ~ 251m 0i ~ 822f	0ms 0mm 0i
	2	R DELAY	0ms ~ 738ms 0mm ~ 251m 0i ~ 822f	0ms 0mm 0i
	3	L OUT LEVEL	0 ~ 100	100
	4	R OUT LEVEL	0 ~ 100	100
PARAM- ETER	1	L BAND1 (F)	20Hz ~ 16.0kHz	400Hz
	2	L BAND1 (G)	-18.0dB ~ +18.0dB	0dB
	3	L BAND1 (Q)	0.10 ~ 10	1.0
	4	L BAND2 (F)	20Hz ~ 16.0kHz	1.60kHz
	5	L BAND2 (G)	-18.0dB ~ +18.0dB	0dB
	6	L BAND2 (Q)	0.10 ~ 10	1.0
	7	L BASS (F)	20Hz ~ 1.20kHz	100Hz
	8	L BASS (G)	-18.0dB ~ +18.0dB	0dB
	9	L TREBLE (F)	800Hz ~ 16.0kHz	6.30kHz
	10	L TREBLE (G)	-18.0dB ~ +18.0dB	0dB
	11	R BAND1 (F)	20Hz ~ 16.0kHz	400Hz
	12	R BAND1 (G)	-18.0dB ~ +18.0dB	0dB
	13	R BAND1 (Q)	0.10 ~ 10	1.0
	14	R BAND2 (F)	20Hz ~ 16.0kHz	1.60kHz
	15	R BAND2 (G)	-18.0dB ~ +18.0dB	0dB
	16	R BAND2 (Q)	0.10 ~ 10	1.0
	17	R BASS (F)	20Hz ~ 1.20kHz	100Hz
	18	R BASS (G)	-18.0dB ~ +18.0dB	0dB
	19	R TREBLE (F)	800Hz ~ 16.0kHz	6.30kHz
	20	R TREBLE (G)	-18.0dB ~ +18.0dB	0dB
	21	HPF	THRU, 20Hz ~ 16.0kHz	THRU
	22	LPF	20Hz ~ 16.0kHz, THRU	THRU
	23	NOTCH 1	47Hz ~ 16.0kHz, THRU	THRU
	24	NOTCH 2	47Hz ~ 16.0kHz, THRU	THRU
	25	NOTCH 3	47Hz ~ 16.0kHz, THRU	THRU
BYPASS	1	BYPASS	ON, OFF	OFF



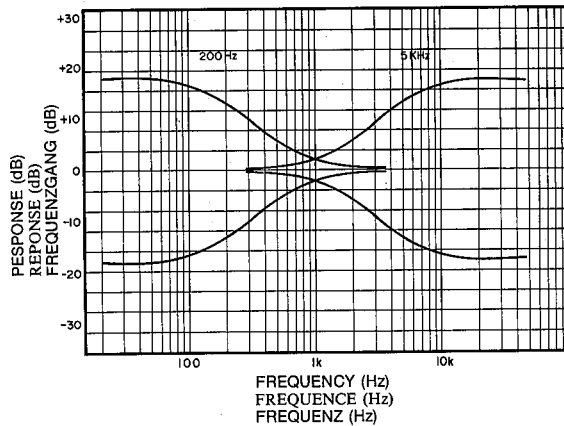
16. TONE CONTROL L=R

This program simulates a simple bass/treble tone control of the type commonly found on home audio equipment. The bass range rolloff frequency is 200 Hz and the treble rolloff is at 5 kHz. The bass and treble ranges can be boosted or cut by up to 18 dB. The left and right channel parameters are programmed simultaneously and are always equal (L=R).

Cette programmation simule un simple réglage de tonalités basses/aiguës du type communément trouvé dans les appareils audio domestiques. La fréquence de coupure graduelle de la plage des basses est à 200Hz et la fréquence de coupure graduelle de la plage des aigus est à 5kHz. Les plages des basses et des aigus peuvent être accentuées ou coupées jusqu'à 18dB. Les paramètres des canaux gauche et droit sont programmés de manière simultanée et sont toujours égaux (G=D).

Dieses Programm simuliert einen einfachen Regler für Bässe/Höhen, wie er bei den herkömmlichen HiFi-Stereoanlagen zu finden ist. Bei den Bässen beträgt die Grenzfrequenz 200 Hz und bei den Höhen 5 kHz. Baß- und Höhenbereich können jeweils um 18 dB angehoben oder gedämpft werden. Die Parameter für rechten und linken Kanal werden gleichzeitig programmiert und sind stets identisch (L=R).

PARAMETER SELECT KEY TOUCHE DE SELECTION DE PARAMETRE TASTE FÜR PARAMETERWAHL	No. N° Nr.	PARAMETER PARAMETRE PARAMETER	RANGE PLAGE EINSTELLBEREICH	PRESET VALUE VALEUR PREREGLEE VORINGESTELLTER WERT
DELAY/ LEVEL	1	L DELAY	0ms ~ 738ms	0ms
			0mm ~ 251m	0mm
	2	R DELAY	0i ~ 822f	0i
			0ms ~ 738ms	0ms
			0mm ~ 251m	0mm
			0i ~ 822f	0i
PARAMETER	3	L OUT LEVEL	0 ~ 100	100
	4	R OUT LEVEL	0 ~ 100	100
BYPASS	1	BASS(200Hz)	-18.0dB ~ +18.0dB	0dB
	2	TREBLE(5kHz)	-18.0dB ~ +18.0dB	0dB
	1	BYPASS	ON, OFF	OFF



17. TONE CONTROL L/R

This program simulates a simple bass/treble tone control of the type commonly found on home audio equipment. The bass range rolloff frequency is 200 Hz and the treble rolloff is at 5 kHz. The bass and treble ranges can be boosted or cut by up to 18 dB. The left and right channel parameters are programmed independently (L/R).

Cette programmation simule un simple réglage de tonalités basses/aiguës du type communément trouvé dans les appareils audio domestiques. La fréquence de coupure graduelle de la plage des basses est à 200Hz et la fréquence de coupure graduelle de la plage des aigus est à 5kHz. Les plages des basses et des aigus peuvent être accentuées ou coupées jusqu'à 18dB. Les paramètres des canaux gauche et droit sont programmés de manière indépendante (G/D).

Dieses Programm simuliert einen einfachen Regler für Bässe/Höhen, wie er bei den herkömmlichen HiFi-Stereoanlagen zu finden ist. Bei den Bässen beträgt die Grenzfrequenz 200 Hz und bei den Höhen 5 kHz. Baß- und Höhenbereich können jeweils um 18 dB angehoben oder gedämpft werden. Die Parameter für rechten und linken Kanal werden individuell programmiert (L/R).

PARAMETER SELECT KEY TOUCHE DE SÉLECTION DE PARAMÈTRE TASTE FÜR PARAMETERWAHL	No. N ° Nr.	PARAMETER PARAMÈTRE PARAMETER	RANGE PLAGE EINSTELLBEREICH	PRESET VALUE VALEUR PRÉRÉGLÉE VORINGESTELLTER WERT
DELAY/LEVEL	1	L DELAY	0ms ~ 738ms 0mm ~ 251m 0i ~ 822f	0ms 0mm 0i
	2	R DELAY	0ms ~ 738ms 0mm ~ 251m 0i ~ 822f	0ms 0mm 0i
	3	L OUT LEVEL	0 ~ 100	100
	4	R OUT LEVEL	0 ~ 100	100
PARAMETER	1	L BASS(200Hz)	-18.0dB ~ +18.0dB	0dB
	2	L TREBLE(5kHz)	-18.0dB ~ +18.0dB	0dB
	3	R BASS(200Hz)	-18.0dB ~ +18.0dB	0dB
	4	R TREBLE(5kHz)	-18.0dB ~ +18.0dB	0dB
BYPASS	1	BYPASS	ON, OFF	OFF

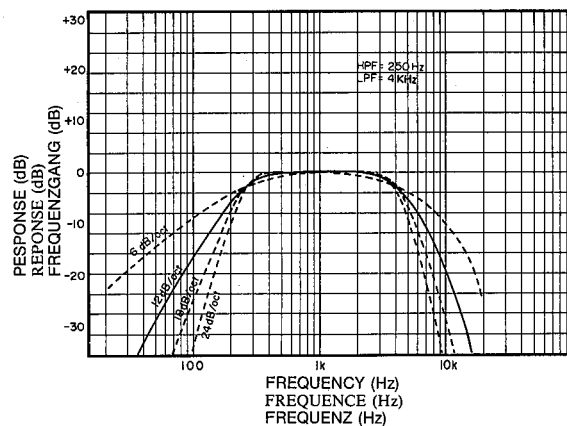
18. BAND PASS L=R

An extremely versatile bandpass filter that permits the creation of virtually any type of bandpass response by combining variable high-pass and low-pass filters in series. Both the frequency and the slope of the high-pass and low-pass filters are variable. The left and right channel parameters are programmed simultaneously and are always equal (L=R).

Un filtre passe-bande très versatile qui permet de créer pratiquement tout type de réponse de passe-bande en combinant en série les filtres passe-haut et passe-bas variables. La fréquence et la pente des filtres passe-haut et passe-bas sont variables. Les paramètres des canaux gauche et droit sont programmés de manière simultanée et sont toujours égaux (G=D).

Hierbei handelt es sich um einen äußerst vielseitigen Bandpaßfilter, mit dessen Hilfe durch "Reihenschaltung" von variablen Hoch- und Tiefpaßfiltern praktisch jede Art von Bandpaßfrequenzgang erzeugt werden kann. Sowohl Frequenz- als auch Flankenwerte der Hoch- und Tiefpaßfilter sind variabel. Die Parameter für linken und rechten Kanal werden gleichzeitig programmiert und sind daher stets identisch (L=R).

PARAMETER SELECT KEY TOUCHE DE SELECTION DE PARAMETRE TASTE FÜR PARAMETERWAHL	No. N° Nr.	PARAMETER PARAMETRE PARAMETER	RANGE PLAGE EINSTELLBEREICH	PRESET VALUE VALEUR PREREGLEE VOREINGESTELLTER WERT
DELAY/LEVEL	1	L DELAY	0ms ~ 738ms	0ms
			0mm ~ 251m	0mm
	2	R DELAY	0ms ~ 738ms	0ms
			0mm ~ 251m	0mm
PARAMETER	3	L OUT LEVEL	0 ~ 100	100
	4	R OUT LEVEL	0 ~ 100	100
	1	HPF (F)	THRU, 20Hz ~ 16.0kHz	300Hz
	2	HPF (SLOPE)	6dB, 12dB, 18dB, 24dB/oct	12dB/oct
BYPASS	3	LPF (F)	20Hz ~ 16.0kHz, THRU	3.0kHz
	4	LPF (SLOPE)	6dB, 12dB, 18dB, 24dB/oct	12dB/oct
	1	BYPASS	ON, OFF	OFF



19. BAND PASS L/R

An extremely versatile bandpass filter that permits the creation of virtually any type of bandpass response by combining variable high-pass and low-pass filters in series. Both the frequency and the slope of the high-pass and low-pass filters are variable. The left and right channel parameters are programmed independently (L/R).

Un filtre passe-bande très versatile qui permet de créer pratiquement tout type de réponse de passe-bande en combinant en série les filtres passe-haut et passe-bas variables. La fréquence et la pente des filtres passe-haut et passe-bas sont variables. Les paramètres des canaux gauche et droit sont programmés de manière indépendante (G/D).

Hierbei handelt es sich um einen äußerst vielseitigen Bandpaßfilter, mit dessen Hilfe durch "Reihenschaltung" von variablen Hoch- und Tiefpaßfiltern praktisch jede Art von Bandpaßfrequenzgang erzeugt werden kann. Sowohl Frequenz- als auch Flankenwerte der Hoch- und Tiefpaßfilter sind variabel. Die Parameter für linken und rechten Kanal sind individuell zu programmieren (L/R).

PARAMETER SELECT KEY TOUCHE DE SELECTION DE PARAMETRE TASTE FÜR PARAMETERWAHL	No. N ° Nr.	PARAMETER PARAMETRE PARAMETER	RANGE PLAGE EINSTELLBEREICH	PRESET VALUE VALEUR PREREGLEE VOREINGESTELLTER WERT
DELAY/ LEVEL	1	L DELAY	0ms ~ 738ms	0ms
			0mm ~ 251m	0mm
	2	R DELAY	0i ~ 822f	0i
			0ms ~ 738ms	0ms
PARAM- ETER	3	L OUT LEVEL	0 ~ 100	100
	4	R OUT LEVEL	0 ~ 100	100
	1	L HPF (F)	THRU, 20Hz ~ 16.0kHz	300Hz
	2	L HPF (SLOPE)	6dB, 12dB, 18dB, 24dB/oct	12dB/oct
	3	L LPF (F)	20Hz ~ 16.0kHz, THRU	3.00kHz
	4	L LPF (SLOPE)	6dB, 12dB, 18dB, 24dB/oct	12dB/oct
	5	R HPF (F)	THRU, 20Hz ~ 16.0kHz	300Hz
	6	R HPF (SLOPE)	6dB, 12dB, 18dB, 24dB/oct	12dB/oct
BYPASS	7	R LPF (F)	20Hz ~ 16.0kHz, THRU,	3.00kHz
	8	R LPF (SLOPE)	6dB, 12dB, 18dB, 24dB/oct	12dB/oct
	1	BYPASS	ON, OFF	OFF

20. BAND PASS L/R N

An extremely versatile bandpass filter that permits the creation of virtually any type of bandpass response by combining variable high-pass and low-pass filters in series. Both the frequency and the slope of the high-pass and low-pass filters are variable. The left and right channel parameters are programmed independently (L/R). This program also includes a three-band notch filter.

Un filtre passe-bande très versatile qui permet de créer pratiquement tout type de réponse de passe-bande en combinant en série les filtres passe-haut et passe-bas variables. La fréquence et la pente des filtres passe-haut et passe-bas sont variables. Les paramètres des canaux gauche et droit sont programmés de manière indépendante (G/D). Cette programmation inclut également un filtre à encoches à trois bandes (NOTCH).

Hierbei handelt es sich um einen äußerst vielseitigen Bandpaßfilter, mit dessen Hilfe durch "Reihenschaltung" von variablen Hoch- und Tiefpaßfiltern praktisch jede Art von Bandpaßfrequenzgang erzeugt werden kann. Sowohl Frequenz- als auch Flankenwerte der Hoch- und Tiefpaßfilter sind variabel. Die Parameter für linken und rechten Kanal werden individuell programmiert (L/R). Dieses Programm verfügt auch über einen 3-Band-Kerbfilter.

PARAMETER SELECT KEY TOUCHE DE SÉLECTION DE PARAMÈTRE TASTE FÜR PARAMETERWAHL	No. N° Nr.	PARAMETER PARAMÈTRE PARAMETER	RANGE PLAGE EINSTELLBEREICH	PRESET VALUE VALEUR PRÉREGLÉE VORANGESTELLTER WERT
DELAY/ LEVEL	1	L DELAY	0ms ~ 738ms	0ms
			0mm ~ 251m	0mm
			0i ~ 822f	0i
	2	R DELAY	0ms ~ 738ms	0ms
0mm ~ 251m			0mm	
0i ~ 822f			0i	
PARAM- ETER	3	L OUT LEVEL	0 ~ 100	100
	4	R OUT LEVEL	0 ~ 100	100
	1	L HPF (F)	THRU, 20Hz ~ 16.0kHz	300Hz
	2	L HPF (SLOPE)	6dB, 12dB, 18dB, 24dB/oct	12dB/oct
	3	L LPF (F)	20Hz ~ 16.0kHz, THRU	3.00kHz
	4	L LPF (SLOPE)	6dB, 12dB, 18dB, 24dB/oct	12dB/oct
	5	R HPF (F)	THRU, 20Hz ~ 16.0kHz	300Hz
	6	R HPF (SLOPE)	6dB, 12dB, 18dB, 24dB/oct	12dB/oct
	7	R LPF (F)	20Hz ~ 16.0kHz, THRU	3.00kHz
	8	R LPF (SLOPE)	6dB, 12dB, 18dB, 24dB/oct	12dB/oct
	9	NOTCH 1	47Hz ~ 16.0kHz, THRU	THRU
10	NOTCH 2	47Hz ~ 16.0kHz, THRU	THRU	
11	NOTCH 3	47Hz ~ 16.0kHz, THRU	THRU	
BYPASS	1	BYPASS	ON, OFF	OFF

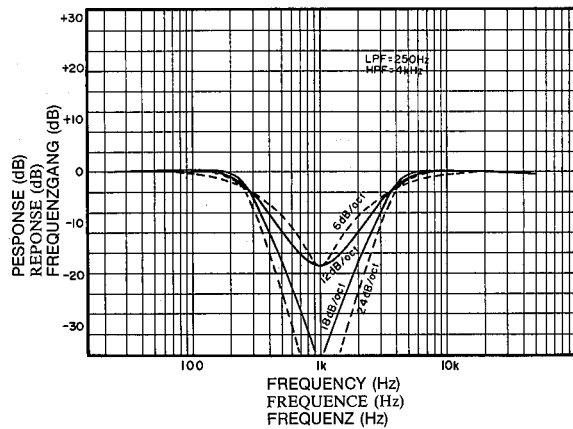
21. BAND REJECT L=R

An extremely flexible band rejection filter that permits the creation of virtually any type of band rejection response by combining variable high-pass and low-pass filters in parallel. Both the frequency and the slope of the high-pass and low-pass filters are variable. The left and right channel parameters are programmed simultaneously and are always equal (L=R).

Un filtre coupe-bande extrêmement souple qui permet de créer pratiquement tout type de réponse de coupe-bande en combinant en parallèle les filtres passe-haut et passe-bas variables. La fréquence et la pente des filtres passe-haut et passe-bas sont variables. Les paramètres des canaux gauche et droit sont programmés de manière simultanée et sont toujours égaux (G=D).

Hierbei handelt es sich um einen äußerst vielseitigen Bandsperrfilter, mit dessen Hilfe durch "Parallelschaltung" von variablen Hoch- und Tiefpaßfiltern praktisch jede Art von Bandsperrfrequenzgang erzeugt werden kann. Sowohl Frequenz- als auch Flankenwerte der Hoch- und Tiefpaßfilter sind variabel. Die Parameter für linken und rechten Kanal werden gleichzeitig programmiert und sind stets identisch (L=R).

PARAMETER SELECT KEY TOUCHÉ DE SÉLECTION DE PARAMÈTRE TASTE FÜR PARAMETERWAHL	No. N° Nr.	PARAMETER PARAMÈTRE PARAMETER	RANGE PLAGE EINSTELLBEREICH	PRESET VALUE VALEUR PRÉRÉGLÉE VORGESTELLTER WERT
DELAY/ LEVEL	1	L DELAY	0ms ~ 738ms 0mm ~ 251m 0i ~ 822f	0ms 0mm 0i
	2	R DELAY	0ms ~ 738ms 0mm ~ 251m 0i ~ 822f	0ms 0mm 0i
	3	L OUT LEVEL	0 ~ 100	100
	4	R OUT LEVEL	0 ~ 100	100
PARAM- ETER	1	LPF (F)	20Hz ~ 16.0kHz, THRU	300Hz
	2	LPF (SLOPE)	6dB, 12dB, 18dB, 24dB/oct	12dB/oct
	3	HPF (F)	THRU, 20Hz ~ 16.0kHz	3.00kHz
	4	HPF (SLOPE)	6dB, 12dB, 18dB, 24dB/oct	12dB/oct
BYPASS	1	BYPASS	ON, OFF	OFF



22. BAND REJECT L/R

An extremely flexible band rejection filter that permits the creation of virtually any type of band rejection response by combining variable high-pass and low-pass filters in parallel. Both the frequency and the slope of the high-pass and low-pass filters are variable. The left and right channel parameters are programmed independently (L/R).

Un filtre coupe-bande extrêmement souple qui permet de créer pratiquement tout type de réponse de coupe-bande en combinant en parallèle les filtres passe-haut et passe-bas variables. La fréquence et la pente des filtres passe-haut et passe-bas sont variables. Les paramètres des canaux gauche et droit sont programmés de manière indépendante (G/D).

Hierbei handelt es sich um einen äußerst vielseitigen Bandsperfilter, mit dessen Hilfe durch "Parallelschaltung" von variablen Hoch- und Tiefpaßfiltern praktisch jede Art von Bandsperfrequenzgang erzeugt werden kann. Sowohl Frequenz- als auch Flankenwerte der Hoch- und Tiefpaßfilter sind variabel. Die Parameter für linken und rechten Kanal werden individuell programmiert (L/R).



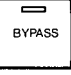
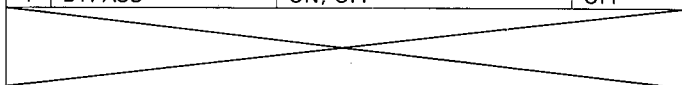
PARAMETER SELECT KEY TOUCHE DE SÉLECTION DE PARAMÈTRE TASTE FÜR PARAMETERWAHL	No. N ° Nr.	PARAMETER PARAMÈTRE PARAMETER	RANGE PLAGE EINSTELLBEREICH	PRESET VALUE VALEUR PRÉREGLÉE VORINGESTELLTER WERT
DELAY/ LEVEL	1	L DELAY	0ms ~ 738ms	0ms
			0mm ~ 251m	0mm
			0i ~ 822f	0i
	2	R DELAY	0ms ~ 738ms	0ms
0mm ~ 251m			0mm	
0i ~ 822f			0i	
PARAM- ETER	3	L OUT LEVEL	0 ~ 100	100
	4	R OUT LEVEL	0 ~ 100	100
	1	L LPF (F)	20Hz ~ 16.0kHz, THRU,	300Hz
	2	L LPF (SLOPE)	6dB, 12dB, 18dB, 24dB/oct	12dB/oct
	3	L HPF (F)	THRU, 20Hz ~ 16.0kHz	3.00kHz
	4	L HPF (SLOPE)	6dB, 12dB, 18dB, 24dB/oct	12dB/oct
	5	R LPF (F)	20Hz ~ 16.0kHz, THRU	300Hz
	6	R LPF (SLOPE)	6dB, 12dB, 18dB, 24dB/oct	12dB/oct
BYPASS	7	R HPF (F)	THRU, 20Hz ~ 16.0kHz,	3.00kHz
	8	R HPF (SLOPE)	6dB, 12dB, 18dB, 24dB/oct	12dB/oct
BYPASS	1	BYPASS	ON; OFF	OFF

23. 4-PEQ, 6-NOTCH

This program incorporates a 4-band parametric equalizer for the left channel and 6 variable notch filters for the right channel. Variable high-pass and low-pass filters are also provided on the right channel. The left-channel parametric EQ bands have the same degree of frequency, gain and Q control as the parametric equalizers in program 13 (PEQ (4+4) L=R). The right-channel notch filters can individually be set at any frequency from 20 Hz to 16 kHz.

Cette programmation comprend un égaliseur paramétrique à 4 bandes pour le canal gauche et 6 filtres à encoches de fréquence variable pour le canal droit. Des filtres passe-haut et passe-bas variables sont également prévus pour le canal droit. Les bandes d'égalisation paramétrique du canal gauche ont les mêmes degrés de fréquences, gain et facteur Q que l'égaliseur paramétrique du programme 12 (PEQ (4 + 4) L=R). Les filtres à encoches du canal droit peuvent être réglés de manière individuelle sur toute fréquence, de 20Hz à 16kHz.

Dieses Programm umfaßt einen Parameter-Equalizer mit 4 Bändern für den linken Kanal und 6 variablen Kerbfiltern für den rechten Kanal. Außerdem verfügt der rechte Kanal auch über variable Hoch- und Tiefpaßfilter. Für die parametrischen EQ-Bänder des linken Kanals gelten in Bezug auf Frequenz, Verstärkung und Bandbreite (Q) die gleichen Werte wie für Programm 12 (PEQ (4+4) L=R). Die Kerbfilter des rechten Kanals können individuell auf jede Frequenz zwischen 20 Hz bis 16 kHz eingestellt werden.

PARAMETER SELECT KEY TOUCHE DE SÉLECTION DE PARAMÈTRE TASTE FÜR PARAMETERWAHL	No. N° Nr.	PARAMETER PARAMÈTRE PARAMETER	RANGE PLAGE EINSTELLBEREICH	PRESET VALUE VALEUR PRÉRÉGLÉE VORINGESTELLTER WERT
 DELAY/ LEVEL	1	L DELAY	0ms ~ 738ms	0ms
			0mm ~ 251m	0mm
			0i ~ 822f	0i
	2	R DELAY	0ms ~ 738ms	0ms
0mm ~ 251m			0mm	
0i ~ 822f			0i	
 PARAM- ETER	3	L OUT LEVEL	0 ~ 100	100
	4	R OUT LEVEL	0 ~ 100	100
	1	L BAND1 (F)	20Hz ~ 16.0Hz	100Hz
	2	L BAND1 (G)	-18.0dB ~ +18.0dB	0dB
	3	L BAND1 (Q)	0.10 ~ 10	1.0
	4	L BAND2 (F)	20Hz ~ 16.0kHz	400Hz
	5	L BAND2 (G)	-18.0dB ~ +18.0dB	0dB
	6	L BAND2 (Q)	0.10 ~ 10	1.0
	7	L BAND3 (F)	20Hz ~ 16.0kHz	1.60kHz
	8	L BAND3 (G)	-18.0dB ~ +18.0dB	0dB
	9	L BAND3 (Q)	0.10 ~ 10	1.0
	10	L BAND4 (F)	20Hz ~ 16.0kHz	6.30kHz
	11	L BAND4 (G)	-18.0dB ~ +18.0dB	0dB
	12	L BAND4 (Q)	0.10 ~ 10	1.0
	13	R NOTCH1	47Hz ~ 16.0kHz, THRU	THRU
	14	R NOTCH2	47Hz ~ 16.0kHz, THRU	THRU
	15	R NOTCH3	47Hz ~ 16.0kHz, THRU	THRU
	16	R NOTCH4	47Hz ~ 16.0kHz, THRU	THRU
	17	R NOTCH5	47Hz ~ 16.0kHz, THRU	THRU
	18	R NOTCH6	47Hz ~ 16.0kHz, THRU	THRU
19	R HPF	THRU, 20Hz ~ 16.0kHz	THRU	
20	R LPF	20Hz ~ 16.0kHz, THRU	THRU	
 BYPASS	1	BYPASS	ON, OFF	OFF
				

24. 6-NOTCH L/R

Six notch filters as well as high-pass and low-pass filters are independently provided for the left and right channels. The notch filters can be set at any frequency from 20 Hz to 16 kHz.

Six filtres à encoches, ainsi que des filtres passe-haut et passe-bas sont fournis indépendamment pour les canaux gauche et droit. Les filtres à encoches peuvent être réglés sur toute fréquence, de 20Hz à 16kHz.

Bei diesem Programm verfügen rechter und linker Kanal jeweils über sechs Kerbfilter sowie Hoch- und Tiefpaßfilter. Die Kerbfilter können individuell auf jede Frequenz zwischen 20 Hz bis 16 kHz eingestellt werden.


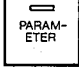
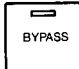
PARAMETER SELECT KEY TOUCHE DE SELECTION DE PARAMETRE TASTE FÜR PARAMETERWAHL	No. N° Nr.	PARAMETER PARAMETRE PARAMETER	RANGE PLAGE EINSTELLBEREICH	PRESET VALUE VALEUR PREREGLEE VOREINGESTELLTER WERT
DELAY/ LEVEL	1	L DELAY	0ms ~ 738ms	0ms
			0mm ~ 251m	0mm
			0i ~ 822f	0i
	2	R DELAY	0ms ~ 738ms	0ms
0mm ~ 251m			0mm	
0i ~ 822f			0i	
PARAM- ETER	3	L OUT LEVEL	0 ~ 100	100
	4	R OUT LEVEL	0 ~ 100	100
	1	L NOTCH1	47Hz ~ 16.0kHz, THRU	THRU
	2	L NOTCH2	47Hz ~ 16.0kHz, THRU	THRU
	3	L NOTCH3	47Hz ~ 16.0kHz, THRU	THRU
	4	L NOTCH4	47Hz ~ 16.0kHz, THRU	THRU
	5	L NOTCH5	47Hz ~ 16.0kHz, THRU	THRU
	6	L NOTCH6	47Hz ~ 16.0kHz, THRU	THRU
	7	L HPF	THRU, 20Hz ~ 16.0kHz	THRU
	8	L LPF	20Hz ~ 16.0kHz, THRU	THRU
	9	R NOTCH1	47Hz ~ 16.0kHz, THRU	THRU
	10	R NOTCH2	47Hz ~ 16.0kHz, THRU	THRU
	11	R NOTCH3	47Hz ~ 16.0kHz, THRU	THRU
	12	R NOTCH4	47Hz ~ 16.0kHz, THRU	THRU
	13	R NOTCH5	47Hz ~ 16.0kHz, THRU	THRU
	14	R NOTCH6	47Hz ~ 16.0kHz, THRU	THRU
15	R HPF	THRU, 20Hz ~ 16.0kHz	THRU	
16	R LPF	20Hz ~ 16.0kHz, THRU	THRU	
BYPASS	1	BYPASS	ON, OFF	OFF

25. DYN. PEQ FC.

This program creates a foot-controllable dynamic sweep peak-filter effect. The sweep is controlled either by a Yamaha FC7 or equivalent foot controller plugged into the front-panel FOOT CONTROL jack, or by a MIDI control change "foot control" or "note on" message received via the MIDI IN connector. The gain of the filter peak can be set to 6, 12 or 18 dB, the Q (bandwidth) of the filter response can be set to low or high, and you can select a rising or falling sweep.

Cette programmation crée un effet de balayage de fréquence dynamique, contrôlable au pied. Le balayage est contrôlé soit par une pédale de modulation au pied Yamaha FC7 ou équivalent, branché à la prise FOOT CONTROL du panneau avant, soit par un message MIDI de "control change" de type "foot control" ou de "note ON" sur l'entrée MIDI IN. Le gain du filtre de crête peut être réglé sur 6, 12, ou 18dB, le facteur "Q" (largeur de bande) de la réponse du filtre peut être réglé sur une position large ou étroite et il est possible de sélectionner un balayage montant ou descendant.

In diesem Programm kann per Schwellerpedal die Mittenfrequenz eines Glockenfilters beeinflusst werden. Dieser Glockenfilter läßt sich durch ein Yamaha-Schwellerpedal FC7 oder ein vergleichbares Gerät über die Buchse FOOT CONTROL der Frontkonsole steuern. Die Steuerung kann auch durch MIDI-Kontrollmeldungen (FOOT CONTROL-Buchse) oder Notenbefehle am MIDI-Eingang erfolgen. Der Spitzenpegel-Gain des Filters kann auf 6, 12 oder 18 dB eingestellt werden. Der Q-Wert (Güte) des Filterfrequenzgangs kann auf "Niedrig" oder "Hoch" gestellt werden und es stehen ansteigende oder abfallende Frequenzveränderungen zur Wahl.

PARAMETER SELECT KEY TOUCHÉ DE SÉLECTION DE PARAMÈTRE TASTE FÜR PARAMETERWAHL	No. N ° Nr.	PARAMETER PARAMÈTRE PARAMETER	RANGE PLAGE EINSTELLBEREICH	PRESET VALUE VALEUR PRÉRÉGLÉE VORINGESTELLTER WERT
	1	L DELAY	0ms ~ 738ms 0mm ~ 251m 0i ~ 822f	0ms 0mm 0i
	2	R DELAY	0ms ~ 738ms 0mm ~ 251m 0i ~ 822f	0ms 0mm 0i
	3	L OUT LEVEL	0 ~ 100	100
	4	R OUT LEVEL	0 ~ 100	100
	1	GAIN	6dB, 12dB, 18dB	12dB
	2	Q	Low, High	Low
	3	SHIFT	Up, Down	Up
	4	CONTROL	Ft. CTRL, MIDI Ft, NOTE #	Ft. CTRL
	1	BYPASS	ON, OFF	OFF

26. DYN. PEQ LEVEL

This program creates a dynamic sweep peak-filter effect controlled by the level of the input signal. A SENSITIVITY parameter determines the threshold input signal level before the filter sweep is activated, and a DECAY parameter determines how long it takes for the filter to sweep back to the center frequency after the input level drops below the SENSITIVITY level. The center frequency (F CENTER) can be set anywhere from 20 Hz to 16 kHz, and the sweep range (F DEPTH) can be set between 1 octave and 8 octaves. The gain of the filter peak can be set to 6, 12 or 18 dB, the Q (bandwidth) of the filter response can be set to low or high, and you can select a rising or falling sweep.

Cette programmation crée un effet de balayage de fréquence dynamique contrôlé par le niveau du signal d'entrée. Le paramètre SENSITIVITY (sensibilité) détermine le seuil du niveau du signal d'entrée avant que le filtre ne soit activé. Le paramètre DECAY (chute) détermine la durée nécessaire au filtre pour faire revenir le balayage sur la fréquence centrale, après que le niveau d'entrée est tombé en-dessous du niveau SENSITIVITY. La fréquence centrale (F CENTER) peut être réglée n'importe où, de 20Hz à 16kHz et la plage du balayage (F DEPTH) peut être réglée entre 1 octave et 8 octaves. Le gain du filtre peut être réglé à 6, 12, ou 18dB, le facteur "Q" (largeur de bande) de la largeur du filtre peut être réglé sur une position large ou étroite et il est possible de sélectionner un balayage montant ou descendant.

Die Mittenfrequenzänderung des Glockenfilters wird in diesem Programm vom Eingangssignalpegel gesteuert. Der Parameter SENSITIVITY (Empfindlichkeit) legt den Schwellenwert des Eingangssignals fest, und durch den Parameter DECAY (Abfalldauer) wird die Zeitspanne festgelegt, in der der Filter zur Mittenfrequenz zurückkehrt, nachdem der Eingangssignalpegel unter seinen Schwellenwert abgesunken ist. Die Mittenfrequenz (F CENTER) läßt sich auf einen beliebigen Wert zwischen 20 Hz und 16 kHz und der Frequenzhub (F DEPTH) zwischen einer Oktave und acht Oktaven einstellen. Die Verstärkung des Filterspitzenwerts kann auf 6, 12 oder 18 dB eingestellt werden. Der Q-Wert (Güte) des Filterfrequenzgangs kann auf "Niedrig" oder "Hoch" gestellt werden und es kann zwischen ansteigendem oder abfallendem Frequenzhub gewählt werden.

PARAMETER SELECT KEY TOUCHE DE SÉLECTION DE PARAMÈTRE TASTE FÜR PARAMETERWAHL	No. N° Nr.	PARAMETER PARAMÈTRE PARAMETER	RANGE PLAGE EINSTELLBEREICH	PRESET VALUE VALEUR PRÉRÉGLÉE VOREINGESTELLTER WERT
DELAY LEVEL	1	L DELAY	0ms ~ 738ms	0ms
			0mm ~ 251m	0mm
	2	R DELAY	0i ~ 822f	0i
			0ms ~ 738ms	0ms
PARAMETER	3	L OUT LEVEL	0 ~ 100	100
	4	R OUT LEVEL	0 ~ 100	100
	1	GAIN	6dB, 12dB, 18dB	12dB
	2	Q	Low, High	High
	3	F CENTER	20Hz ~ 16.0kHz	125kHz
	4	F DEPTH	1oct ~ 8oct	4oct
	5	SHIFT	Up, Down	Up
6	SENSITIVITY	1 ~ 10	5	
BYPASS	7	DECAY	1 ~ 10	5
	1	BYPASS	ON, OFF	OFF

27. DYN. PEQ LFO

This program creates a dynamic sweep peak-filter effect controlled by an internal LFO (Low Frequency Oscillator). An LFO FREQ parameter sets the speed of the sweep between 0.1 and 10 Hz. The center frequency (F CENTER) can be set anywhere from 20 Hz to 16 kHz, and the sweep range (F DEPTH) can be set between 0.1 octave and 4 octaves. The gain of the filter peak can be set to 6, 12 or 18 dB, and the Q (bandwidth) of the filter response can be set to low or high. A foot controller can be used to control F DEPTH or LFO FREQ. When using a foot controller to control these parameters, parameter changes will appear on the LCD in real time if the corresponding parameter is selected.

Cette programmation crée un effet de balayage de fréquence dynamique contrôlé par un "OBF" (oscillateur de basse fréquence) interne. Le paramètre LFO FREQ (fréquence de l'oscillateur de basse fréquence) règle la vitesse du balayage entre 0,1 et 10,0Hz. La fréquence centrale (F CENTER) peut être réglée n'importe où, de 20Hz à 16kHz et la plage du balayage (F DEPTH) peut être réglée entre 0,1 octave et 4 octaves. Le gain du filtre peut être réglé à 6, 12, ou 18dB, le facteur "Q" (largeur de bande) de la réponse du filtre peut être réglé sur une position large ou étroite. Un contrôleur au pied peut être utilisé pour contrôler le paramètre F DEPTH ou LFO FREQ. Si l'on utilise un contrôleur au pied pour contrôler des paramètres, les changements de paramètre vont apparaître sur l'ACL en temps réel, si le paramètre correspondant est choisi.

In diesem Programm wird die Mittenfrequenz des Glockenfilters automatisch von einem Niederfrequenz-Oszillator gesteuert. Der Parameter LFO FREQ legt die Oszillatorfrequenz auf einen Wert zwischen 0,1 und 10,0 Hz fest. Die Mittenfrequenz (F CENTER) läßt sich auf einen beliebigen Wert zwischen 20 Hz und 16 kHz und der Frequenzhub (F DEPTH) zwischen einer Oktave und vier Oktaven einstellen. Die Verstärkung des Filterspitzenwerts kann auf 6, 12 oder 18 dB eingestellt werden. Der Q-Wert (Güte) des Filterfrequenzgangs kann auf "Niedrig" oder "Hoch" gestellt werden und es steht ein ansteigender oder abfallender Frequenzhub zur Wahl. Zur Steuerung der Parameter F DEPTH und LFO FREQ kann auch ein Schwellerpedal eingesetzt werden. In diesem Fall ändern sich die Parameterwerte auf dem LCD-Display in Echtzeit, sobald der entsprechende Parameter gewählt wird.

PARAMETER SELECT KEY TOUCHE DE SELECTION DE PARAMETRE TASTE FÜR PARAMETERWAHL	No. N° Nr.	PARAMETER PARAMETRE PARAMETER	RANGE PLAGE EINSTELLBEREICH	PRESET VALUE VALEUR PREREGLEE VOREINGESTELLTER WERT
DELAY/ LEVEL	1	L DELAY	0ms ~ 738ms	0ms
			0mm ~ 251m	0mm
			0i ~ 822f	0i
	2	R DELAY	0ms ~ 738ms	0ms
0mm ~ 251m			0mm	
0i ~ 822f			0i	
PARAM- ETER	3	L OUT LEVEL	0 ~ 100	100
	4	R OUT LEVEL	0 ~ 100	100
	1	GAIN	6dB, 12dB, 18dB	12dB
	2	Q	Low, High	Low
	3	F CENTER	20Hz ~ 16.0kHz	1.00kHz
	4	F DEPTH	0.1oct ~ 4.0oct	2.0oct
BYPASS	5	LFO FREQ	0.1Hz ~ 10.0Hz	3.3Hz
	6	Ft. CTRL	OFF, F DEPTH, LFO FRQ	OFF
	1	BYPASS	ON, OFF	OFF

28. DYN. FILTER FC

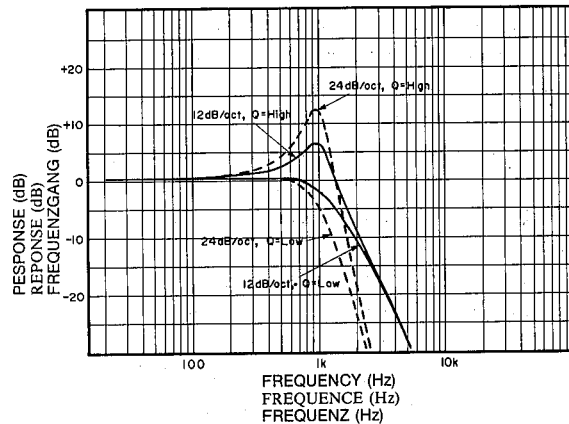
Like program number 25, above, this program offers foot-controlled dynamic sweep filter effects. This program offers a choice of filter types: low-pass, high-pass, bandpass 1 (1-octave bandwidth), bandpass 2 (2-octave bandwidth) or bandpass 4 (4-octave bandwidth). The slope of the filter response can be set to 6 or 12 dB. A rising sweep or falling sweep can also be selected.

Tout comme la programmation n° 9 ci-dessus, cette programmation offre des effets de filtre à balayage dynamique contrôlables au pied. Elle offre également un choix de types de filtres: passe-bas, passe-haut, passe-bande 1 (largeur de bande d'1 octave), passe-bande 2 (largeur de bande de 2 octaves), ou passe-bande 4 (largeur de bande de 4 octaves). La pente de la réponse du filtre peut être réglée sur 12 ou 24dB et, de plus, il est possible de sélectionner un balayage montant ou descendant.

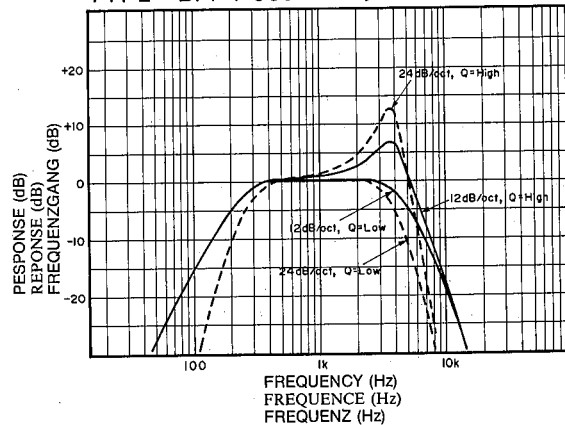
Wie bei Programm Nummer 9 sind auch in diesem Fall Effekte eines fußgesteuerten dynamischen Glockenfilters simulierbar. Man kann unter verschiedenen Filterarten wählen: Tiefpaß, Hochpaß, Bandpaß 1 (Bandbreite 1 Oktave), Bandpaß 2 (Bandbreite 2 Oktaven) oder Bandpaß 4 (Bandbreite 4 Oktaven). Die Flankensteilheit der Filterkurve läßt sich auf 12 oder 24 dB einstellen. Außerdem kann auch ein ansteigender oder abfallender Hub gewählt werden.

PARAMETER SELECT KEY TOUCHE DE SÉLECTION DE PARAMÈTRE TASTE FÜR PARAMETERWAHL	No. N° Nr.	PARAMETER PARAMÈTRE PARAMETER	RANGE PLAGE EINSTELLBEREICH	PRESET VALUE VALEUR PRÉREGLÉE VOREINGESTELLTER WERT
DELAY/ LEVEL	1	L DELAY	0ms ~ 738ms 0mm ~ 251m 0i ~ 822f	0ms 0mm 0i
	2	R DELAY	0ms ~ 738ms 0mm ~ 251m 0i ~ 822f	0ms 0mm 0i
	3	L OUT LEVEL	0 ~ 100	100
	4	R OUT LEVEL	0 ~ 100	100
PARAM- ETER	1	TYPE	LPF, HPF, BPF1oct, BPF2oct, BPF4oct	LPF
	2	SLOPE	12dB/oct, 24dB/oct	12dB/oct
	3	Q	Low, High	High
	4	SHIFT	Up, Down	Up
	5	CONTROL	Ft. CTRL, MIDI Ft, NOTE #	Ft. CTRL
BYPASS	1	BYPASS	ON, OFF	OFF

TYPE = LPF



TYPE = BPF4 oct



29. DYN. FILTER LEVEL

This program creates a dynamic sweep filter effect controlled by the level of the input signal. A choice of filter types is provided: low-pass, high-pass, bandpass 1 (1-octave bandwidth), bandpass 2 (2-octave bandwidth) or bandpass 4 (4-octave bandwidth). The slope of the filter response can be set to 12 or 24 dB. A SENSITIVITY parameter determines the threshold input signal level before the filter sweep is activated, and a DECAY parameter determines how long it takes for the filter to sweep back to the center frequency after maximum sweep has been reached. The center frequency (F CENTER) can be set anywhere from 20 Hz to 16 kHz, and the sweep range (F DEPTH) can be set between 1 octave and 8 octaves. A rising or falling sweep can also be selected.

Cette programmation offre des effets de balayage de fréquence dynamique contrôlés par le niveau du signal d'entrée. Elle offre également un choix de types de filtres: passe-bas, passe-haut, passe-bande 1 (largeur de bande d'1 octave), passe-bande 2 (largeur de bande de 2 octaves), ou passe-bande 4 (largeur de bande de 4 octaves). La pente de la réponse du filtre peut être réglée sur 12 ou 24dB. Le paramètre SENSITIVITY (sensibilité) détermine le seuil du niveau du signal d'entrée avant que le balayage du filtre ne soit activé. Le paramètre DECAY (chute) détermine la durée nécessaire au filtre pour faire revenir le balayage sur la fréquence centrale, après que le balayage maximal est atteint. La fréquence centrale (F CENTER) peut être réglée n'importe où, de 20Hz à 16kHz et la plage du balayage (F DEPTH) peut être réglée entre 1 octave et 8 octaves. De plus, il est possible de sélectionner un balayage montant ou descendant.

Dieses Programm erzeugt einen Effekt wie bei einem dynamischen Glockenfilter, der vom Eingangssignalpegel gesteuert wird. Man kann unter verschiedenen Filterarten wählen: Tiefpaß, Hochpaß, Bandpaß 1 (Bandbreite 1 Oktave), Bandpaß 2 (Bandbreite 2 Oktaven) oder Bandpaß 4 (Bandbreite 4 Oktaven). Die Flankensteilheit der Filterkurve läßt sich auf 12 oder 24 dB einstellen. Der Parameter SENSITIVITY (Empfindlichkeit) legt den Schwellenwert des Eingangssignalpegels zur Aktivi-

PARAMETER SELECT KEY TOUCHE DE SELECTION DE PARAMETRE TASTE FÜR PARAMETERWAHL	No. N ° Nr.	PARAMETER PARAMETRE PARAMETER	RANGE PLAGE EINSTELLBEREICH	PRESET VALUE VALEUR PREREGLEE VOREINGESTELLTER WERT
DELAY/ LEVEL	1	L DELAY	0ms ~ 738ms	0ms
			0mm ~ 251m	0mm
	2	R DELAY	0i ~ 822f	0i
			0ms ~ 738ms	0ms
			0mm ~ 251m	0mm
			0i ~ 822f	0i
PARAM- ETER	3	L OUT LEVEL	0 ~ 100	100
	4	R OUT LEVEL	0 ~ 100	100
	1	TYPE	LPF, HPF, BPF1oct, BPF2oct, BPF4oct	LPF
	2	SLOPE	12dB/oct, 24dB/oct	24dB/oct
	3	Q	Low, High	High
	4	F CENTER	20Hz ~ 16.0kHz	250kHz
	5	F DEPTH	1oct ~ 8oct	4oct
	6	SHIFT	Up, Down	Up
7	SENSITIVITY	1 ~ 10	5	
8	DECAY	1 ~ 10	5	
BYPASS	1	BYPASS	ON, OFF	OFF

erung des Durchstimmvorgangs fest und durch den Parameter DECAY (Abfalldauer) wird die Zeitspanne festgelegt, in der der Filter nach Erreichen des maximalen Frequenzhubes zur Mittenfrequenz zurückkehrt. Die Mittenfrequenz (F CENTER) läßt sich auf einen beliebigen Wert zwischen 20 Hz und 16 kHz und der Hubbereich (F DEPTH) zwischen einer Oktave und acht Oktaven einstellen. Die Wahl zwischen ansteigendem oder abfallendem Frequenzhub ist ebenfalls möglich.

30. DYN. FILTER LFO

This program creates a dynamic sweep filter effect controlled by an internal LFO (Low Frequency Oscillator). An LFO FREQ parameter sets the speed of the sweep between 0.1 and 10 Hz. A choice of filter types is provided: low-pass, high-pass, bandpass 1 (1-octave bandwidth), bandpass 2 (2-octave bandwidth) or bandpass 4 (4-octave bandwidth). The slope of the filter response can be set to 12 or 24 dB. The center frequency (F CENTER) can be set anywhere from 20 Hz to 16 kHz, and the sweep range (F DEPTH) can be set between 1 octave and 4 octaves. A foot controller can be used to control F DEPTH or LFO FREQ.

Cette programmation crée un effet de balayage dynamique du filtre contrôlé par un "OBF" (oscillateur de basse fréquence) interne. Le paramètre LFO FREQ (fréquence de l'oscillateur de basse fréquence) règle la vitesse du balayage entre 0,1 et 10,0Hz. Un choix de types de filtres est prévu: passe-bas, passe-haut, passe-bande 1 (largeur de bande d'1 octave), passe-bande 2 (largeur de bande de 2 octaves), ou passe-bande 4 (largeur de bande de 4 octaves). La pente de la réponse du filtre peut être réglée sur 12 ou 24dB. La fréquence centrale (F CENTER) peut être réglée n'importe où, de 20Hz à 16kHz et la plage du balayage (F DEPTH) peut être réglée entre 1 octave et 4 octaves. Un contrôleur au pied peut être utilisé pour contrôler le paramètre F DEPTH ou LFO FREQ.

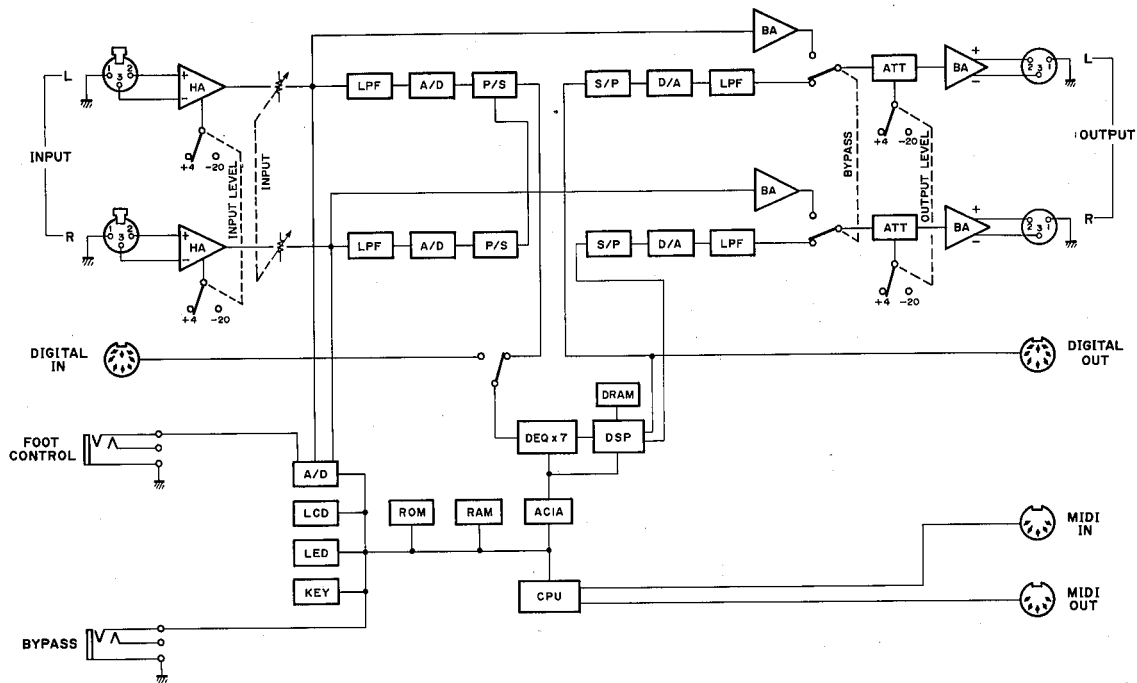
Dieses Programm erzeugt einen Effekt wie bei einem dynamischen Glockenfilter, der vom einem internen Niederfrequenzoszillator (LFO) gesteuert wird. Der Parameter LFO FREQ bestimmt die Oszillatorfrequenz in einem Wertebereich zwischen 0,1 und 10,0 Hz. Es kann unter verschiedenen Filterarten gewählt werden: Tiefpaß, Hochpaß, Bandpaß 1 (Bandbreite 1 Oktave), Bandpaß 2 (Bandbreite 2 Oktaven) oder Bandpaß 4 (Bandbreite 4 Oktaven). Die Flankensteilheit der Filterkurve läßt sich auf 12 oder 24 dB einstellen. Die Mittenfrequenz (F CENTER) läßt sich auf einen beliebigen Wert zwischen 20 Hz und 16 kHz und der Frequenzhub (F DEPTH) zwischen einer Oktave und vier Oktaven einstellen. Zur Steuerung der Parameter F DEPTH und LFO FREQ kann auch ein Schwellerpedal herangezogen werden.

PARAMETER SELECT KEY TOUCHE DE SELECTION DE PARAMETRE TASTE FÜR PARAMETERWAHL	No. N ° Nr.	PARAMETER PARAMETRE PARAMETER	RANGE PLAGE EINSTELLBEREICH	PRESET VALUE VALEUR PREREGLEE VOREINGESTELLTER WERT	
PARAMETER	1	L DELAY	0ms ~ 738ms	0ms	
			0mm ~ 251m	0mm	
			0i ~ 822f	0i	
	2	R DELAY	0ms ~ 738ms	0ms	
0mm ~ 251m			0mm		
0i ~ 822f			0i		
DELAY/LEVEL	3	L OUT LEVEL	0 ~ 100	100	
	4	R OUT LEVEL	0 ~ 100	100	
	1	TYPE	LPF, HPF, BPF1oct, BPF2oct, BPF4oct	LPF	
			2	SLOPE	12dB/oct, 24dB/oct
3			Q	Low, High	High
BYPASS	4	F CENTER	20Hz ~ 16.0kHz	500kHz	
	5	F DEPTH	0.1oct ~ 4.0oct	2.0oct	
	6	LFO FREQ	0.10Hz ~ 10Hz	2.2Hz	
	7	Ft. CTRL	OFF, F DEPTH, LFO FRQ	OFF	
BYPASS	1	BYPASS	ON, OFF	OFF	

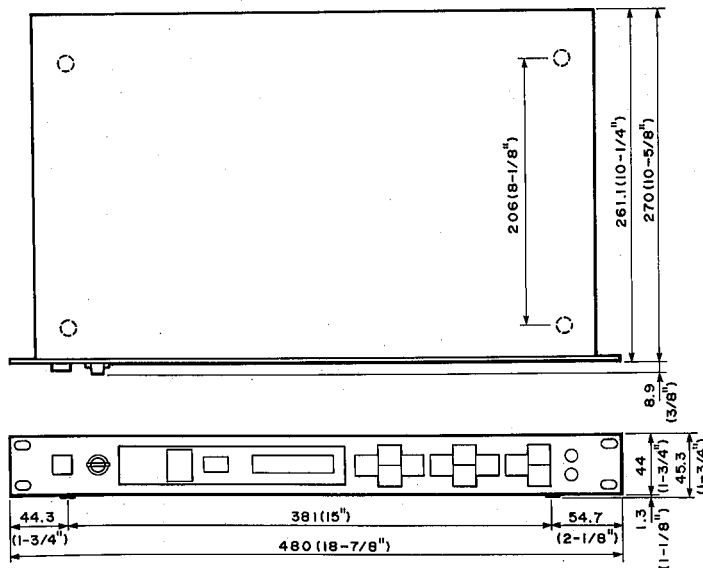
Function ...	Transmitted	Recognized	Remarks
Basic Default	x	1 - 16, off	memorized
Channel Changed	x	1 - 16, off	
Mode Default	x	OMNlon/OMNloff	memorized
Mode Messages	x	x	
Mode Altered	*****	x	
Note Number : True voice	x	0 - 127	
Velocity Note ON	x	x	
Velocity Note OFF	x	x	
After Key's	x	x	
Touch Ch's	x	x	
Pitch Bender	x	x	
Control Change	4 : x	o	Foot Controller
Prog Change : True #	x	o 0 - 127 *1	
System Exclusive	o	o	Bulk dump
System : Song Pos	x	x	
System : Song Sel	x	x	
Common : Tune	x	x	
System : Clock	x	x	
Real Time : Commands	x	x	
Aux : Local ON/OFF	x	x	
Aux : All Notes OFF	x	x	
Mes- : Active Sense	x	x	
sages:Reset	x	x	

Notes: *1 For program 1 - 128, memory #1 - #90 is selected.

BLOCK DIAGRAM SCHEMA DE PRINCIPE BLOCKDIAGRAMM



DIMENSIONS DIMENSIONS ABMESSUNGEN



Unit : mm (inch)
Unité : mm (pouce)
Einheit : mm (Zoll)

BLANK CHART

FORMULAIRE

PROGRAMMIERVORDRUCKE



USER PROGRAMMING TABLE

FORMULAIRE TABLEAU DE PROGRAMMATION DE L'UTILISATEUR

PROGRAMMIERTABELLE

Date:
Date:
Datum:

Programmer:
Programmeur:
Name:

Memory No. N° de mémoire Speicherplatz, Nr.	Program Title Titre de la programmation Programmtitel	Memory No. N° de mémoire Speicherplatz, Nr.	Program Title Titre de la programmation Programmtitel	Memory No. N° de mémoire Speicherplatz, Nr.	Program Title Titre de la programmation Programmtitel
31		51		71	
32		52		72	
33		53		73	
34		54		74	
35		55		75	
36		56		76	
37		57		77	
38		58		78	
39		59		79	
40		60		80	
41		61		81	
42		62		82	
43		63		83	
44		64		84	
45		65		85	
46		66		86	
47		67		87	
48		68		88	
49		69		89	
50		70		90	



**PROGRAM CHANGE NUMBER VS MEMORY (PROGRAM) NUMBER
NUMEROS DE CHANGEMENT DE PROGRAMME CONTRE NUMEROS
(DE PROGRAMMATION) DE MEMOIRE
ZUORDNUNG VON PROGRAMM-WECHSELNUMMER UND SPEICHER-
PLATZNUMMER**

Date:
Date:
Datum:

Programmer:
Programmeur:
Name:

PGM 1	MEM	PGM 44	MEM	PGM 87	MEM
PGM 2	MEM	PGM 45	MEM	PGM 88	MEM
PGM 3	MEM	PGM 46	MEM	PGM 89	MEM
PGM 4	MEM	PGM 47	MEM	PGM 90	MEM
PGM 5	MEM	PGM 48	MEM	PGM 91	MEM
PGM 6	MEM	PGM 49	MEM	PGM 92	MEM
PGM 7	MEM	PGM 50	MEM	PGM 93	MEM
PGM 8	MEM	PGM 51	MEM	PGM 94	MEM
PGM 9	MEM	PGM 52	MEM	PGM 95	MEM
PGM 10	MEM	PGM 53	MEM	PGM 96	MEM
PGM 11	MEM	PGM 54	MEM	PGM 97	MEM
PGM 12	MEM	PGM 55	MEM	PGM 98	MEM
PGM 13	MEM	PGM 56	MEM	PGM 99	MEM
PGM 14	MEM	PGM 57	MEM	PGM 100	MEM
PGM 15	MEM	PGM 58	MEM	PGM 101	MEM
PGM 16	MEM	PGM 59	MEM	PGM 102	MEM
PGM 17	MEM	PGM 60	MEM	PGM 103	MEM
PGM 18	MEM	PGM 61	MEM	PGM 104	MEM
PGM 19	MEM	PGM 62	MEM	PGM 105	MEM
PGM 20	MEM	PGM 63	MEM	PGM 106	MEM
PGM 21	MEM	PGM 64	MEM	PGM 107	MEM
PGM 22	MEM	PGM 65	MEM	PGM 108	MEM
PGM 23	MEM	PGM 66	MEM	PGM 109	MEM
PGM 24	MEM	PGM 67	MEM	PGM 110	MEM
PGM 25	MEM	PGM 68	MEM	PGM 111	MEM
PGM 26	MEM	PGM 69	MEM	PGM 112	MEM
PGM 27	MEM	PGM 70	MEM	PGM 113	MEM
PGM 28	MEM	PGM 71	MEM	PGM 114	MEM
PGM 29	MEM	PGM 72	MEM	PGM 115	MEM
PGM 30	MEM	PGM 73	MEM	PGM 116	MEM
PGM 31	MEM	PGM 74	MEM	PGM 117	MEM
PGM 32	MEM	PGM 75	MEM	PGM 118	MEM
PGM 33	MEM	PGM 76	MEM	PGM 119	MEM
PGM 34	MEM	PGM 77	MEM	PGM 120	MEM
PGM 35	MEM	PGM 78	MEM	PGM 121	MEM
PGM 36	MEM	PGM 79	MEM	PGM 122	MEM
PGM 37	MEM	PGM 80	MEM	PGM 123	MEM
PGM 38	MEM	PGM 81	MEM	PGM 124	MEM
PGM 39	MEM	PGM 82	MEM	PGM 125	MEM
PGM 40	MEM	PGM 83	MEM	PGM 126	MEM
PGM 41	MEM	PGM 84	MEM	PGM 127	MEM
PGM 42	MEM	PGM 85	MEM	PGM 128	MEM
PGM 43	MEM	PGM 86	MEM		

Litiumbatteri!
Bör endast bytas av servicepersonal.
Explosionsfara vid felaktig hantering.

VAROITUS!
Lithiumparisto, Räjähdyksvaara.
Pariston saa vaihtaa ainoastaan alan
ammattimies.

ADVARSEL!
Litiumbatteri!
Ekspløsningsfare. Udskiftning må kun foretages
af en sagkyndig, – og som beskrevet i
servicemanualen.

YAMAHA