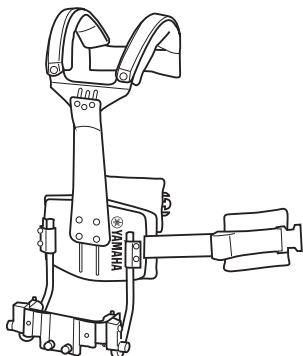


マーチングドラムキャリア
Marching Drum Carrier
行进鼓固定器

取扱説明書
Owner's Manual
使用说明书

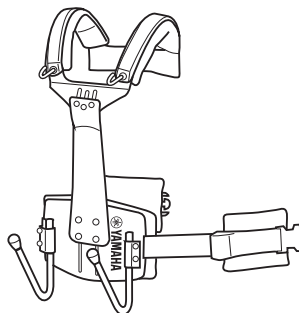
MSH9500 MSH9500S

マーチングスネアドラム用
for Marching Snare Drum
适用于行进小军鼓



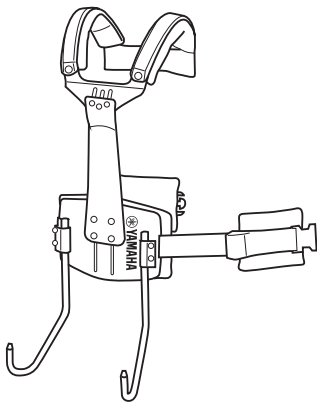
MBH9500 MBH9500S

マーチングバスドラム用
for Marching Bass Drum
适用于行进大军鼓



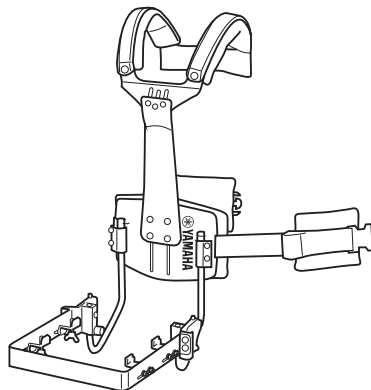
MTH9500 MTH9500S

マーチングマルチタム用
for Marching Multi-Toms
适用于行进组鼓



MKH9500 MKH9500S

マーチングベル&マーチングシロフォン用
for Marching Bell & Marching Xylophone
适用于行进钢片琴&行进木琴



Marching Drum Carrier

Owner's Manual

MSH9500 MSH9500S

for Marching Snare Drum

MBH9500 MBH9500S

for Marching Bass Drum

MTH9500 MTH9500S

for Marching Multi-Toms

MKH9500 MKH9500S

for Marching Bell & Marching Xylophone

PRECAUTIONS

PLEASE READ CAREFULLY BEFORE PROCEEDING

Always follow the basic precautions listed below to avoid the possibility of physical injury to you or others, or damage to the instrument or other property.

When children use the product, make sure that a guardian provides through instruction as given in this manual. Please keep this manual in a safe and handy place for future reference.



CAUTION

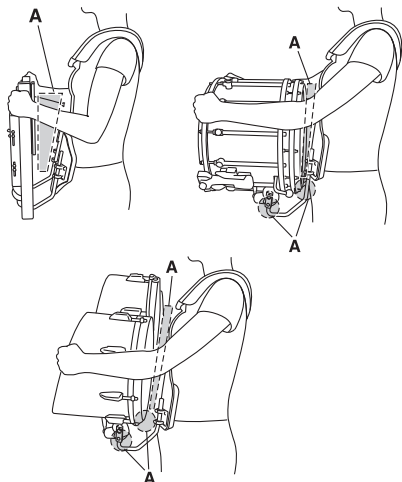
Always follow the basic precautions listed below to avoid the possibility of physical injury to you or others, or damage to the instrument or other property. These precautions include, but are not limited to, the following:

Assembly

- Tighten all screws securely once adjustments have been made. If any screw is loose there is a danger that the drum may slip during performances or extraneous noises may be produced.
- To adjust the carrier use the provided tools only. Failure to do so can cause the instrument falling over or result in injury.

Handling cautions

- When tilting up the instrument always hold the instrument with your hand as it might flip back and injure bystanders.
- When tilting the instrument up or returning it to the playing position, keep your hands away from areas marked A as shown in the illustration. Hands and/or fingers can get caught in this area resulting in injury.
- Do not engage in any operation other than playing instrument while wearing the carrier. This may cause loss of balance and result in injury.
- When taking off and putting down the carrier or the carrier with the instrument mounted, do so gently. Do not drop or throw the carrier or the carrier with the instrument mounted.
- Always take suitable breaks when using the carrier for a long period of time. Using the carrier when fatigued can cause injury.
- If some of the parts are broken and/or lost, immediately stop using the carrier. Using a defective carrier can cause injury.



Yamaha cannot be responsible for damage caused by improper use or modifications to the instrument.

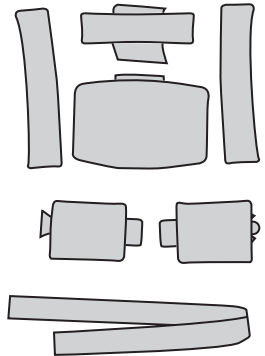
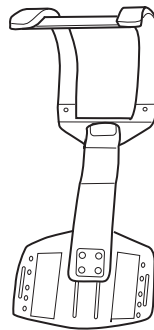
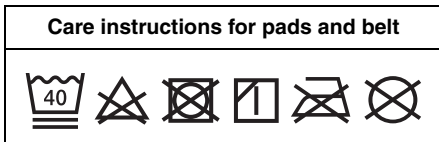
Notice

■ Handling

- The black coatings on the surface might be removed by friction. This is no problem and does not affect the functionality or durability of the product.
- Always use the carrier with all the bolts securely tightened. Failure to do so can cause the instrument to fall over or loss of parts of the carrier.
- When tilting up the instrument make sure that the instrument does not hit against the carrier. Failure to do so can cause damage to the instrument or the parts of the carrier.
- Avoid using the carrier in the rain whenever possible. If the carrier does get wet, wipe it with a soft, dry cloth as soon as possible. Leaving the carrier wet can result in it becoming rusted.

■ Maintenance

- When cleaning the carrier, use a soft and dry cloth. Do not use benzine or paint thinners. Doing so might cause damage to the paint surface.
- You can remove the pads and belt from the carrier and wash them at home. When washing the pads and belt, do not put them in a dryer at high temperatures. Doing so might deform the pads and belt.

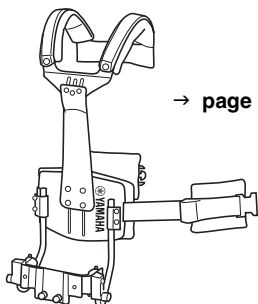


Welcome

Thank you for purchasing the Yamaha Marching Drum Carrier. This product is a carrier for marching instruments, designed with enhanced adjustability to fit different body sizes. Please read this Owner's Manual carefully before using the product in order to take full advantage of its various features. When you have finished reading the manual, keep it in a safe, accessible place, and refer to it when you need to better understand an operation or function.

MSH9500 MSH9500S

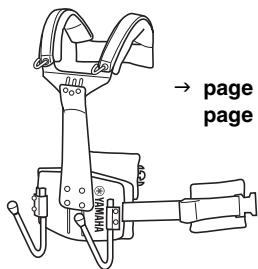
for Marching Snare Drum



→ page 5 - 10

MBH9500 MBH9500S

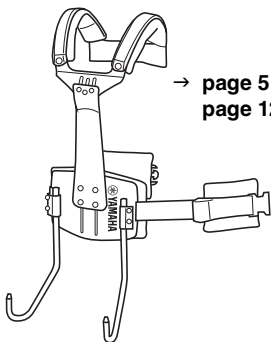
for Marching Bass Drum



→ page 5 - 7
page 11

MTH9500 MTH9500S

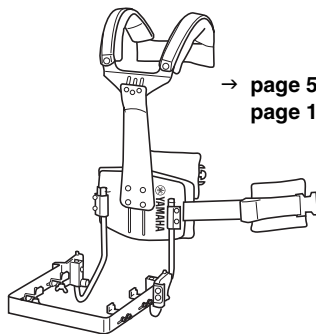
for Marching Multi-Toms



→ page 5 - 7
page 12

MKH9500 MKH9500S

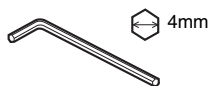
for Marching Bell & Marching Xylophone



→ page 5 - 7
page 13 - 14

Accessories

- Hexagonal Wrench



4mm

- Wrench 8mm
(MSH9500 MSH9500S
MKH9500 MKH9500S only)



- Wrench 10mm
(MSH9500 MSH9500S only)



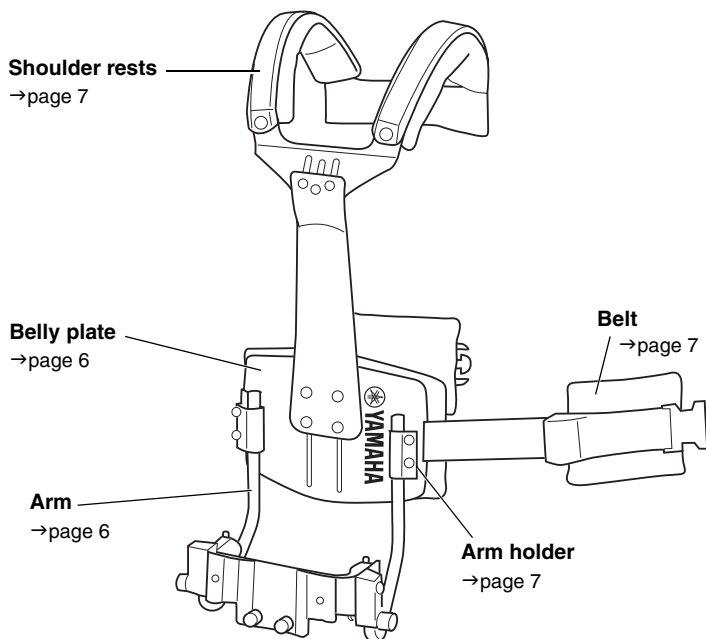
- Owner's Manual
(this book)

- Warranty

Adjusting the Carrier **ALL MODELS**

Carriers can be adjusted to fit different body sizes. Make sure to adjust the carrier to the player before mounting the instrument on the carrier. The adjustable parts are the same for all carrier models.

Intended only for instructional purposes, the illustration below shows the carrier for the marching snare drum (MSH9500, MSH9500S).



Arms

By adjusting the arms, the mounting position of the instrument can be changed.

- 1 Adjust the height of the arms and the spread angles.
- 2 Tighten the bolts of the arm holders with a tuning key.

NOTICE

Always tighten the bolts with the arms passing through the arm holders. Otherwise, the holders might be deformed.

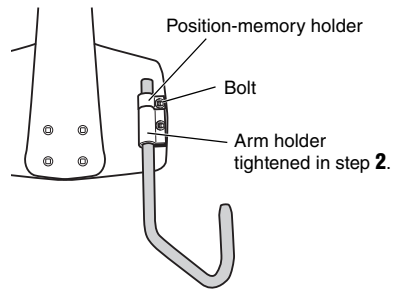
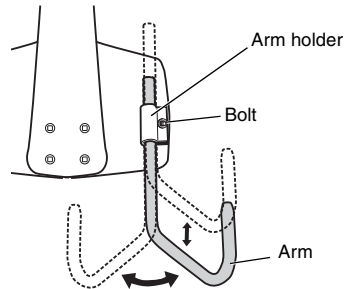
When you remove an instrument from the carrier to put the carrier away or to move it to other places, the arms can be folded for safe transport.

To mark the arm holder positions tighten the bolts of the position-memory holders.

- 3 Place the position-memory holders on top of the arm holders tightened in step 2.
- 4 Use a tuning key to tighten the bolts of the position-memory holders.

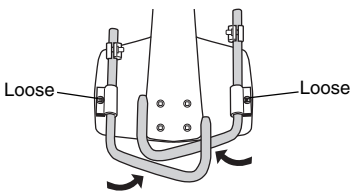
NOTICE

Always tighten the bolts with the arms passing through the arm holders. Otherwise, the holders might be deformed.



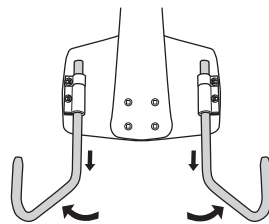
Folded

Both bolts of the arm holders are loosened.



Reset

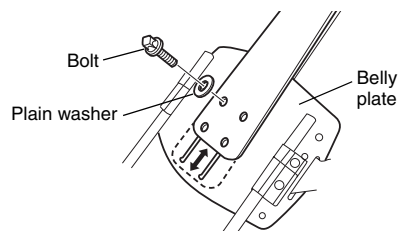
Refix the arm holders at marked positions with position-memory holders.



Belly plate

By adjusting the belly plate, the height can be changed to suit your stature.

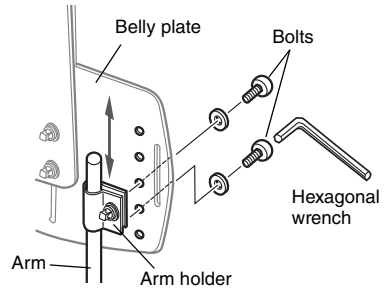
- 1 Adjust the height of the belly plate.
- 2 Use a tuning key to tighten the four bolts.



Adjusting the arm position

When the height is not sufficient, change the arm attachment positions on the belly plate. The height can be adjusted in four levels.

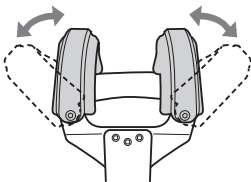
- 1 Adjust the height of arm position.
- 2 Use the supplied hexagonal wrench to tighten the two bolts. Fix the arm holders to the belly plate.



Shoulder rests

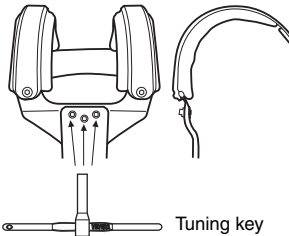
For more comfortable playing posture, the shoulder rests can be adjusted.

■ Adjusting the width

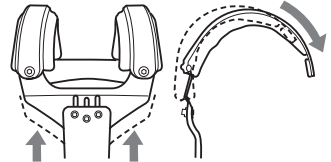


■ Adjusting the angles

When set to the most forward:



When set to the most rearward:

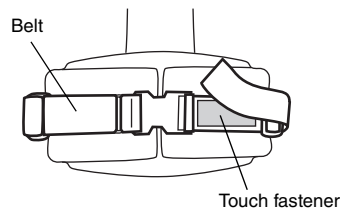


Belt

The belt helps to stabilize instrument while playing. Pull on both ends to fasten the belt.

! CAUTION

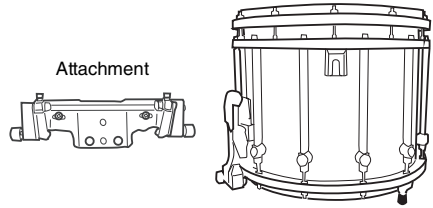
Do not engage in any operation other than playing instrument while wearing the carrier. This can cause loss of balance and result in injury.



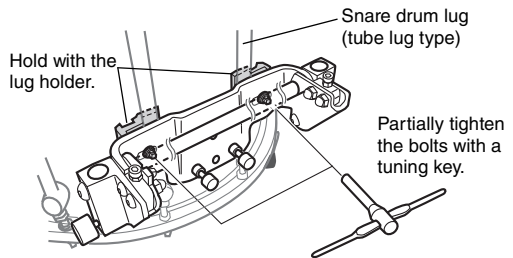
Make sure to install the attachment to the instrument before mounting the instrument on the carrier.

1. Installing the attachment to the instrument

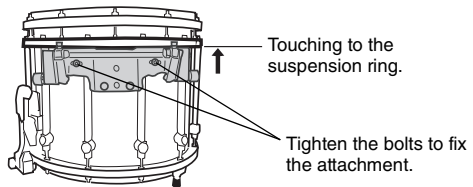
NOTE When installing the attachment to a snare drum with a slide-attachment, follow the instructions of “Previous settings for snare drum with slide-attachment” on page 9.



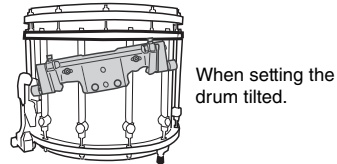
- 1 Hold the tube lugs with the lug holders of the attachment as shown in the illustration. Use a tuning key to tighten the both bolts.



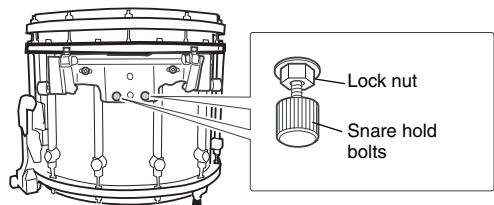
- 2 To prevent the snare drum from slipping down while playing it, make sure that the upper part of the attachment is always touching the suspension ring.
- 3 Use a tuning key to tighten both bolts and fix the attachment.



NOTE You can also set the drum tilted.



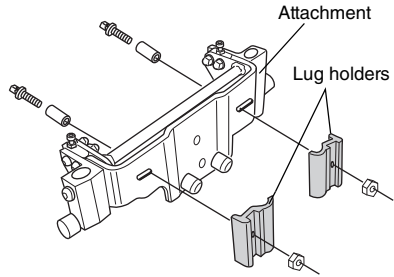
- 4 Tighten both snare hold bolts by hand to secure the attachment and prevent it from moving.
- 5 Use the supplied wrench (10mm) to tighten both lock nuts and fix the attachment.



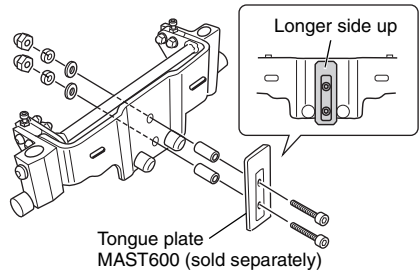
Previous settings for snare drum with slide-attachment

Before installing the attachment to the snare drum, you must remove the lug holders from the attachment and assemble the tongue plate MAST600 (sold separately).

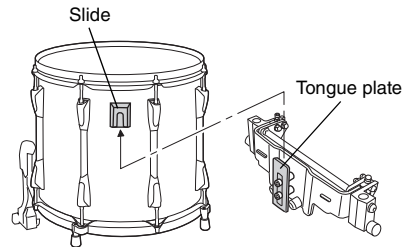
- 1 Remove both lug holders (see illustration) from the attachment.



- 2 Fix the tongue plate (sold separately) with the longer side up, on the center holes of attachment.

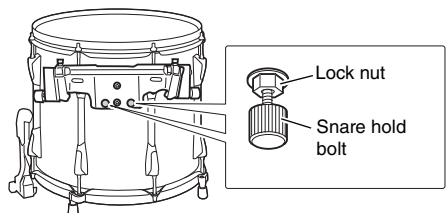


- 3 Insert the tongue plate assembled with the attachment into the slide of the snare drum.



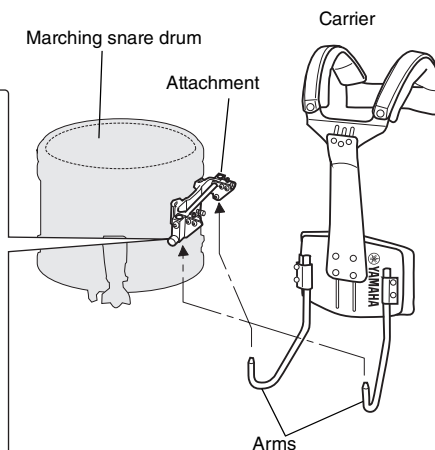
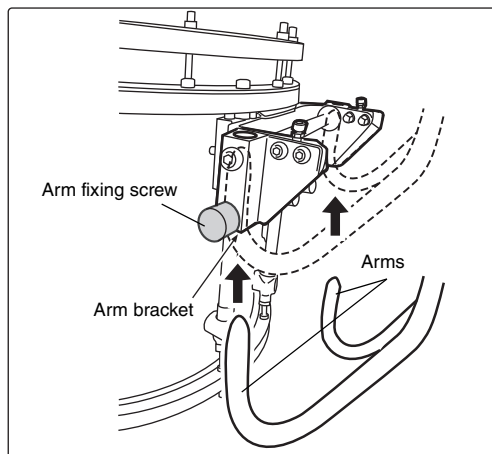
- 4 Tighten the snare hold bolts by hand to secure the attachment and prevent it from moving.

- 5 Use the supplied wrench (10mm) to tighten both lock nuts and fix the attachment to the snare drum.



2. Mounting the instrument on the carrier

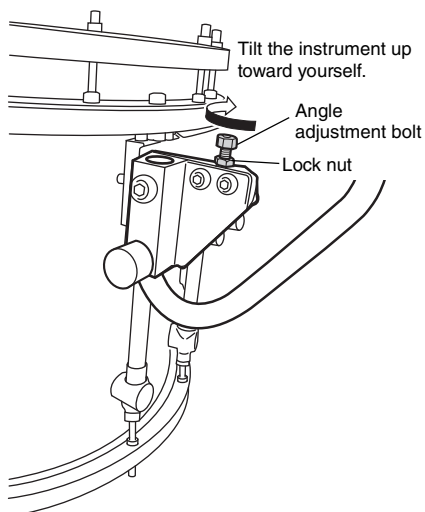
- 1 Insert the arms into the arm brackets of the attachment installed to the instrument.
- 2 Tighten the arm fixing screws by hand.

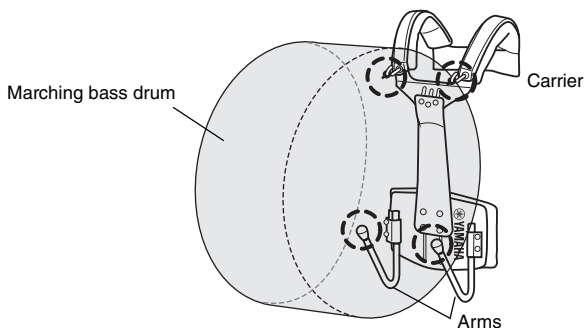


3. Adjusting the angle of the instrument

To adjust the angle, first put the carrier and instrument (properly mounted) down on a floor, for secure operation.

- 1 Turn the angle adjustment bolts on the right and left sides by hand to adjust the angles for the most comfortable playing position. Make sure that the angles are even.
- 2 Use the supplied wrench (8mm) to tighten the lock nut and fix the angle of the instrument.



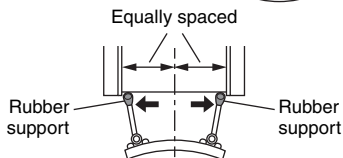
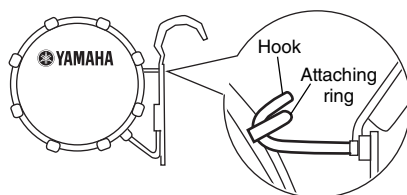


Mounting an instrument on the carrier

⚠ CAUTION

Mounting should be carried out by at least two persons.

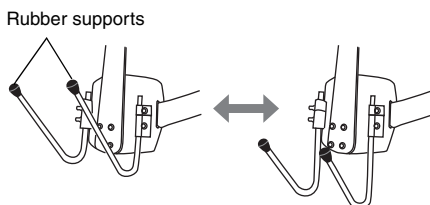
- 1 Snap the drum harness hooks into the bass drum attaching rings.
- 2 With the heads of the bass drum perpendicular to the drummer's body, open both the holder's right and left support arms so they are centered and hold the body of the drum firmly in place. Also, when making adjustments, make sure that the holder itself does not come into contact with the drum body and lugs.



Adjusting the height of the instrument

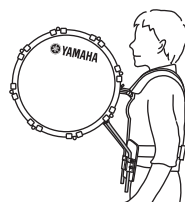
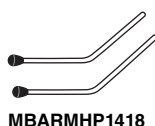
The height of the instrument can be changed by reversing the arms.

To reverse the arms, reposition the rubber supports.

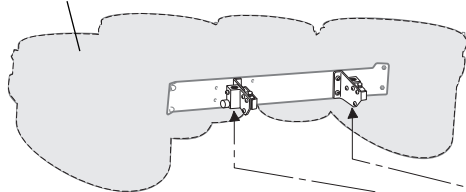


Arm MBARMHP1418 (sold separately)

With arms MBARMHP1418 (sold separately), an 18" bass drum can be mounted on the carrier at a high position (as shown).



Marching multi-toms

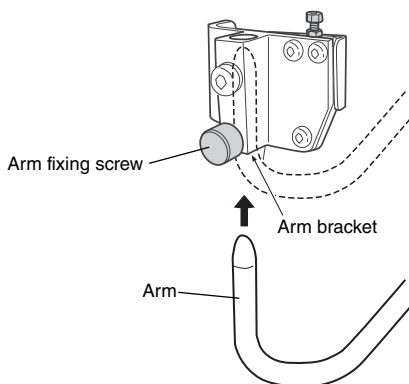


Carrier

Arms

1. Mounting the instrument on the carrier

- 1 Insert the arms of carrier into the arm brackets of the instrument.
- 2 Tighten the arm fixing screws by hand to fix the arms.

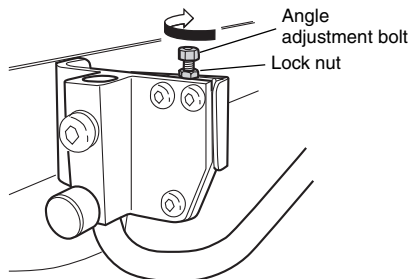


2. Adjusting the angle of the instrument

To adjust the angle, first put the carrier and instrument (properly mounted) down on a floor, for secure operation.

- 1 Turn the angle adjustment bolts on the right and left sides by hand to adjust the arms to the most comfortable playing angles. Make sure that the angles are even.
- 2 Use the wrench (8mm) supplied with the multi-toms to tighten the lock nuts and fix the angle of the instrument.

Tilt up the instrument toward yourself.



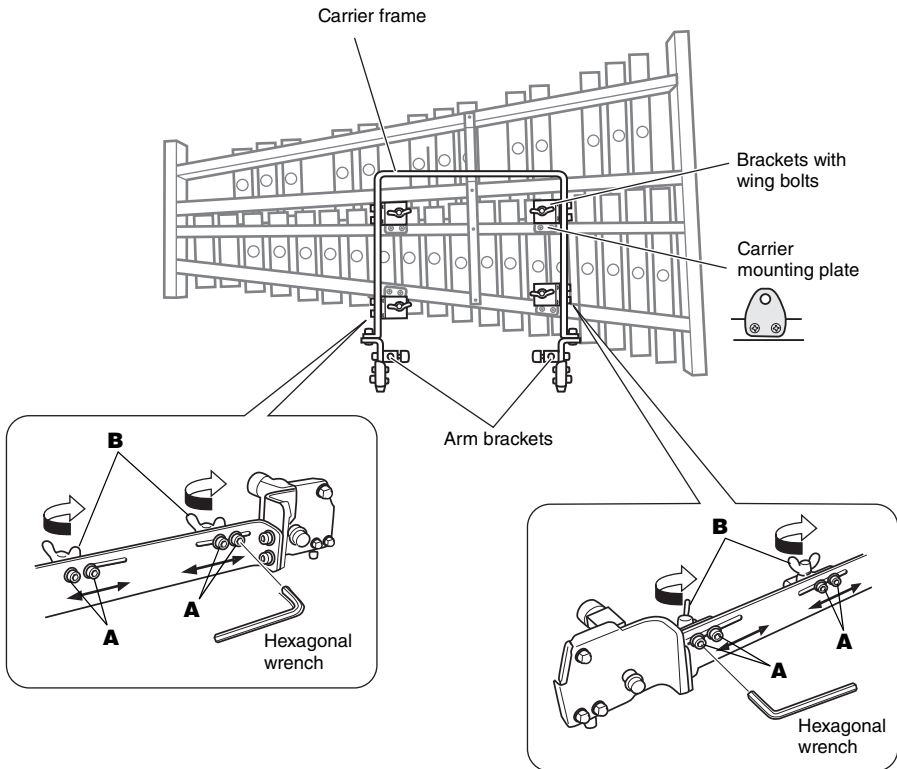
Make sure to install the frame to the instrument before mounting the instrument on the carrier.

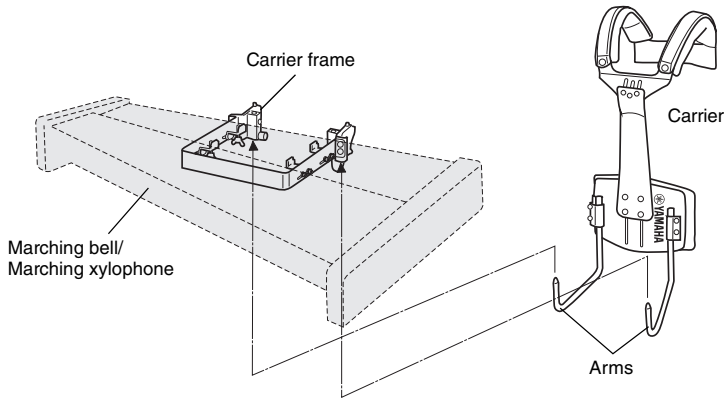
1. Installing the frame to the instrument

- 1 Lay the marching bell & xylophone face down.
- 2 Use the supplied hexagonal wrench to loosen the screws **A** on the carrier frame so that the brackets can slide.
- 3 Set the carrier frame on the instrument, as shown in the illustration below, and slide the brackets on the carrier frame so that they align with the carrier mounting plates on the bottom of the instrument.
- 4 Use the four fixing bolts **B** on the brackets to fix the carrier frame to the instrument. Tighten each of the four bolts little by little in succession until they are secure.
- 5 Use the supplied hexagonal wrench to firmly tighten the screws **A** on the carrier frame.

NOTE • To remove the carrier frame from the instrument, loosen the four fixing bolts **B**.

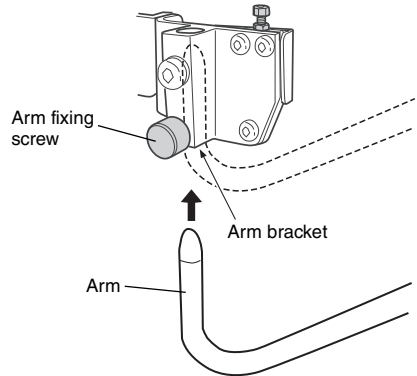
- If you are having trouble re-installing the carrier frame after it has been removed, go through the same procedure as described above.





2. Mounting the instrument on the carrier

- 1 Insert the arms of the carrier into the arm brackets of the carrier frame installed to the instrument.
- 2 Tighten the arm fixing screws by hand.

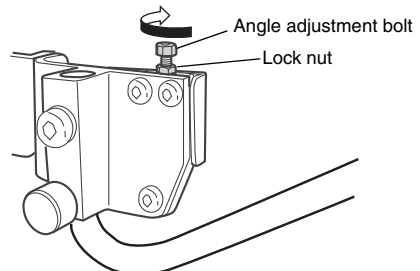


3. Adjusting the angle of the instrument

To adjust the angle, first put the carrier and instrument (properly mounted) down on a floor, for secure operation.

- 1 Turn the angle adjustment bolts on the right and left sides by hand to adjust the arms to the most comfortable playing angles. Make sure that the angles are even.
- 2 Use the supplied wrench (8mm) to tighten the lock nuts and fix the angle of the instrument.

Tilt the instrument up toward yourself.



ヤマハ株式会社

〒430-8650 静岡県浜松市中区中沢町10-1

* 都合により、住所、電話番号、名称、営業時間、URLなどが変更になる
場合がございますので、あらかじめご了承ください。

Manual Development Group
© 2017 Yamaha Corporation
Published 08/2018 改版 POCP*.***C0
Printed in Japan

ZW01190 版次 : C0